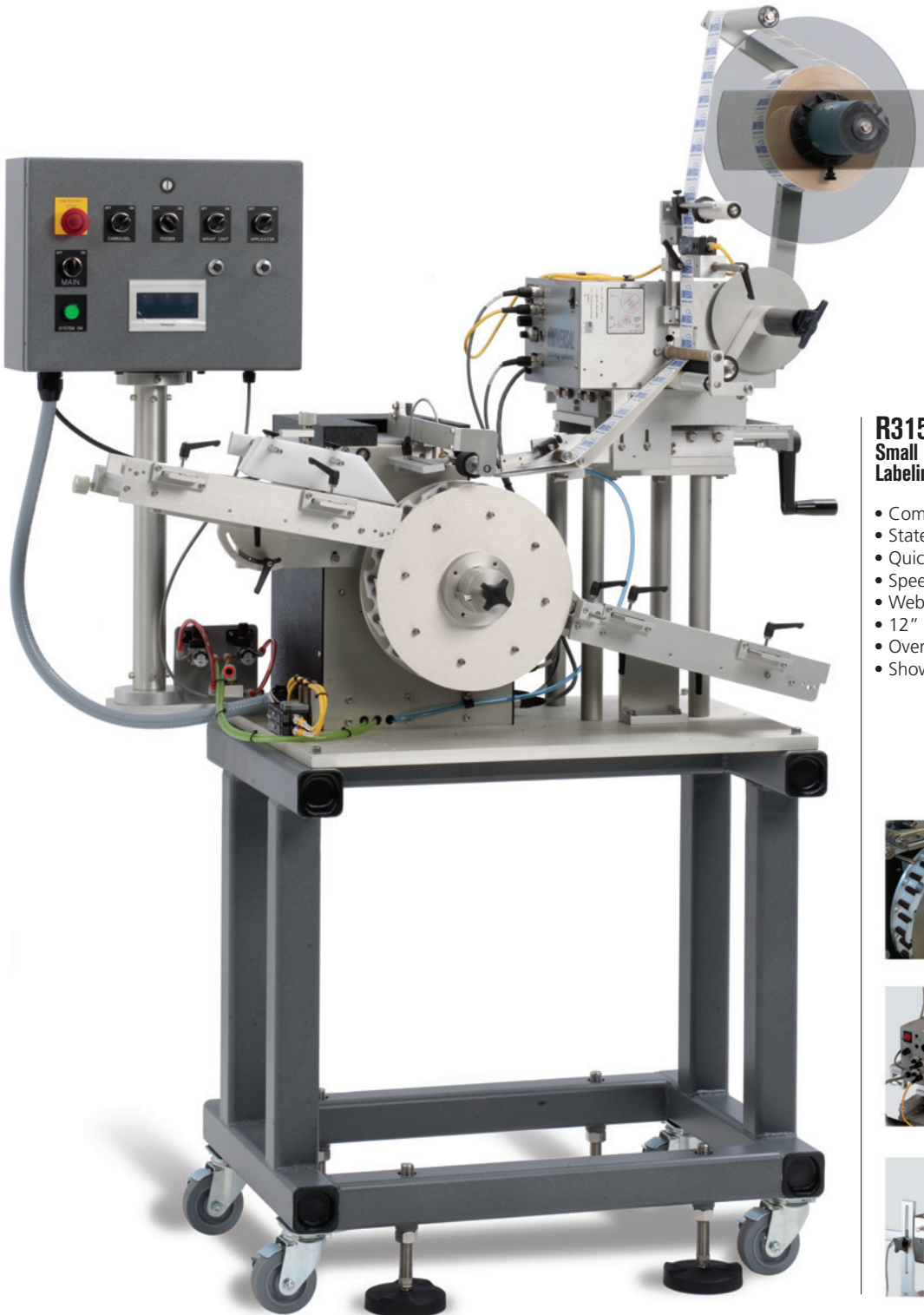
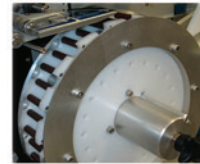


SMALL DIAMETER AUTOMATIC ROUND PRODUCT LABELING



R315 Small Diameter Labeling System

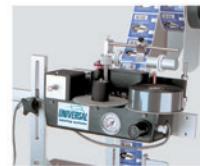
- Complete tabletop system
- State-of-the-art control package
- Quick change product carrier
- Speed: up to 1200 inches per minute
- Web width: 6.5"
- 12" label roll capacity 3" core
- Overhead label wrapping station
- Shown with optional framework base



Made-to-order product carriers, accommodating virtually any small diameter product.



Choose your Universal applicator, including Print & Apply.

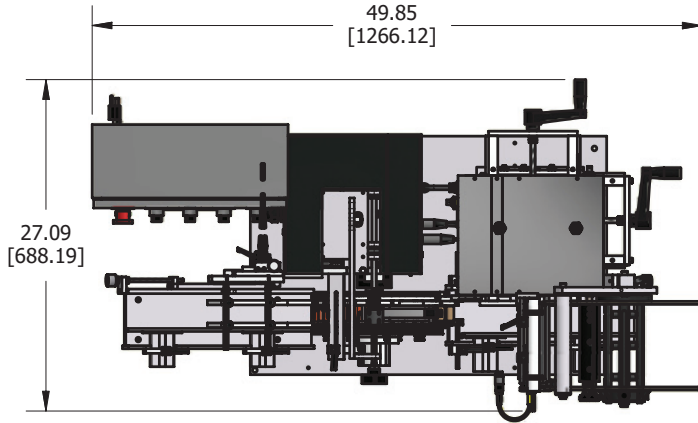


Optional hot stamp imprinter for variable information like expiration dates and lot codes.

UNIVERSAL
labeling systems

Engineering
labeling solutions.

SPECIFICATIONS



R315

- 27"W x 50"L x 42"H
- Speed: up to 1200 inches per minute
- 6.5" wide web capacity
- 12" label roll capacity 3" core
- Electric: 120 VAC +/-10%
- Unit weight: approximately 165 lbs.
(Shipping weight approximately 500 lbs.)

Options

- Additional product carriers
- Framework base with casters and leveling pads
- SL1500 label applicator or UPA II Printer Applicator
- Automatic speed following
- Vibrating in-feed chute assembly with motor
- Hot stamp imprinter

