

EPSON®

Click here for more information!


IPSi INTEGRATED
PRODUCTIVITY
SYSTEMS

(844) 477-4911 | www.ipsiscan.com

**Epson® SureColor®
P6570/P8570/T3770/T5770/T7770 Series
User's Guide**

Contents

SureColor P6570/P8570/T3770/T5770/T7770 Series User's Guide	13
Introduction to Your Printer.....	14
Models Included in this Manual	14
Product Features.....	16
Optional Equipment and Replacement Parts (U.S./Canada).....	17
Optional Equipment and Replacement Parts (Latin America).....	18
Available Software	19
Notations Used in the Documentation	21
Printer Part Locations	21
Product Parts - Front/Top	22
Product Parts - Inside	26
Product Parts - Back.....	29
Using the Control Panel	30
Control Panel.....	30
Changing the LCD Screen Language.....	35
Selecting the Date and Time	36
Setting a Password and Locking the Control Panel	37
Using AirPrint	39
Using the Epson Smart Panel Mobile App.....	39
Using Power Saving Settings	40
Changing the Sleep Timer Settings	40
Changing the Power Off Timer Settings	41
Printer Usage Guidelines	42
Installation Space	43
Using Your Printer	44
Storing Your Printer	45
Wi-Fi or Wired Networking.....	46
Network Security Recommendations	46
Wi-Fi Infrastructure Mode Setup.....	47
Selecting Wireless Network Settings from the Control Panel	48

Wi-Fi Direct Mode Setup	50
Enabling Wi-Fi Direct Mode	50
Wi-Fi Protected Setup (WPS).....	51
Using WPS to Connect to a Network	52
Printing a Network Status Sheet.....	52
Printing a Network Connection Report	53
Network Connection Report Codes and Messages	55
Changing or Updating Network Connections	60
Accessing the Web Config Utility	61
Changing a USB Connection to a Wi-Fi Connection.....	61
Changing a Wi-Fi Connection to a Wired Network Connection.....	62
Connecting to a New Wi-Fi Router	63
Disabling Wi-Fi Features	63
Media Handling	65
Media Handling Precautions	65
Roll Paper Handling	67
Loading Roll 1/Roll Paper	67
Loading Roll 2 (Dual Roll Models Only)	78
Cutting Roll Paper	90
Cutting Roll Paper Manually.....	90
Printing Cutting Guidelines	91
Removing Roll 1/ Roll Paper.....	92
Removing Roll 2 (Dual Roll Models Only).....	96
Cut Sheet Handling	102
Loading Cut Sheets	102
Loading Poster Board	112
Creating Custom Paper Settings	122
Selecting Custom Paper Configurations.....	124
Creating Custom Paper Settings Using Epson Media Installer.....	124
Edit Media Settings Options.....	127
Downloading Epson Media Settings	128
Paper Feed Adjustment.....	129
Optimizing the Media Settings (Automatic Adjustment).....	130

Adjusting the Paper Feed	130
About Auto Take-up (Dual Roll Models Only).....	131
Loading Media for Auto Take-up	131
Removing the Auto Take-up Media	144
Available Epson Papers	148
Borderless Paper Type Compatibility	161
Supported Paper Widths	162
Paper or Media Type Settings - Printing Software.....	167
Selecting the Paper Settings for Each Source - Control Panel	169
Paper Type Settings - Control Panel	169
Printing from a Computer	171
Printing with Windows	171
Selecting Basic Print Settings - Windows	172
Paper Source Options - Windows	175
Print Mode Options - Windows.....	176
Color Mode Options - Windows	176
Using Layout Manager - Windows	179
Selecting Print Layout Options - Windows.....	184
Page Layout Options - Windows.....	184
Selecting Advanced Settings - Windows	186
Roll Paper Options - Windows	187
Selecting Additional Settings - Windows	189
Saving, Sharing, and Customizing the Printer Settings	190
Saving and Sharing Print Settings - Windows	190
Printing Your Document or Photo - Windows.....	192
Checking Print Status - Windows.....	193
Selecting Default Print Settings - Windows.....	193
Changing the Language of the Printer Software Screens.....	194
Changing Automatic Update Options	196
Printing on a Mac	196
Selecting Basic Print Settings - Mac.....	197
Paper Size Options - Mac	201
Paper Source Options - Mac.....	202

Print Mode Options - Mac	202
Color Mode Options - Mac	203
Selecting Print Layout Options - Mac.....	204
Selecting Advanced Settings - Mac	205
Selecting Roll Paper Settings - Mac	207
Selecting Paper Configuration Settings - Mac	211
Managing Color - Mac	211
Color Matching Options - Mac.....	212
Sizing Printed Images - Mac.....	213
Selecting Printing Preferences - Mac	213
Printing Preferences - Mac.....	214
Printing Your Document or Photo - Mac	215
Checking Print Status - Mac.....	216
Printing CAD Drawings.....	216
Printing CAD Drawings from the Printer Driver	217
Printing CAD Drawings in HP-GL/2 or HP RTL Mode.....	218
Printing from a Shared Folder	220
Setting Up a Shared Folder from the Control Panel.....	221
Setting Up a Shared Folder Using Web Config.....	222
Printing from a Web Browser.....	223
Switching the Roll Paper for Printing	224
Switching Rolls According to Paper Type	225
Switching Rolls According to Page Size	229
Switching Rolls when Paper Runs Out	233
Using the Integrated Scanner (SureColor T5770DM/T7770DM).....	236
Supported Document Sizes and Types	236
Loading Originals	237
Using a Carrier Sheet.....	240
Copying Documents or Photos.....	242
Copy Settings	245
Creating Scanning Contacts.....	248
Creating a Shared Network Folder	248
Registering Contacts for Email, Network, or FTP Scanning - Control Panel.....	250

Registering Contacts for Email, Network Folder, or FTP Scanning - Web Config.....	252
Scanning to a Network Folder or FTP Server.....	253
Scan to Network Folder/FTP Settings.....	255
Scanning to Email.....	256
Scan to Email Settings.....	258
Scanning to a Memory Device.....	261
Scan to Memory Device Settings.....	262
Scanning to a Computer.....	264
Scanning to the SSD Unit.....	264
Scan to Storage Settings.....	265
Printing from a USB Memory Device.....	267
Connecting and Printing from a USB Memory Device.....	267
Using the Solid State Drive (SSD) Unit.....	269
SSD Unit Storage Options.....	269
Using the SSD Unit from Your Computer.....	270
Creating a Storage Space.....	273
Saving Data to Storage.....	274
Saving Data to Storage - Windows.....	274
Saving Data to Storage - Mac.....	275
Saving Data from a USB Memory Device to Storage.....	276
Printing Stored Data.....	276
Managing Storage Spaces and Documents.....	276
Searching for Storage Spaces and Documents.....	277
Deleting a Document from Storage.....	277
Changing the Storage Period.....	277
Deleting a Storage Space.....	278
Restricting Operations for Shared Storage Spaces.....	278
Using the Control Panel Menus.....	279
Accessing the Printer's Menus.....	279
Paper Setting Menu.....	280
Basic Settings Menu.....	293
Printer Settings Menu.....	296
Network Settings Menu.....	308

Scan Settings Menu (SureColor T5770DM/T7770DM)	309
Memory Device Settings Menu.....	310
Network Folder Menu	314
Storage Settings Menu.....	316
User Settings Menu.....	317
System Administration Menu.....	318
Maintenance Menu.....	322
Printer Status Menu.....	324
Replacing Consumables.....	326
Ink Safety Precautions	326
Check Ink and Maintenance Box Status.....	329
Checking Ink and Maintenance Box Status on the LCD Screen	329
Checking Ink and Maintenance Box Status with Windows	330
Checking Ink and Maintenance Box Status - Mac	332
Purchase Epson Ink and Maintenance Box	333
Ink and Maintenance Box Part Numbers	333
Removing and Installing Ink Cartridges.....	335
Removing and Installing Ink Supply Units (Ink Packs).....	339
Replacing the Maintenance Box.....	343
Replacing the Borderless Maintenance Boxes.....	347
Adjusting Print Quality.....	352
Print Head Maintenance.....	352
Print Head Nozzle Check.....	353
Checking the Nozzles Using the Product Control Panel	353
Checking the Nozzles Using a Computer Utility	354
Print Head Cleaning	355
Cleaning the Print Head Using the Product Control Panel	355
Cleaning the Print Head Using a Computer Utility.....	357
Running a Power Cleaning Using the Product Control Panel.....	358
Adjusting the Paper Feed Using the Product Control Panel	359
Ruled Line Alignment	360
Aligning the Print Head Automatically Using the Product Control Panel	361
Aligning the Print Head Manually Using the Product Control Panel	362

Cleaning the Roll Paper Feeder	363
Maintenance and Transportation	364
Replacing the Cutter.....	364
Cleaning Your Product	368
Cleaning the Platen and Borderless Pad Edges.....	369
Wiping Around the Print Head	373
Cleaning the Print Head Cap Area	378
Moving or Transporting Your Product.....	391
Discharging Ink.....	395
Solving Problems	397
Checking for Software Updates.....	397
Product Status Messages	398
Resetting Control Panel Defaults	399
Solving Printer Problems.....	400
Product Does Not Turn On or Turns Off Unexpectedly.....	400
LCD Screen Shuts Off	400
Media Does Not Cut Cleanly	400
Red Light Shines Inside the Printer	401
Product Stops Printing Unexpectedly	401
Forgot the Administrator Password	402
Software Installation Problems	402
Solving Network Problems	402
Product Cannot Connect to a Wireless Router or Access Point	403
Network Software Cannot Find Product on a Network.....	404
Product Does Not Appear in Mac Printer Window	405
Wired Network Connection Becomes Unstable	406
Cannot Print Over a Network.....	406
Solving Printing Problems	408
Nothing Prints	408
Print Head Moves But Nothing Prints	408
Solving Paper Problems.....	409
Paper Feeding Problems.....	409
Roll Paper Jam Problems	411

Cut Sheet Paper Jam Problems	415
Paper Does Not Collect in the Basket or is Creased	418
Solving Print Quality Problems	419
Nozzle Check Pattern Prints Incorrectly	419
Overall Print Quality is Poor	419
Lines Are Misaligned	421
Prints are Scuffed or Smearred	421
Prints are Wrinkled	422
Margins Appear in Borderless Prints	422
Solving Scanning Problems (SureColor T5770DM/T7770DM)	423
Cannot Feed Originals Correctly	424
Removing a Jammed Original (SureColor T5770DM/T7770DM)	425
Scanned Image is Misaligned	427
Adjusting Scanned Image Stitching	427
Lines Appear on Scanned or Copied Documents	429
Scanned Image Size Does Not Match Print Size	431
Scanner Slot Has Detached	432
Uninstall Your Product Software	432
Uninstalling Product Software - Windows	433
Uninstalling Product Software - Mac	434
Where to Get Help (U.S. and Canada)	434
Where to Get Help (Latin America)	435
Technical Specifications	438
Windows System Requirements	438
Mac System Requirements	439
Printing Specifications	439
Paper Specifications	440
Printable Area Specifications	441
Ink Specifications	443
Dimension Specifications	445
Electrical Specifications	445
Environmental Specifications	446
Interface Specifications	447

Network Interface Specifications	448
Scanning Specifications (SureColor T5770DM/T7770DM)	449
Safety and Approvals Specifications	450
Notices	452
Important Safety Instructions.....	452
General Product Safety Instructions	452
LCD Screen Safety Instructions.....	455
Wireless Connection Safety Instructions	456
FCC Compliance Statement.....	456
Binding Arbitration and Class Waiver	457
Trademarks	460
Copyright Notice.....	460
A Note Concerning Responsible Use of Copyrighted Materials.....	461
Default Delay Times for Power Management for Epson Products	461
Copyright Attribution	461

SureColor P6570/P8570/T3770/T5770/T7770 Series User's Guide

Welcome to the SureColor P6570/P8570/T3770/T5770/T7770 Series *User's Guide*.

For a printable PDF copy of this guide, [click here](#).

Note: Availability of products in this guide varies by country.

Introduction to Your Printer

Refer to these sections to learn more about your printer and this manual.

Note: The SureColor T7770D is shown in most illustrations in this manual, but the instructions apply to all models unless noted otherwise.

[Models Included in this Manual](#)

[Product Features](#)

[Available Software](#)

[Notations Used in the Documentation](#)

[Printer Part Locations](#)

[Using the Control Panel](#)

[Using AirPrint](#)

[Using the Epson Smart Panel Mobile App](#)

[Using Power Saving Settings](#)

[Printer Usage Guidelines](#)

Models Included in this Manual

The table below provides a brief description of the models covered in this manual.

Note: Product availability varies by country and region.

Model	Description
SureColor P6570 Series	
SureColor P6570D	24-inch, wide-format printer
SureColor P6570DE	Dual roll: SureColor P6570D/P6570DE
SureColor P6570E	Single roll: SureColor P6570E UltraChrome PRO6 with Gray ink cartridges Adobe Embedded Print Engine included: SureColor P6570D (not available for SureColor P6570DE/P6570E)
SureColor P8570 Series	

Model	Description
SureColor P8570D	44-inch, dual roll, wide-format printer
SureColor P8570DL	UltraChrome PRO6 with Gray ink cartridges: SureColor P8570D UltraChrome PRO6 with Gray ink supply units (ink packs): SureColor P8570DL Adobe Embedded Print Engine included
SureColor T3770 Series	
SureColor T3770D	24-inch, large-format printer
SureColor T3770DE	Dual roll: SureColor T3770D/T3770DE
SureColor T3770E	Single roll: SureColor T3770E UltraChrome XD3 with Red ink cartridges Adobe Embedded Print Engine included: SureColor T3770D (not available for SureColor T3770DE/T3770E)
SureColor T5770 Series	
SureColor T5770D	36-inch, dual roll, large-format printer
SureColor T5770DM	UltraChrome XD3 with Red ink cartridges Adobe Embedded Print Engine included SSD unit included: SureColor T5770DM (optional for all other models)
SureColor T7770 Series	
SureColor T7770D	44-inch, dual roll, large-format printer
SureColor T7770DL	UltraChrome XD3 with Red ink cartridges: SureColor T7770D/T7770DM
SureColor T7770DM	UltraChrome XD3 with Red ink supply units (ink packs): SureColor T7770DL Adobe Embedded Print Engine included SSD unit included: SureColor T7770DM (optional for all other models)

Parent topic: [Introduction to Your Printer](#)

Product Features

The Epson SureColor P6570/P8570/T3770/T5770/T7770 Series printers include these special features:

High productivity

- Print accurate A1/D-size prints in 16 seconds on plain paper
- Print posters, photos, and POP displays at speeds over 300 sq ft/hr, and CAD and technical drawings at speeds over 1400 sq ft/hr
- Available 110-, 350-, or 700-ml ink cartridges (SureColor P6570D/P6570DE/P6570E/P8570D/T3770D/T3770DE/T3770E/T5770D/T5770DM/T7770D/T7770DM)
- Available 1600 ml high-capacity ink supply units (ink packs) (SureColor P8570DL/T7770DL)
- HP-GL/2 or HP RTL support for CAD software
- SuperSpeed USB 3.0, Ethernet, or Wi-Fi (2.4 GHz and 5 GHz) connectivity
- Wirelessly print from computers, tablets, or smartphones
- Direct printing from USB memory devices
- Printing files from shared folders
- Uploading print files through a web interface
- Adobe Embedded Print Engine for faster processing of complex data (not available for SureColor P6570DE/P6570E/P3770DE/P3770E)

Reliability

- 2.64-inch PrecisionCore MicroTFP printhead offers Precision Droplet Control
- Improved anti-dust design for reduced print head nozzle maintenance
- Enhanced security features including SSD encryption and IC card option for user control and tracking

High resolution

- Prints at resolutions up to 2400 dpi
- Supports two types of black ink for printing documents or graphics

Easy-to-use setup and operation

- Intuitive, easy-to-read, 4.3-inch, color LCD touchscreen
- Compact, flattop design with complete front operation for simple roll loading
- Automatically switch between two media types or sizes, or use second roll as a take-up reel (dual roll models only)

- Easy-to-use software
- Improved media setting software
- Automatically switches between Photo Black and Matte Black inks according to media type

[Optional Equipment and Replacement Parts \(U.S./Canada\)](#)

[Optional Equipment and Replacement Parts \(Latin America\)](#)

Parent topic: [Introduction to Your Printer](#)

Optional Equipment and Replacement Parts (U.S./Canada)

You can purchase genuine Epson ink, paper, and accessories from an Epson authorized reseller. To find the nearest reseller, visit proimaging.epson.com (U.S.) or proimaging.epson.ca (Canada), select your product series and product, and click the **Where to Buy** button. Or call 800-GO-EPSON (800-463-7766) in the U.S. or 800-807-7766 in Canada.

Option or part	Part number
Replacement printer cutter blade	C13S210117
Maintenance box	C13S210115
Borderless maintenance box	C13S210116
Cleaning stick	C13S090013
SSD unit*	C12C936671
Roll media spindle (24") (SureColor P6570D/P6570DE/P6570E/T3770D/T3770DE/T3770E)	C12C937711
Roll media spindle (36") (SureColor T5770D/T5770DM)	C12C937671
Roll media spindle (44") (SureColor P8570D/P8570DL/T7770D/T7770DL/T7770DM)	C12C936171
One-year Epson Preferred Plus Commercial Service and Support Plan (SureColor P6570D/P6570DE/P6570E)	EPPP6500S1
One-year Epson Preferred Plus Commercial Service and Support Plan (SureColor P8570D/P8570DL)	EPPP8500S1
One-year Epson Preferred Plus Commercial Service and Support Plan (SureColor T3770D/T3770DE/T3770E)	EPPT3700S1
One-year Epson Preferred Plus Commercial Service and Support Plan (SureColor T5770D/T5770DM)	EPPT5700S1

Option or part	Part number
One-year Epson Preferred Plus Commercial Service and Support Plan (SureColor T7770D/T7770DL/T7770DM)	EPPT7700S1
Two-Year Epson Preferred Plus On-Site Commercial Service and Support Plan (SureColor P6570D/P6570DE/P6570E)	EPPP6500S2
Two-Year Epson Preferred Plus On-Site Commercial Service and Support Plan (SureColor P8570D/P8570DL)	EPPP8500S2
Two-Year Epson Preferred Plus On-Site Commercial Service and Support Plan (SureColor T3770D/T3770DE/T3770E)	EPPT3700S2
Two-Year Epson Preferred Plus On-Site Commercial Service and Support Plan (SureColor T5770D/T5770DM)	EPPT5700S2
Two-Year Epson Preferred Plus On-Site Commercial Service and Support Plan (SureColor T7770D/T7770DL/T7770DM)	EPPT7700S2
Four-year Epson Preferred Plus Commercial Service and Support Plan (SureColor P6570D/P6570DE/P6570E)	EPPP6500S4
Four-year Epson Preferred Plus Commercial Service and Support Plan (SureColor P8570D/P8570DL)	EPPP8500S4
Four-year Epson Preferred Plus Commercial Service and Support Plan (SureColor T3770D/T3770DE/T3770E)	EPPT3700S4
Four-year Epson Preferred Plus Commercial Service and Support Plan (SureColor T5770D/T5770DM)	EPPT5700S4
Four-year Epson Preferred Plus Commercial Service and Support Plan (SureColor T7770D/T7770DL/T7770DM)	EPPT7700S4

* Included with SureColor T5770DM/T7770DM; optional for all other models.

Parent topic: [Product Features](#)

Optional Equipment and Replacement Parts (Latin America)

You can purchase genuine Epson ink, paper, and accessories from an Epson authorized reseller. To find the nearest reseller, visit latin.epson.com or call your nearest Epson sales office.

Note: Availability of accessories varies by country.

Option or part	Part number
Replacement printer cutter blade	C13S210117
Maintenance box	C13S210115
Borderless maintenance box	C13S210116
Cleaning stick	C13S090013
SSD unit*	C12C936671
Roll media spindle (24") (SureColor P6570D/P6570DE/P6570E/T3770D/T3770DE/T3770E)	C12C937711
Roll media spindle (36") (SureColor T5770D/T5770DM)	C12C937671
Roll media spindle (44") (SureColor P8570D/P8570DL/T7770D/T7770DL/T7770DM)	C12C936171

* Included with SureColor T5770DM/T7770DM; optional for all other models.

Parent topic: [Product Features](#)

Available Software

The table below provides an overview of the software available for your product.

You can download and install the necessary software from the Epson website using the instructions on the *Start Here* sheet. For detailed information about the software on your system, see the software help or the online *Administrator's Guide*.

Note: An internet connection is required to obtain the product software.

Software	Description
Printer driver	Allows your computer to communicate specifically with your printer. Before printing from your computer, make sure you have set up your product and installed the latest software.
PS printer driver (not available for SureColor P6570DE/P6570E/T3770DE/T3770E)	Select when printing using the Adobe Embedded Print Engine.

Software	Description
PS Folder (not available for SureColor P6570DE/P6570E/T3770DE/T3770E)	Allows models equipped with the Adobe Embedded Print Engine to print by simply dragging and dropping the corresponding file onto the PS Folder icon.
Epson Software Updater	Periodically checks for software updates and then notifies you and installs the software if an update is available. You can select the interval for update checks and make settings for receiving update notifications. In addition to driver updates, also allows you to update product firmware and previously installed applications, and install additional software that is compatible with the printer.
LFP Print Plug-In for Office (Windows only)	Plug-in software for Microsoft Office applications (Word, Excel, and PowerPoint) that allows you to display ribbon items in Office applications that provide quick access to horizontal and vertical banner printing and enlarged printing. Supports Microsoft Office versions 2003 or later.
Epson Edge Dashboard	Allows you to manage the status of multiple printers and easily copy custom paper settings from one printer to another.
Epson Media Installer	Allows you to download paper information, including ICC profiles, print modes, and print control parameters, from Internet servers and save it in the printer or printer driver.
EpsonNet Config SE	Software to configure the initial settings of the network or change network settings universally when installing or relocating Epson printers and scanners. Visit the Epson website to download and run EpsonNet Config SE. See the online <i>Administrator's Guide</i> for more information.
Epson Scan 2 (SureColor T5770DM/T7770DM only)	Install this driver if you want to use the scanner.
Document Capture Pro (Windows) or Document Capture (Mac) (SureColor T5770DM/T7770DM only)	Allows you to easily and efficiently digitize originals. Install this software if you want to save scanned data to your computer.

Software	Description
Web Config	Pre-installed software that allows you to access your printer from a web browser via a network, and perform administrative functions such as checking ink levels, updating firmware, configuring network and advanced security settings, and editing custom paper settings that can then be exported to a file or imported to another printer. Also provides an e-mail notification function to inform you when printer errors occur.
Epson Print Automate	Allows you to customize and print posters quickly and on-demand by simply dragging and dropping them directly into the print window. Visit the Epson website to download and run Epson Print Automate. See the software help for more information.

Parent topic: [Introduction to Your Printer](#)

Notations Used in the Documentation

Follow the guidelines in these notations as you read your documentation:

- **Warnings** must be followed carefully to avoid bodily injury.
- **Cautions** must be observed to avoid damage to your equipment.
- **Notes** contain important information about your printer.
- **Tips** contain additional printing information.

Parent topic: [Introduction to Your Printer](#)

Printer Part Locations

Check the printer part illustrations to learn about the parts on your printer.

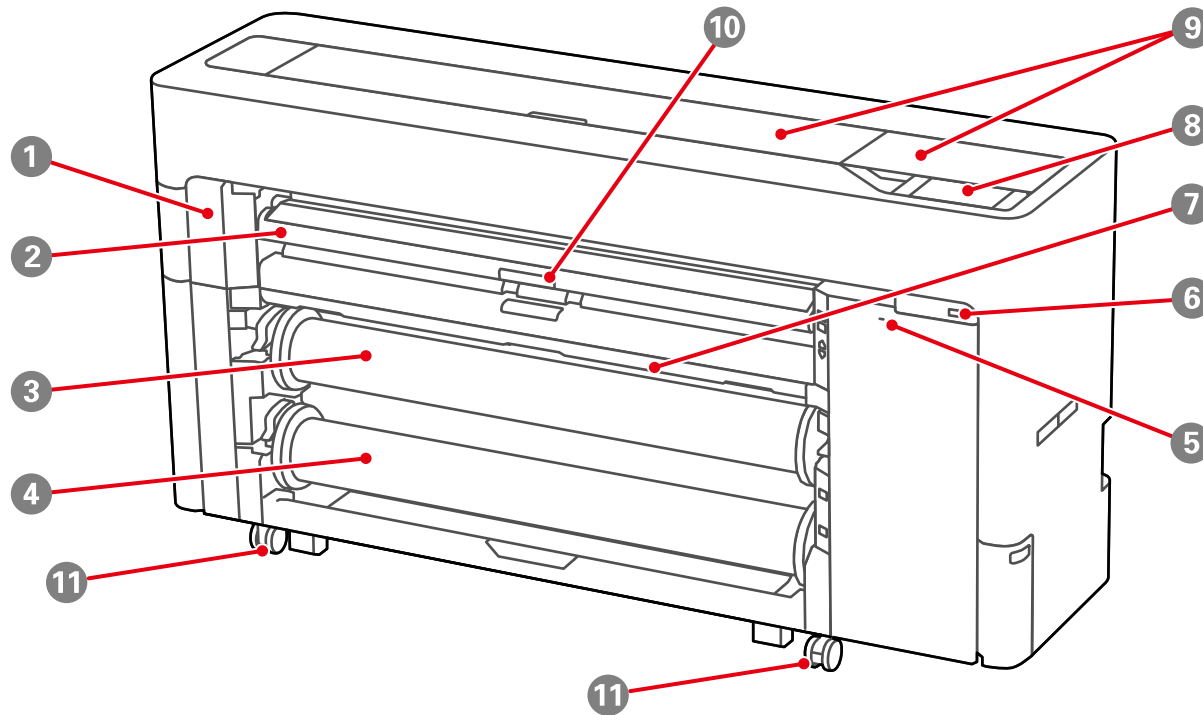
Note: The illustrations in this section show a dual roll model (SureColor P6570D/P6570DE/P8570D/P8570DL/T3770D/T3770DE/T5770D/T5770DM/T7770D/T7770DL/T7770DM), but the descriptions are the same for single roll models (SureColor P6570E/T3770E) unless noted otherwise.

[Product Parts - Front/Top](#)

[Product Parts - Inside](#)

[Product Parts - Back](#)

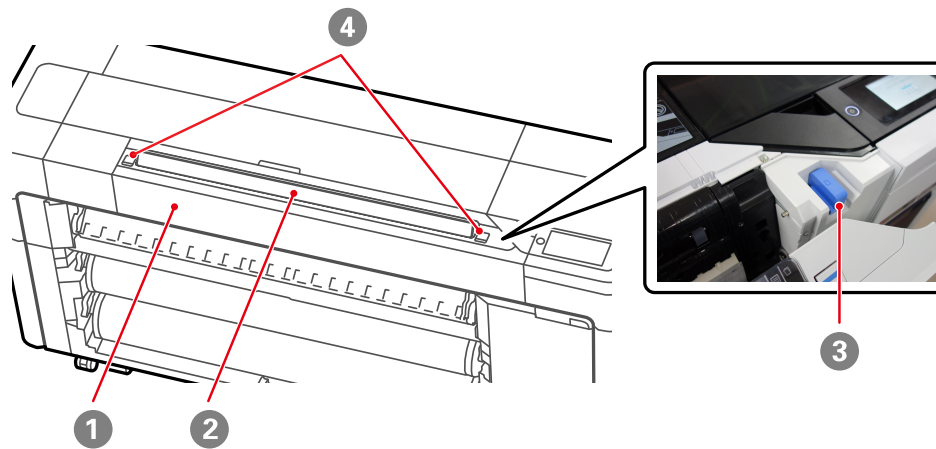
Product Parts - Front/Top



- 1 Maintenance cover
Open to replace auto cutter blade
- 2 Paper support
Adjust position according to media type; set to top position when replacing borderless maintenance box
- 3 Roll 1 (known as Roll paper on SureColor P6570E/T3770E); can be used optionally as a take-up reel on dual roll models
- 4 Roll 2 (not available on SureColor P6570E/T3770E)
- 5 Security lock slot

- 6 USB memory port
Print directly from a connected USB memory device
- 7 Paper basket
- 8 Control panel
- 9 Printer cover
Open to clean inside printer or clear paper jams
- 10 Paper support lock lever
- 11 Front caster

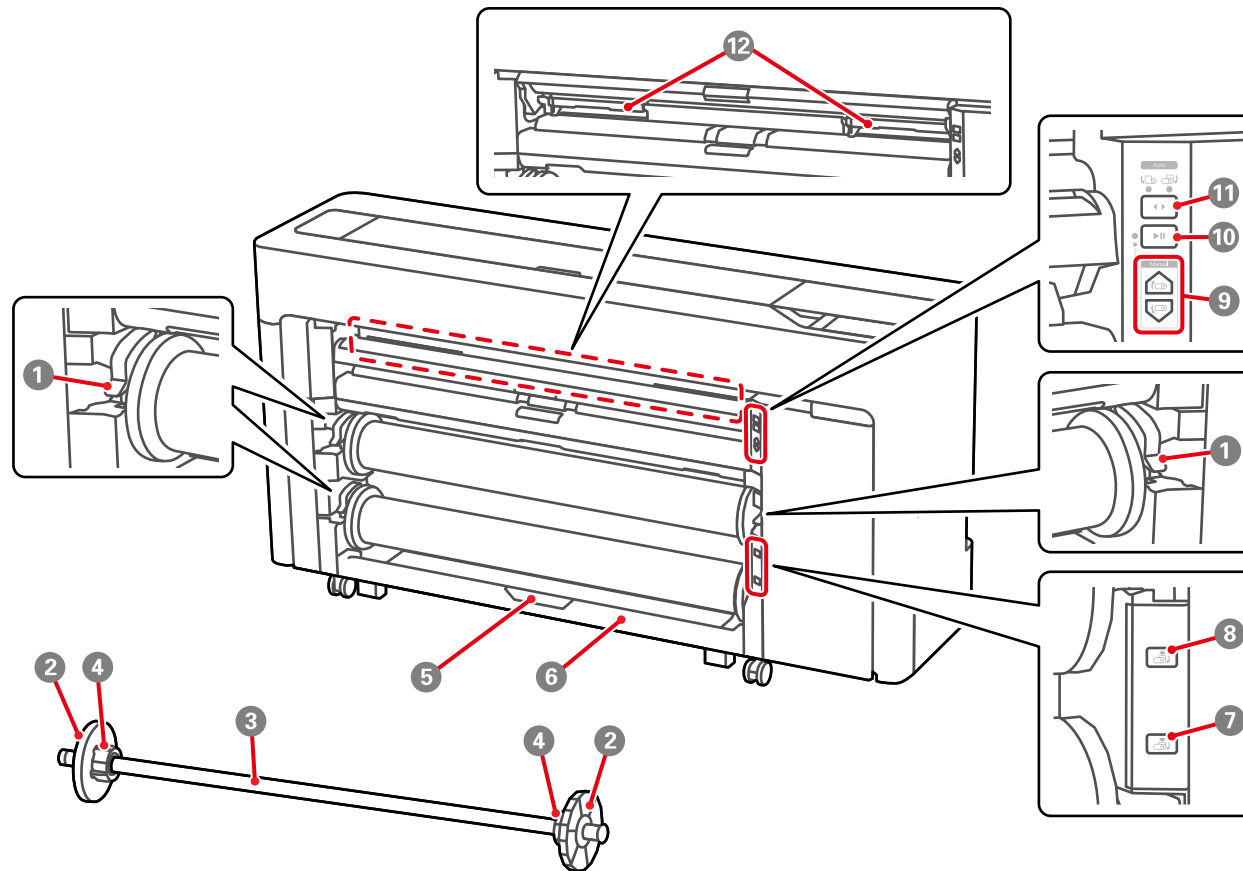
Scanner (SureColor T5770DM/T7770DM only)



- 1 Scanner cover
Open cover to clear paper jams
- 2 Scanner slot
Insert originals to be scanned
- 3 Scanner edge guide
Allows you to feed originals straight into the printer; store the edge guide when opening the scanner cover

- 4 Lock lever
Press the left and right lock levers to open the scanner cover

Roll Paper Area



- 1 Spindle lock lever
- 2 Paper stop
Secures the roll paper on the spindle; attach or remove the transparent paper stop when loading roll paper

- 3 Spindle
- 4 Roll paper core adapter
- 5 Roll 2 unit lock lever (not available on SureColor P6570E/T3770E)
- 6 Roll 2 unit (not available on SureColor P6570E/T3770E)
- 7 Roll 2 eject button (not available on SureColor P6570E/T3770E)
- 8 Roll 1/Roll paper eject button
- 9 Manual take-up button (not available on SureColor P6570E/T3770E)
Manually take up media when Roll 1 is set to automatic take-up
- 10 Pause/resume button (not available on SureColor P6570E/T3770E)
- 11 Take-up direction switch (not available on SureColor P6570E/T3770E)
When using Roll 1 for automatic take-up, select the take-up direction (printable side out/printable side in)
- 12 Borderless maintenance box
Maintenance box for borderless printing

Parent topic: [Printer Part Locations](#)

Related references

[Roll Paper Jam Problems](#)

[Cut Sheet Paper Jam Problems](#)

Related tasks

[Replacing the Cutter](#)

[Replacing the Borderless Maintenance Boxes](#)

[Loading Media for Auto Take-up](#)

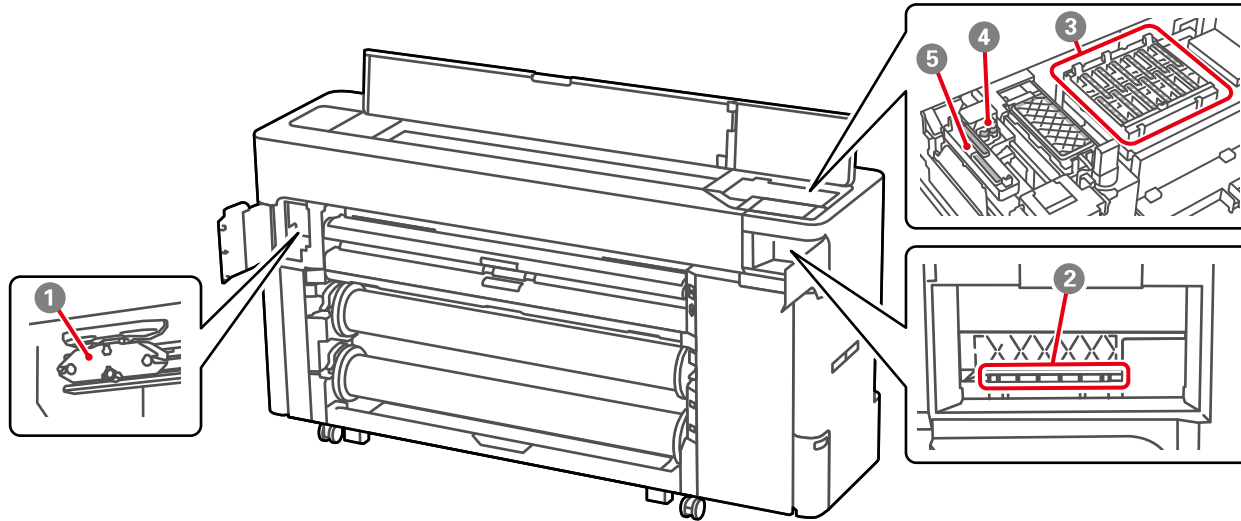
[Loading Roll 2 \(Dual Roll Models Only\)](#)

[Cleaning Your Product](#)

Related topics

[Printing from a USB Memory Device](#)

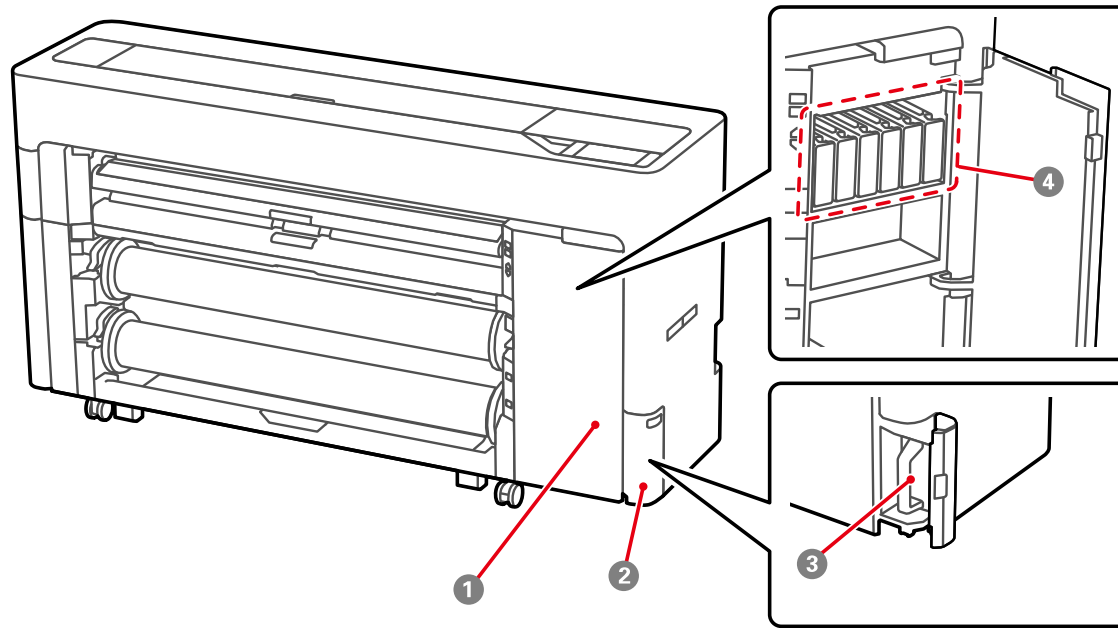
Product Parts - Inside



- 1 Auto cutter blade
- 2 Print head
- 3 Drying prevention caps
Cover the print head nozzles to prevent them from drying when not printing
- 4 Wipers
Used to wipe off ink that is stuck to the surface of the print head nozzles
- 5 Suction cap
Pulls the optimum amount of ink from the print head nozzles during head cleaning

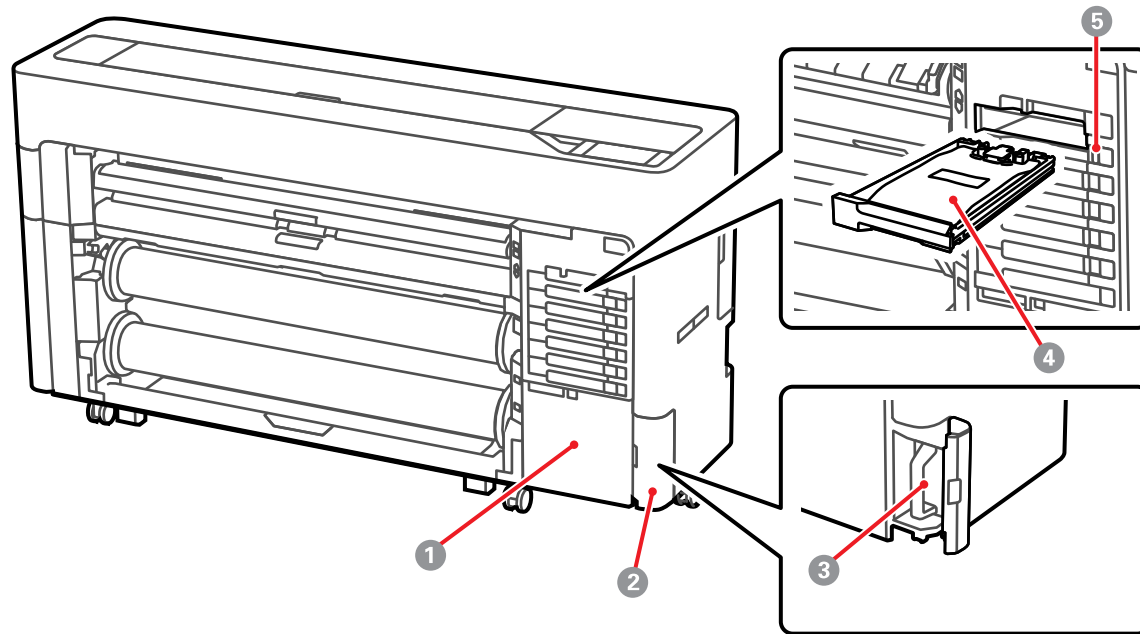
Ink Cartridge Compartment

(SureColor P6570D/P6570DE/P6570E/P8570D/T3770D/T3770DE/T3770E/
T5770D/T5770DM/T7770D/T7770DM)



- 1 Ink cartridge cover
- 2 Maintenance box cover
- 3 Maintenance box
- 4 Ink cartridges

**Ink Supply Unit (Ink Pack) Compartment
(SureColor P8570DL/T7770DL)**



- 1 Accessory case
- 2 Maintenance box cover
- 3 Maintenance box
- 4 Ink supply unit (ink pack)
- 5 Lock switch

Parent topic: [Printer Part Locations](#)

Related tasks

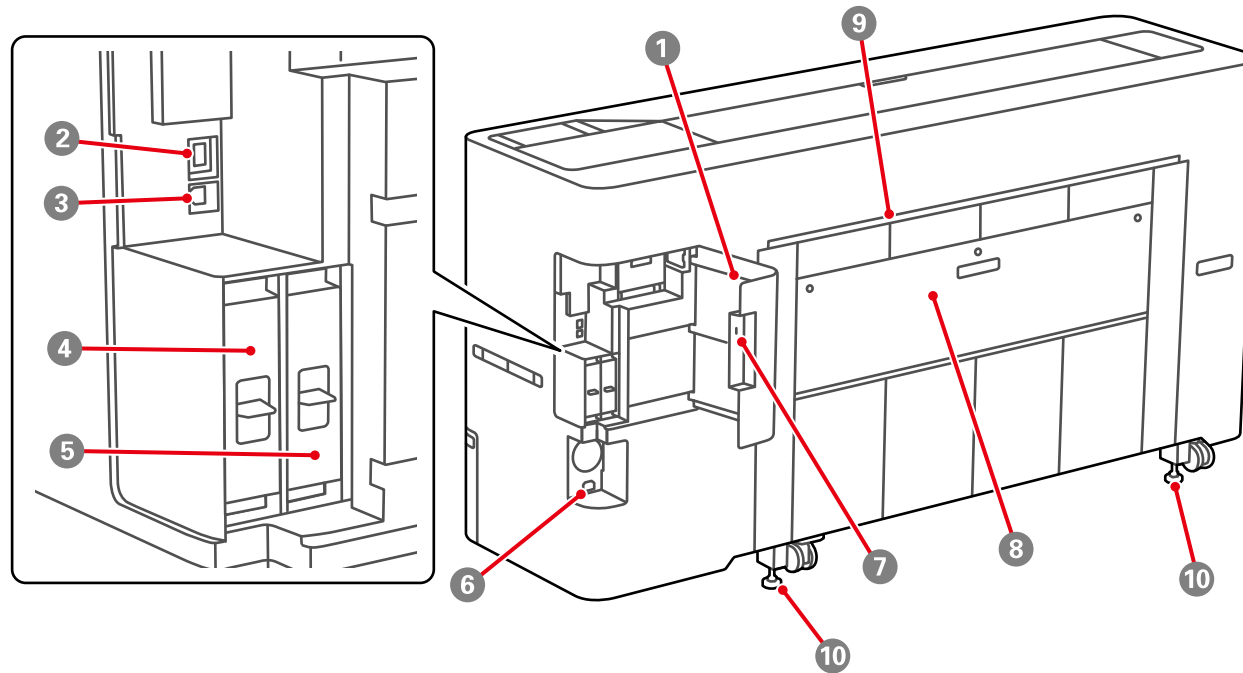
[Replacing the Cutter](#)

[Wiping Around the Print Head](#)

[Cleaning the Platen and Borderless Pad Edges](#)

Cleaning the Print Head Cap Area

Product Parts - Back



- 1 Port cover
- 2 Ethernet **LAN** port
- 3 **USB** port (for computer connection)
- 4 SSD unit slot
SureColor T5770DM/T7770DM come with an SSD unit installed; the SSD unit is an option for all other models
- 5 Adobe Embedded Print Engine (not available for SureColor P6570DE/P6570E/T3770DE/T3770E)
- 6 DC inlet (connect supplied power cable)
- 7 Security lock slot

- 8 Rear cover
- 9 Rear paper feed slot (for feeding cut sheet/poster board from the rear)
- 10 Adjustable feet

Parent topic: [Printer Part Locations](#)

Using the Control Panel

See these sections to learn about the control panel and select control panel settings.

[Control Panel](#)

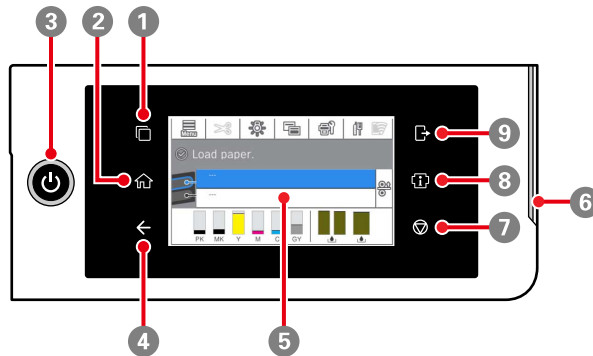
[Changing the LCD Screen Language](#)





[Selecting the Date and Time](#)



[Setting a Password and Locking the Control Panel](#)


Parent topic: [Introduction to Your Printer](#)


Control Panel




- 1  authentication system icon; tap to switch to authentication system
- 2  home icon
- 3  power button
- 4  back icon; lit only when an authentication system is connected
- 5 LCD touchscreen

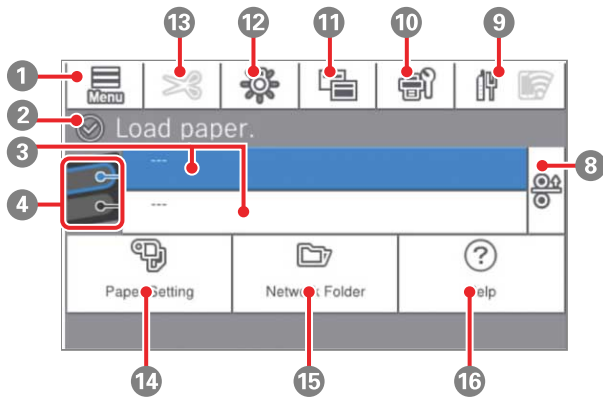
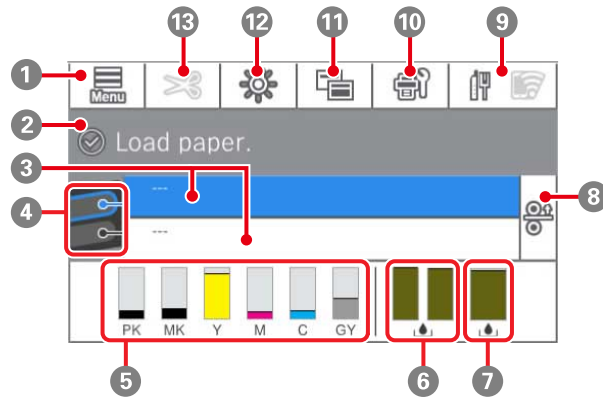
- 6 Error alert light; check the control panel for error details when lit
- 7  stop icon
- 8  information icon; tap to access ink information and view job history

Note: For SureColor T5770DM/T7770DM models, tap the information icon and then tap the  scan icon to operate the scanner.

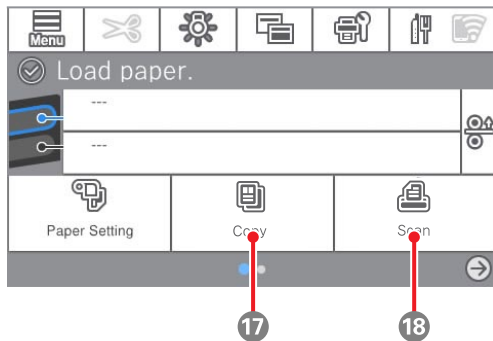
- 9  authentication system logout icon; tap to log out of the authentication system

LCD Screen



Note: The home screen varies depending on the printer model and options installed. You can select the  screen switching icon to toggle between the home screen and the ink level display.



SureColor T5770DM/T7770DM only



- 1 Access menu items
- 2 Displays the printer's status, error messages, and other information.
- 3 Displays roll paper information
When roll paper is not loaded, - - - is displayed.
- 4 Switches the paper source
Select during printing to print the next page from the selected paper source. If there is no paper loaded in either paper source, select to display the **Paper Setting** screen.
- 5 Displays the amount of ink remaining
The abbreviation below each bar indicates the ink color.
PK: Photo Black
MK: Matte Black
Y: Yellow
M: Magenta
C: Cyan
GY: Gray (SureColor P6570D/P6570DE/P6570E/P8570D/P8570DL)
R: Red (SureColor T3770D/T3770DE/T3770E/T5770D/T5770DM/T7770D/T7770DL/T7770DM)
When the ⚠ notification icon is displayed, the corresponding ink color is running low. Tap the display area to check the model number of the ink cartridge or ink pack.

- 6 Displays the amount of space remaining in the borderless maintenance boxes. When the  notification icon is displayed, the corresponding box is almost full. Tap the display area to check the borderless maintenance box model number.
- 7 Displays the amount of space remaining in the maintenance box
When the  notification icon is displayed, the maintenance box is almost full. Tap the display area to check the maintenance box model number.
- 8 Paper release icon
Releases the paper roll for easy removal when performing tasks such as switching out media or clearing paper jams; disabled during paper feeding or printing.
- 9 Network status icons; select to switch the network connection status



: No Ethernet connection



: Ethernet connection established



: No Wi-Fi connection



: Wi-Fi network error or the product is searching for a connection



: Wi-Fi connection established; the number of bars indicates signal strength



: No Wi-Fi Direct connection



: Wi-Fi Direct connection established

Note: Wireless LAN may not be supported depending on the specifications and destination. If this is the case, use a wired LAN instead.

- 10 Displays the Maintenance menu
You can check and clean the print head nozzles, replace consumables, and clean parts.
- 11 Switches the home screen display
- 12 Turns the internal light on or off; turn on to check print in progress

- 13 Displays settings for feeding and cutting roll paper
- 14 Displays the **Paper Setting** menu
Select when loading, removing, setting, or adjusting paper.
- 15 Displays the **Network Folder** menu
Select to print a file from a shared network folder (shared folder must be set up in advance).
- 16 Displays the **Help** menu



Note: When the SSD unit is installed, the  **Storage** menu is displayed. You can make storage settings which allow you to store documents in the SSD unit and print them when needed.

- 17 Displays the **Copy** menu (SureColor T5770DM/T7770DM only)
- 18 Displays the **Scan** menu (SureColor T5770DM/T7770DM only)

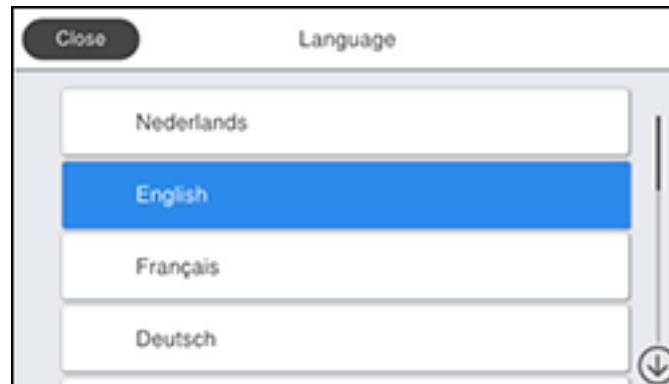
Parent topic: [Using the Control Panel](#)


Changing the LCD Screen Language

You can change the language used on the LCD screen.

1. Select the  home icon, if necessary.
2. Select the  Menu icon.
3. Select **General Settings > Basic Settings > Language**.

You see this screen:





4. Select a language.
5. Select the  home icon to exit.

Parent topic: [Using the Control Panel](#)

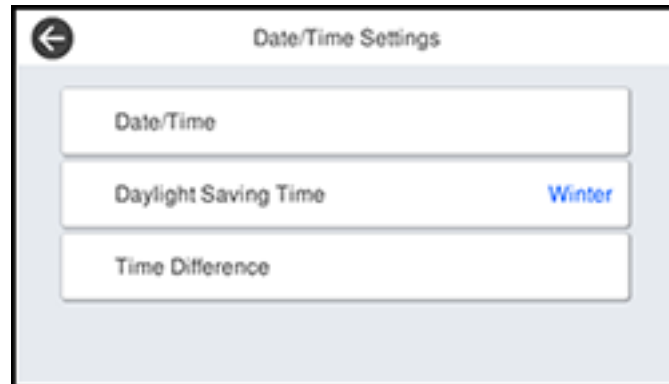
Selecting the Date and Time

Before using your product, select the current date, time, and daylight saving phase in your area, and choose your preferred date and time format.


Note: This setting can be locked by an administrator. If you cannot access or change this setting, contact your administrator for assistance.

1. Select the  home icon, if necessary.
2. Select the  Menu icon.
3. Select **General Settings > Basic Settings > Date/Time Settings**.

You see this screen:



4. Select **Date/Time**.
5. Select the date format you want to use.
6. Use the on-screen keyboard to enter the current date and select **OK**.
7. Select the time format you want to use.
8. Use the on-screen keyboard to enter the current time and select **OK**.

9. Select **Daylight Saving Time** and select either **Summer** or **Winter**.
10. Select the  home icon to exit.

Parent topic: [Using the Control Panel](#)



Setting a Password and Locking the Control Panel

You can set an administrator password to lock the following settings and prevent them from being changed:

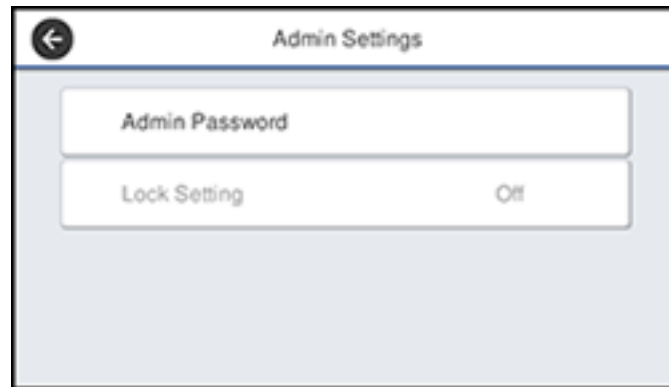
Note: The locked settings may differ depending on your product.

- Network settings
- Certain Basic Settings
- Certain Printer Settings
- Certain Maintenance Settings
- System Administration settings
- Web Config settings
- EpsonNet Config settings

Note: This setting can be locked by an administrator. If you cannot access or change this setting, contact your administrator for assistance. For more information on administration settings, see the online *Administrator's Guide*.

1. Select the  home icon, if necessary.
2. Select the  Menu icon.
3. Select **General Settings > System Administration > Security Settings > Admin Settings**.

You see a screen like this:




4. Select **Admin Password > Change**.
5. Do one of the following:
 - If you have set an administrator password before, enter the current password, then enter and confirm the new password in the fields provided.
 - If you have not set an administrator password before, enter the default password in the current password field, then enter a new password and confirm it in the fields provided.

Note: The default password is the product's serial number. Check the label on the back of the printer to locate the serial number.

6. Select **OK**.
7. Select **Lock Setting > On** to lock settings.

A prompt appears confirming that you want to enable locked settings. Select **Yes** to enable the setting and return to the home screen.

The  lock setting icon is displayed on the home screen when the lock setting is enabled.

You must enter the admin password to access any of the locked settings.

Note: You can restore the administrator password to the default password by selecting **Restore Default Settings** on the **Admin Password** screen and entering the administrator password. If you forget your password, contact Epson for assistance.

Parent topic: [Using the Control Panel](#)

Related tasks

[Accessing the Web Config Utility](#)

Using AirPrint

AirPrint enables instant wireless printing from iPhone, iPad, iPod touch, and Mac without the need to install drivers or download software.



1. Load paper in your product.
2. Set up your product for wireless printing. See the link below.
3. Connect your Apple device to the same wireless network that your product is using.
4. Print from your device to your product.

Note: For details, see the AirPrint page on the Apple website.

Parent topic: [Introduction to Your Printer](#)

Related topics

[Wi-Fi or Wired Networking](#)

Using the Epson Smart Panel Mobile App

Use this free Apple and Android app to set up and control your Epson product. Epson Smart Panel also lets you check product status.

Note: App features may vary depending on your Epson product.

1. Visit epson.com/connect (U.S.), epson.ca/connect (Canada), or latin.epson.com/connect (Latin America) to learn more about Epson Smart Panel and check the compatibility of your mobile device.
2. Download Epson Smart Panel from the Apple App Store or Google Play.

3. Do one of the following:
 - If your Epson product is already connected to a wireless network, connect your mobile device to the same network. Then open Epson Smart Panel and select your Epson product, if necessary.
 - If your Epson product is not connected to a wireless network, connect your mobile device to the network you want to use, then open Epson Smart Panel and follow the instructions to set up your Epson product.

Now you are ready to control your Epson product with your mobile device.

Parent topic: [Introduction to Your Printer](#)

Using Power Saving Settings

Your product enters sleep mode automatically and turns off the LCD screen if it is not used for a period of time. You can make the time period shorter and select other options to save energy and resources.

[Changing the Sleep Timer Settings](#)



[Changing the Power Off Timer Settings](#)

Parent topic: [Introduction to Your Printer](#)

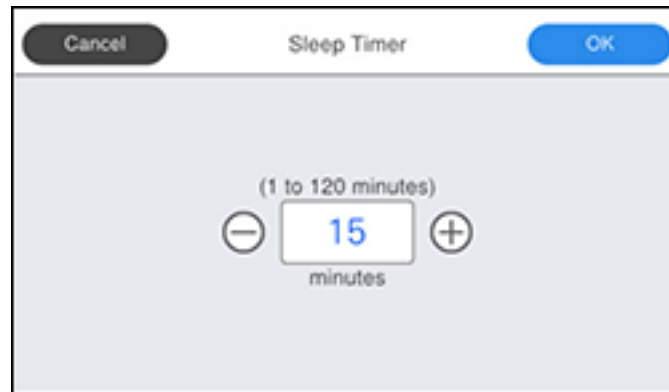
Changing the Sleep Timer Settings

You can adjust the time period before your product enters sleep mode and turns off the LCD screen.

Note: The default setting is 15 minutes.


1. Select the  home icon, if necessary.
2. Select the  Menu icon.
3. Select **General Settings > Basic Settings > Sleep Timer**.

You see a screen like this:



4. Do one of the following:
 - Press the **+** or **-** button to increase or decrease the number of minutes.
 - Press the number to display the on-screen keypad, select the number of minutes (between 1 and 120), and select **OK**.

5. Select **OK**.



When your product enters sleep mode, the control panel's screen goes dark, but the  power light remains on.

Parent topic: [Using Power Saving Settings](#)

Changing the Power Off Timer Settings

You can have the product turn off automatically if it is not used for a specified period of time.

Note: The default setting is **Off**.

1. Select the  home icon, if necessary.
2. Select the  Menu icon.
3. Select **General Settings > Basic Settings > Power Off Timer**.

You see a screen like this:



4. Select a time period between **30minutes** and **12h** (12 hours).

Note: Increasing the time will affect the printer's energy efficiency. Please consider the environment before making any changes.

Parent topic: [Using Power Saving Settings](#)

Printer Usage Guidelines

Follow the guidelines in these sections as you use your printer, consumables, and print media.

[Installation Space](#)

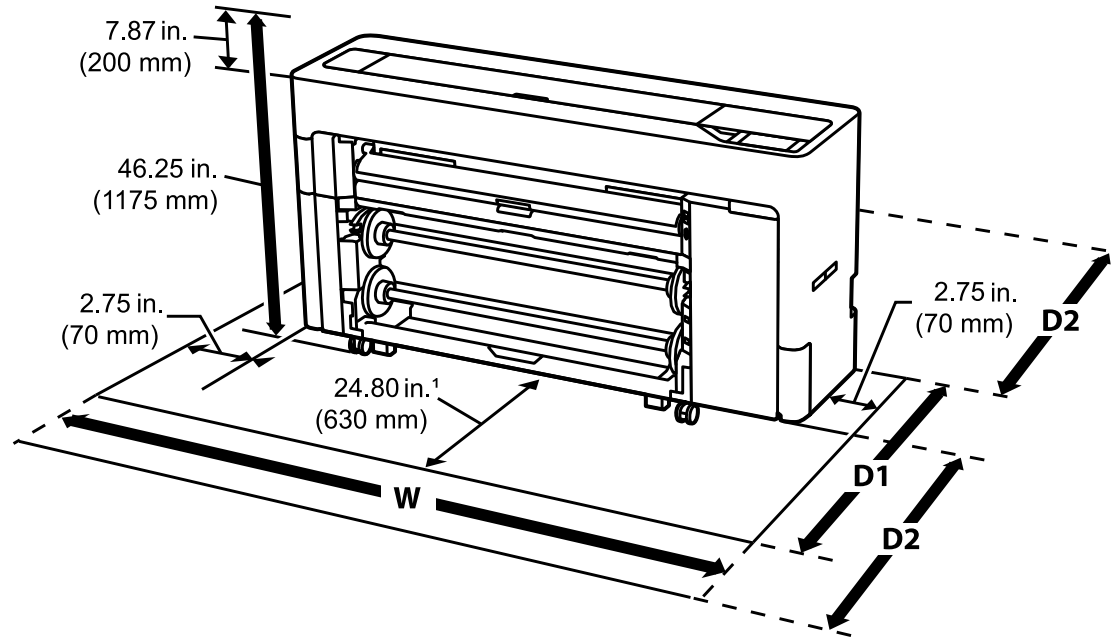
[Using Your Printer](#)

[Storing Your Printer](#)

Parent topic: [Introduction to Your Printer](#)

Installation Space

Make sure that you clear the following amount of working space so that you can eject paper and replace consumables as necessary for your model.



Model	Width (W)	Space required when not using cut sheets/poster board (D1)	Space required when using cut sheets/poster board (D2)
SureColor P8570D/P8570DL/T7770D/T7770DL/T7770DM	78.26 inches (1988 mm)	44.44 inches (1129 mm)	62.99 in. (1600 mm) in front of and behind printer, plus working space (space may vary depending on paper size)
SureColor T5770D/T5770DM	70.27 inches (1785 mm)		
SureColor P6570D/P6570DE/T3770D/T3770DE	59.25 inches (1505 mm)		
SureColor P6570E/T3770E		32.63 inches (829 mm)	

¹ For SureColor P6570E/T3770E, working space required is 13 inches (330 mm)

Parent topic: [Printer Usage Guidelines](#)

Using Your Printer

Follow these guidelines as you use your printer:

- Operate the printer only within the specified operating temperature and humidity range for your product and your media.
- Check to make sure you maintain the specified humidity range, especially in dry areas or air conditioned environments.
- Keep the printer out of direct sunlight.
- Do not install the printer next to heat sources or directly in the path of exhaust from a ventilator or air conditioner. Failure to observe this precaution could result in the print head nozzles drying out and clogging.
- Make sure the product work space is kept free of dust or lint that could damage your product or clog the print head nozzles.
- Perform maintenance operations according to usage frequency or at the recommended intervals. Failure to perform regular maintenance could reduce print quality or damage the print head.

- If an error occurs and the printer is turned off without first resolving the error, the print head may not be in the home position, which may cause the print head to dry out. In this case, turn on the power and wait until the carriage is in the home position.
- When the printer is on, do not disconnect the power cable or cut the power at the circuit breaker. The print head may not be in the home position. In this case, turn on the power and wait a while until the print head is in the home position.

Note: To keep the print head in the optimum operating condition, ink is used in maintenance operations such as head cleaning.

Parent topic: [Printer Usage Guidelines](#)

Related concepts

[Print Head Maintenance](#)

Related references

[Environmental Specifications](#)

Storing Your Printer

Follow these guidelines if you need to store your printer for a long period:

- If the printer is not used for an extended period of time, the print head nozzles may become clogged. We recommend that you print once every week to prevent the nozzles from clogging.
- Remove any loaded media before storing the printer to prevent the pressure rollers from causing creases in the media, which may cause jams or damage to the print head.
- Make sure that the print head is in the home position before storing the printer. If it is left away from the home position for a long time, the print quality may decline. Turn the printer on and then off again to move the print head to the home position.
- Close all the covers on the printer to prevent dust and debris from getting in. If the printer will be not be used for an extended period of time, protect it with an anti-static cloth or other cover. The print head nozzles can become clogged if fine dust gets on the print head, and you may not be able to print properly.
- If the printer is turned on after an extended period of time with the power off, the printer may automatically perform head cleaning to ensure print quality.

Parent topic: [Printer Usage Guidelines](#)

Related concepts

[Print Head Maintenance](#)

Wi-Fi or Wired Networking

See these sections to use your product on a Wi-Fi or wired network.

[Network Security Recommendations](#)

[Wi-Fi Infrastructure Mode Setup](#)

[Wi-Fi Direct Mode Setup](#)

[Wi-Fi Protected Setup \(WPS\)](#)

[Printing a Network Status Sheet](#)

[Printing a Network Connection Report](#)

[Changing or Updating Network Connections](#)

Network Security Recommendations

To help deter unauthorized access to your product over a network, you should protect your network environment using appropriate security measures.

Security measures such as these can help deter threats such as loss of user data, use of telephone and fax lines, and other intrusions:

- **Enable security on your wireless LAN**

Enable the appropriate security on the wireless LAN you plan to use with your product. Network security such as a network password can deter interception of traffic over the wireless LAN. Your router may already have a default password enabled by your Internet service provider (ISP). See your ISP and router documentation for instructions on how to change the default password and better secure your network.

- **Connect your product only to a network protected by a firewall**

Connecting your product directly to the Internet may leave it vulnerable to security threats. Instead, connect it to a router or other network connection protected by a firewall. Your router may already have a firewall set up by your Internet service provider; check with your ISP for confirmation. For best results, set up and use a private IP address for your network connection.

- **Change the default administrator password on your product**

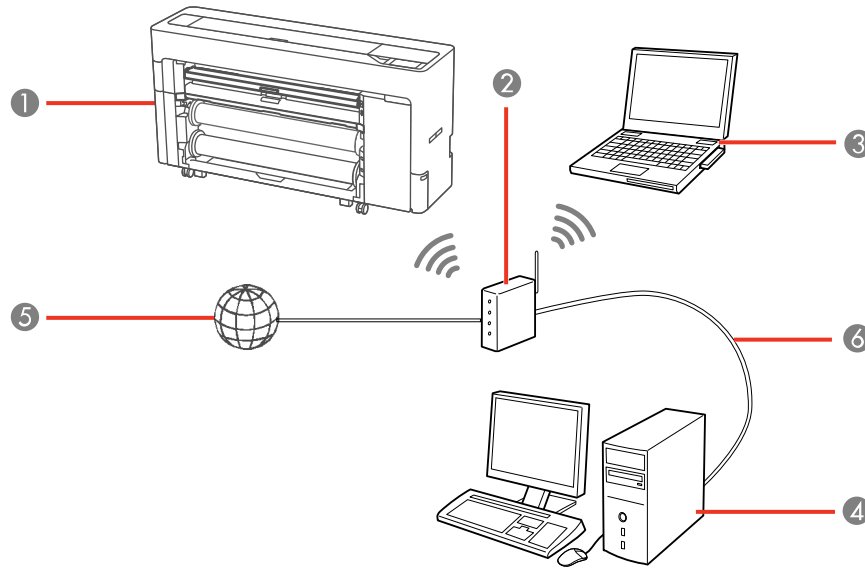
If your product has an option to set an administrator password, change the default administrator password to deter access by unauthorized users to personal data stored on your product, such as IDs, passwords, and contact lists.

Parent topic: [Wi-Fi or Wired Networking](#)

Wi-Fi Infrastructure Mode Setup

You can set up your product to communicate with your computer using a wireless router or access point. The wireless router or access point can be connected to your computer over a wireless or wired network.

Note: You cannot connect to a wired and wireless network at the same time.



- 1 Epson product
- 2 Wireless router or access point
- 3 Computer with a wireless interface
- 4 Computer
- 5 Internet
- 6 Ethernet cable (used only for wired connection to the wireless router or access point)

[Selecting Wireless Network Settings from the Control Panel](#)


Parent topic: [Wi-Fi or Wired Networking](#)

Selecting Wireless Network Settings from the Control Panel

You can select or change wireless network settings using your product control panel.

To install your product on a wireless network, install the necessary software by downloading it from the Epson website. The installer program guides you through network setup.

Note: This setting can be locked by an administrator. If you cannot access or change this setting, contact your administrator for assistance.

1. Select the  home icon, if necessary.
2. Select the  network icon.

Note: Icon may look different depending on connection status.




3. Select **Router > Start Setup** or **Change Settings > Wi-Fi Setup Wizard**.
4. Select the name of your wireless network or select **Enter Manually** to enter the name manually. Use the on-screen keyboard to enter your network name.


Note: If you enter the wireless network manually, select **Available** for **Password**, and then enter the password.


5. Select the **Enter Password** field and enter your wireless password using the on-screen keyboard.



Note: The network name and password are case sensitive. Be sure to correctly enter uppercase and lowercase letters, and numeric or special characters.

- To move the cursor, press the left or right arrows.
 - To enter numbers or symbols, select **123#**.
 - To change the case of letters, select .
 - To delete the previous character, select .
 - To enter a space, select **Space**.
6. Select **OK** when you finish entering your password.
 7. Confirm the displayed network settings and select **Start Setup** to save them.
 8. If you want to print a network connection report, select **Print Check Report**. (Otherwise, select **OK**.)
 9. Select the  home icon to exit.

You see the  Wi-Fi Direct icon on the LCD screen and should be able to connect to your product directly from your computer or device, and then print. If you are printing from a computer, make sure you installed the network software from the Epson website.

Note: If you don't see the  Wi-Fi Direct icon, you may have selected the wrong network name or entered the password incorrectly. Repeat these steps to try again.

Parent topic: [Wi-Fi Infrastructure Mode Setup](#)

Related references

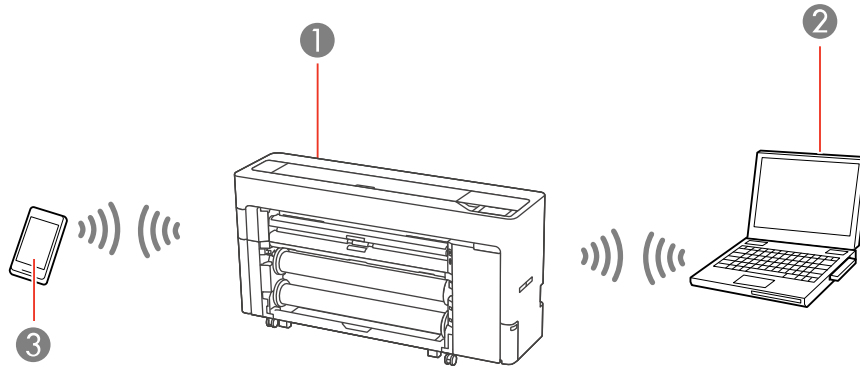
[Control Panel](#)

Related tasks

[Accessing the Web Config Utility](#)

Wi-Fi Direct Mode Setup

You can set up your product to communicate directly with your computer or another device without requiring a wireless router or access point. In Wi-Fi Direct Mode, the product itself acts as a network access point for up to 4 devices.



- 1 Epson product
- 2 Computer with a wireless interface
- 3 Other wireless device


[Enabling Wi-Fi Direct Mode](#)

Parent topic: [Wi-Fi or Wired Networking](#)

Enabling Wi-Fi Direct Mode

You can enable Wi-Fi Direct mode to allow direct communication between your product and computer or other devices without a wireless router or access point.

Note: This setting can be locked by an administrator. If you cannot access or change this setting, contact your administrator for assistance.


1. Select the  home icon, if necessary.
2. Select the  network icon.


Note: Icon may look different depending on connection status.


3. Select **Wi-Fi Direct > Start Setup > Start Setup**.

Wi-Fi Direct is enabled, and the Wi-Fi network name (SSID) and password are displayed.

Note: If Wi-Fi Direct is already enabled, the network name (SSID), password, number of connected devices, and general procedures for setting up other devices are displayed.

4. Use your computer or wireless device to select the Wi-Fi network name (SSID) displayed on the LCD screen, then enter the password shown.
5. When a connection is established, select **Close** to finish.
6. Select **Close** on LCD screen to close the network connection settings screen.
7. Select the  home icon to exit.

You see the  Wi-Fi Direct icon on the LCD screen and should be able to connect to your product directly from your computer or device, and then print. If you are printing from a computer, make sure you installed the network software from the Epson website.

Note: If you don't see the  Wi-Fi Direct icon on the LCD screen, you may have selected the wrong network name or entered the password incorrectly. Repeat these steps to try again.

Any connected devices will be disconnected when you turn off the printer. To reconnect after turning the printer back on, repeat these steps.

Parent topic: [Wi-Fi Direct Mode Setup](#)

Related references

[Control Panel](#)

Related tasks

[Accessing the Web Config Utility](#)

Wi-Fi Protected Setup (WPS)

If your network uses a WPS-enabled wireless router or access point, you can quickly connect your product to the network using Wi-Fi Protected Setup (WPS).

Note: To check if your router is WPS-enabled, look for a button labeled **WPS** on your router or access point. If there is no hardware button, there may be a virtual WPS button in the software for the device. Check your network product documentation for details.


[Using WPS to Connect to a Network](#)

Parent topic: [Wi-Fi or Wired Networking](#)


Using WPS to Connect to a Network


If you have a WPS-enabled wireless router or access point, you can use Wi-Fi Protected Setup (WPS) to connect your product to the network.


Note: This setting can be locked by an administrator. If you cannot access or change this setting, contact your administrator for assistance.

1. Select the  home icon, if necessary.
2. Select the  network icon.

Note: Icon may look different depending on connection status.

3. Select **Router > Start Setup or Change Settings > Push Button Setup (WPS)**.
4. Follow the instructions on the LCD screen to complete WPS setup.
5. Select the  home icon to exit.

You see the  Wi-Fi icon on the LCD screen and should be able to connect to your product directly from your computer or device, and then print. If you are printing from a computer, make sure you installed the product software from the Epson website.

Note: If you don't see the  Wi-Fi icon, restart the access point, move it closer to the printer, and repeat these steps to try again. If it still does not work, print a network connection report and check the solution.

Parent topic: [Wi-Fi Protected Setup \(WPS\)](#)

Related references

[Control Panel](#)

Related tasks

[Accessing the Web Config Utility](#)

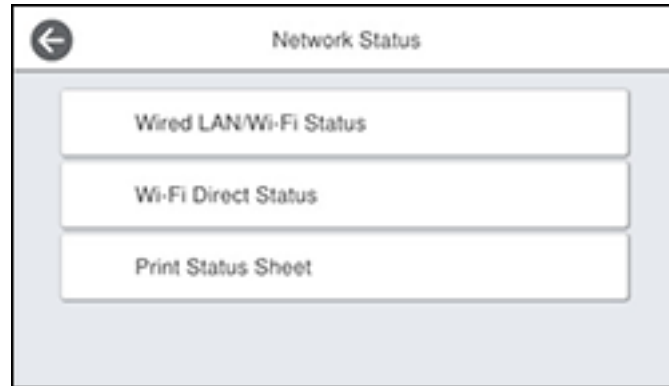
Printing a Network Status Sheet

You can print a network status sheet to help you determine the causes of any problems you may have using your product on a network.

Before you begin, make sure paper is loaded in the product.

1. Select the  Menu icon.
2. Select **General Settings > Network Settings > Network Status**.

You see a screen like this:



3. Select **Print Status Sheet > Print**.

Examine the settings shown on the network status sheet to diagnose any problems you have.


Parent topic: [Wi-Fi or Wired Networking](#)

Related tasks

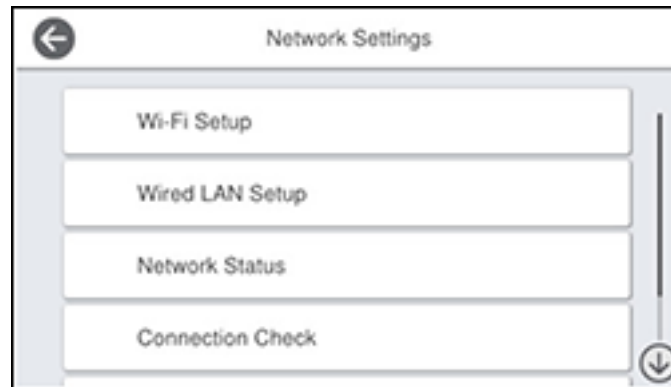
[Printing a Network Connection Report](#)

Printing a Network Connection Report

You can print a network connection report to view solutions to any problems you may have using your product on a network.

1. Select the  Menu icon.
2. Select **General Settings > Network Settings**.

You see a screen like this:



3. Select **Connection Check > Print Check Report**.
4. Select **Print**.

Examine the error codes and solutions shown on the network connection report.

[Network Connection Report Codes and Messages](#)

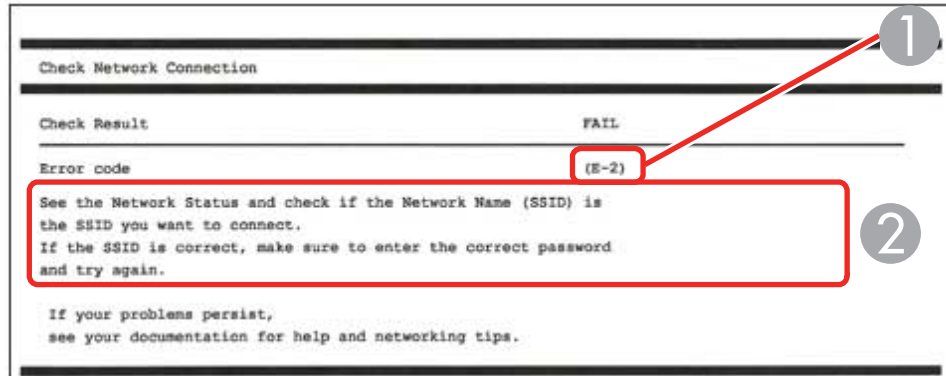
Parent topic: [Wi-Fi or Wired Networking](#)

Related tasks

[Printing a Network Status Sheet](#)

Network Connection Report Codes and Messages

Check the error codes and messages on the network connection report to solve problems you may encounter with network connections. The tables here list solutions to problems based on the error codes and messages that may appear on the top of the report.



- 1 Error code
- 2 Message

Note: Error codes and messages listed here may not all apply to your product.

Error Codes and Messages

Error code and message	Solution
E-1 Confirm that the network cable is connected and network devices such as hub, router, or access point are turned on.	Make sure your router, access point, and/or hub are turned on, and the network cable is securely connected to your device and to your product. If you are trying to set up Wi-Fi, remove the network cable and set up Wi-Fi again. Ethernet and Wi-Fi cannot be connected at the same time.

Error code and message	Solution
<p>E-2, E-3, or E-7</p> <p>No wireless network names (SSID) found. Confirm that the router/access point is turned on and the wireless network (SSID) is set up correctly. Contact your network administrator for assistance.</p> <p>No wireless network names (SSID) found. Confirm that the wireless network name (SSID) of the PC you wish to connect is set up correctly. Contact your network administrator for assistance.</p> <p>Entered security key/password does not match the one set for your router/access point. Confirm security key/password. Contact your network administrator for assistance.</p>	<p>Check the following:</p> <ul style="list-style-type: none"> • Make sure your router or access point is turned on, and is correctly connected to your computer or network device. • Turn off the router or access point, wait about 10 seconds, and turn it on again. • Move your product closer to your router or access point, and remove any obstacles between them. Also move your product away from devices such as wireless phones or microwaves. • Confirm that the SSID shown on the network connection report matches the label on your router or access point. Also make sure your SSID uses only ASCII characters and symbols, or your product cannot display the SSID correctly. • If you are trying to connect using the WPS push button method, make sure your router or access point supports it. • If you are using a network password, check the label on your router or access point to confirm that you are using the correct password, or check with your network administrator or router/access point documentation. • If you are connecting to a smart device that generates an SSID, check the device documentation for the SSID and password you should use. • If your wireless connection suddenly disconnects, and another smart device was added to the network using a WPS push button method or your network was set up using a non-WPS push button method, try downloading and installing your product software again.

Error code and message	Solution
<p>E-5 Security mode (e.g. WEP, WPA) does not match the current setting of the printer. Confirm security mode. Contact your network administrator for assistance.</p>	<p>If the security on your router or access point is not one of the following types, change the type of security on your router or access point and reset your product's network settings.</p>
<p>E-6 MAC address of your printer may be filtered. Check whether your router/access point has restrictions such as MAC address filtering. See the documentation of the router/access point or contact your network administrator for assistance.</p>	<p>If your router or access point has MAC address filtering enabled, register your product's MAC address so it is not filtered. Locate the MAC address on the network connection report and check your router or access point documentation for instructions.</p> <p>If your router or access point is using shared authentication with WEP security, confirm that you are using the correct authentication key and index.</p> <p>If your router or access point limits the number of connected devices, raise the connection limit. See your router or access point documentation for instructions.</p>
<p>E-8 Incorrect IP address is assigned to the printer. Confirm IP address setup of the network device (hub, router, or access point). Contact your network administrator for assistance.</p>	<p>If your product's Obtain IP Address setting is set to Auto, enable DHCP on your router or access point. If it is set to Manual, the IP address may be out of range or on a different network segment; set a valid IP address using your product control panel or the Web Config utility.</p> <p>You can also try turning off your product and the router or access point, waiting about 10 seconds, and turning them on again.</p>
<p>E-9 Confirm the connection and network setup of the PC or other device. Connection using the EpsonNet Setup is available. Contact your network administrator for assistance.</p>	<p>Make sure your computer or network device are turned on. Also make sure that you can access the Internet and other devices on the same network from the devices you are trying to connect to your product.</p> <p>If you still cannot connect to your product, turn off your router or access point, wait about 10 seconds, and turn it on again. Download and install your product software again to reset your network settings.</p>

Error code and message	Solution
<p>E-10</p> <p>Confirm IP address, subnet mask, and default gateway setup. Connection using the EpsonNet Setup is available. Contact your network administrator for assistance.</p>	<p>Make sure other devices on the network are turned on and do the following:</p> <ul style="list-style-type: none"> • If your product's Obtain IP Address setting is set to Manual, check the IP address, subnet mask, and default gateway addresses on the network connection report to see if they are correct. If not, correct the settings. • If DHCP is enabled, set your product's Obtain IP Address setting to Auto. If you want to use the DHCP-assigned address as a static address, set the Obtain IP Address setting to Manual, enter the product's IP address as listed on the network connection report, and set the subnet mask to 255.255.255.0. <p>If you still cannot connect to your product, turn off your router or access point, wait about 10 seconds, and turn it on again.</p>
<p>E-11</p> <p>Setup is incomplete. Confirm default gateway setup. Connection using the EpsonNet Setup is available. Contact your network administrator for assistance.</p>	<p>If you set your product's TCP/IP Setup setting to Manual, check that the default gateway address listed on the network connection report is correct. Also turn on the device that is set as the default gateway.</p>

Error code and message	Solution
<p>E-12</p> <p>Confirm the following:</p> <ul style="list-style-type: none"> -Entered security key/password is correct -Index of the security key/password is set to the first number -IP address, subnet mask, or default gateway setup is correct <p>Contact your network administrator for assistance.</p>	<p>Make sure other devices on the network are turned on and do the following:</p> <ul style="list-style-type: none"> • Make sure the IP address, subnet mask, and default gateway addresses are correct, if you are entering them manually. • Confirm that the subnet mask and default gateway addresses for other devices are the same. • Make sure the IP address does not conflict with other devices. <p>If you still cannot connect to your product, do the following:</p> <ul style="list-style-type: none"> • Turn off your router or access point, wait about 10 seconds, and turn it on again. • Download and install your product software again to reset your network settings. • If your router or access point uses WEP security with several registered passwords, make sure that the first registered password is set on your product.
<p>E-13</p> <p>Confirm the following:</p> <ul style="list-style-type: none"> -Entered security key/password is correct -Index of the security key/password is set to the first number -Connection and network setup of the PC or other device is correct <p>Contact your network administrator for assistance.</p>	<p>Make sure your router, access point, and/or hub are turned on. Also make sure the TCP/IP setup on your router, access point, and/or hub is not set manually; this may cause your product's network settings to differ from the manually set up devices.</p> <p>If you still cannot connect to your product, do the following:</p> <ul style="list-style-type: none"> • Turn off your router or access point, wait about 10 seconds, and turn it on again. • Download and install your product software again to reset your network settings. • If your router or access point uses WEP security with several registered passwords, make sure that the first registered password is set on your product.

Network Environment Messages

Message	Solution
The Wi-Fi environment needs to be improved. Turn the wireless router off and then turn it on. If the connection does not improve, see the documentation for the wireless router.	Move your product closer to your router or access point, and remove any obstacles between them. Then turn off your router or access point, wait about 10 seconds, and turn it back on again. If you still cannot connect to your product, check the documentation that came with your router or access point for solutions.
*No more devices can be connected. Disconnect one of the connected devices if you want to add another one.	You can connect up to 4 computers or other devices to your product using a Wi-Fi Direct (Simple AP) connection. If you want to add another device, disconnect an existing connected device first.
The same SSID as Wi-Fi Direct exists in the environment. Change the Wi-Fi Direct SSID if you cannot connect a smart device to the printer.	Change the Wi-Fi Direct SSID.

Parent topic: [Printing a Network Connection Report](#)

Related tasks

[Accessing the Web Config Utility](#)

[Selecting Wireless Network Settings from the Control Panel](#)

Changing or Updating Network Connections

See these sections to change or update how your product connects to a network.

Note: See the online *Administrator's Guide* for detailed information.

[Accessing the Web Config Utility](#)

[Changing a USB Connection to a Wi-Fi Connection](#)

[Changing a Wi-Fi Connection to a Wired Network Connection](#)

[Connecting to a New Wi-Fi Router](#)

[Disabling Wi-Fi Features](#)

Parent topic: [Wi-Fi or Wired Networking](#)

Accessing the Web Config Utility

You can select your product's network settings and confirm its operating status using a web browser. You do this by accessing your product's built-in Web Config utility from a computer or other device that is connected to the same network as your product.

Note: You can also access the Web Config utility from the product information area in the Epson Smart Panel app. For more information on the Web Config utility, see the online *Administrator's Guide*.

1. Print a network status sheet.
2. Locate the IP address for your product that is listed on the network status sheet.
3. On a computer or other device connected to the same network as your product, open a web browser.
4. Enter your product's IP address into the address bar and press **Enter**.

You see the available Web Config utility options.

Note: The administrator password is required to access the full capabilities of the Web Config utility. The default password is the product's serial number. Check the label on your product to locate the serial number.

Parent topic: [Changing or Updating Network Connections](#)

Related tasks

[Printing a Network Status Sheet](#)

[Setting a Password and Locking the Control Panel](#)

Changing a USB Connection to a Wi-Fi Connection

If you have already connected your product to your computer using a USB connection, you can change to a Wi-Fi connection.

1. Disconnect the USB cable from your product.
2. Uninstall your product software.
3. Download and install your product software from the Epson website using the instructions on the *Start Here* sheet.

Parent topic: [Changing or Updating Network Connections](#)

Related concepts

[Uninstall Your Product Software](#)

Changing a Wi-Fi Connection to a Wired Network Connection

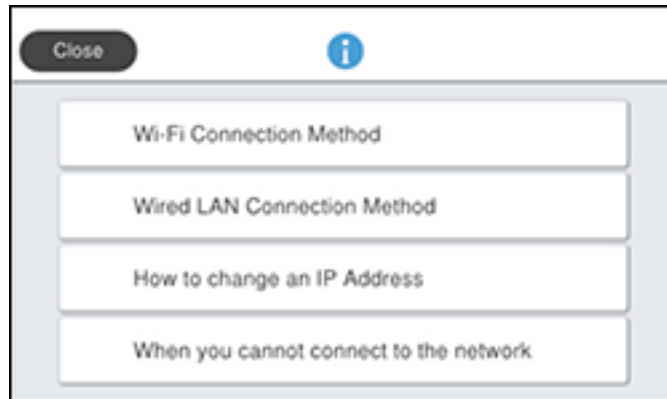
If you have already connected your product to your computer wirelessly, you can change to a wired network connection if necessary.

1. Select the 🏠 home icon, if necessary.
2. Select the 📶 network icon.

Note: Icon may look different depending on connection status.

3. Select **Description**.

You see a screen like this:



4. Select **Wired LAN Connection Method > Start Setup**.
The Wi-Fi connection is disabled. Select **OK**.
5. Connect one end of an Ethernet network cable to the product's **LAN** port.
6. Connect the other end to any available LAN port on your router or access point.

Parent topic: [Changing or Updating Network Connections](#)

Related references

[Product Parts - Back](#)

Connecting to a New Wi-Fi Router

If you change the wireless router you have been using on your network, you need to update your product's Wi-Fi connection to the new router.

Note for Latin America: If you are using a 5 GHz wireless router, set the router to operate in dual band (2.4 GHz and 5 GHz) mode. If your router uses a single network name (SSID) for both the 2.4 GHz and 5 GHz band, give each band its own network name (SSID) instead, such as Home Network 2.4 GHz and Home Network 5 GHz. See your router documentation or contact your internet service provider for instructions.

1. Do one of the following:
 - **Windows:** Uninstall your product software.
 - **Mac:** Go to the next step.
2. Download and install your product software from the Epson website using the instructions on the *Start Here* sheet.

Parent topic: [Changing or Updating Network Connections](#)

Related concepts



[Uninstall Your Product Software](#)

Disabling Wi-Fi Features

You may need to disable your product's Wi-Fi features if you change your network connection type or need to solve a problem with your network connection.

Note: Before disabling Wi-Fi features, make a note of your product's SSID (network name) and password.

Note: This setting can be locked by an administrator. If you cannot access or change this setting, contact your administrator for assistance.

1. Select the  home icon, if necessary.
2. Select the  network icon.

Note: Icon may look different depending on connection status.

3. Select **Router > Start Setup** or **Change Settings > Others > Disable Wi-Fi**.
4. Select **Yes** to disable Wi-Fi.

Parent topic: [Changing or Updating Network Connections](#)

Related references

[Control Panel](#)

Related tasks

[Accessing the Web Config Utility](#)

Media Handling

See these sections to load and handle media on your product.

Note: The illustrations in this section show a dual roll model, but the instructions are the same for single roll models unless noted otherwise.

[Media Handling Precautions](#)

[Roll Paper Handling](#)

[Cut Sheet Handling](#)

[Creating Custom Paper Settings](#)

[Paper Feed Adjustment](#)

[About Auto Take-up \(Dual Roll Models Only\)](#)

[Available Epson Papers](#)

[Borderless Paper Type Compatibility](#)

[Supported Paper Widths](#)

[Paper or Media Type Settings - Printing Software](#)

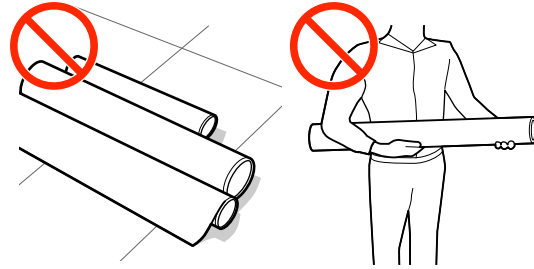
[Selecting the Paper Settings for Each Source - Control Panel](#)

Media Handling Precautions

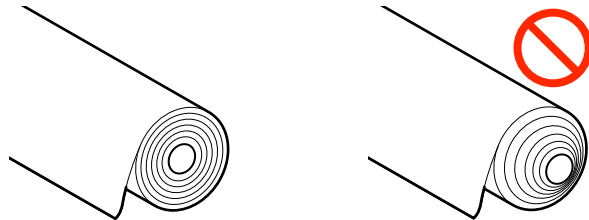
Follow these guidelines as you load media in your product and remove printed media:

- Maintain a constant room temperature when using Epson special media; optimal conditions are between 59 °F (15 °C) and 77 °F (25 °C), with 40 to 60% humidity. Changes in temperature and humidity may cause paper to become wavy or curled.
- Avoid touching the printable surface of the paper with your bare hands; moisture and oils from your hands can affect print quality.
- Do not rub your hands along the edges of the media; the sharp edges could cut you. Wear cotton gloves when handling media, if possible.
- Media is very heavy, so use at least two people to carry the rolls.
- Do not fold the media or otherwise damage its printable surface; do not get the media wet.

- Do not place unwrapped media directly on the floor or press it against your clothing to avoid damaging the media surface. Make sure media is clean from debris and dust before loading.



- Load media just before printing on it to avoid creases from the pressure rollers; creases may cause jams or cause the media to rub against the print head. Remove roll paper that is not in use from the printer; if roll paper is left in the printer for a long period of time, paper quality may decline.
- Do not load media if the edges are uneven on the roll; this could cause feeding problems. Rewind the media on the roll or use a different roll.



- Place unused media in its original packaging for storage. Keep the media dry and avoid storage locations that are subject to direct sunlight, excessive heat, or high humidity. Store cut sheets flat to prevent curling.
- Do not use media that is too thick, too thin, wrinkled, torn, creased, or curled. Flatten the paper before use by bending it in the opposite direction. For roll paper, cut off any damaged ends and reload the roll. For cut sheets, use new paper.
- Make sure to remove any protective tape from the media before loading, otherwise paper jams could occur.
- Dry printed media completely before folding or stacking it. Do not touch, rub, or scratch the printed surface, otherwise you may damage the print.

- Do not place prints in an album before they are completely dry, otherwise you may blur the ink.
- Do not use a dryer to dry the prints.
- Display and store printed media as instructed in the media documentation.
- Typically, prints and photos can fade over time due to the effects of light and various environmental factors. This also applies to Epson special media, however, the degree of color distortion can be minimized by following proper storage procedures. See the documentation supplied with Epson special media for detailed information on handling the paper after printing.

Note: The colors of photos, posters, and other printed materials may appear different under different lighting conditions.

Parent topic: [Media Handling](#)

Roll Paper Handling

Follow the instructions in these sections to load, cut, and remove roll paper in your product.

Note: Some menu options may differ slightly depending on your model, but the procedures are the same unless noted otherwise.

[Loading Roll 1/Roll Paper](#)

[Loading Roll 2 \(Dual Roll Models Only\)](#)

[Cutting Roll Paper](#)

[Removing Roll 1/ Roll Paper](#)

[Removing Roll 2 \(Dual Roll Models Only\)](#)

Parent topic: [Media Handling](#)

Loading Roll 1/Roll Paper

You can load roll paper with a 2- or 3-inch core and a compatible width (see the link below). Load roll paper onto the spindle before loading the roll paper in the printer.

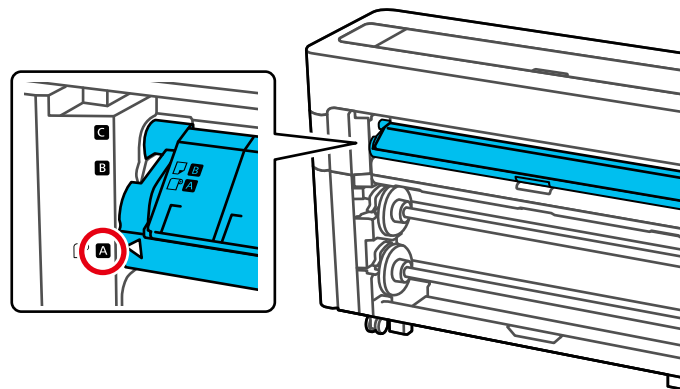
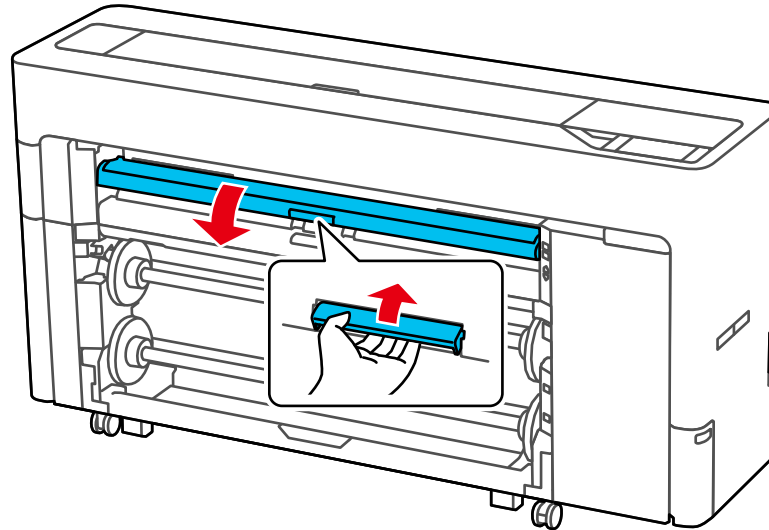
Note: On single roll models (SureColor P6570E/T3770E), **Roll 1** appears as **Roll** on the LCD screen. The images in this section show a dual roll model, but the instructions are the same unless otherwise noted.

1. Remove any tape and protective paper from the end of the roll. Make sure the paper is cut straight across to avoid paper feeding problems.

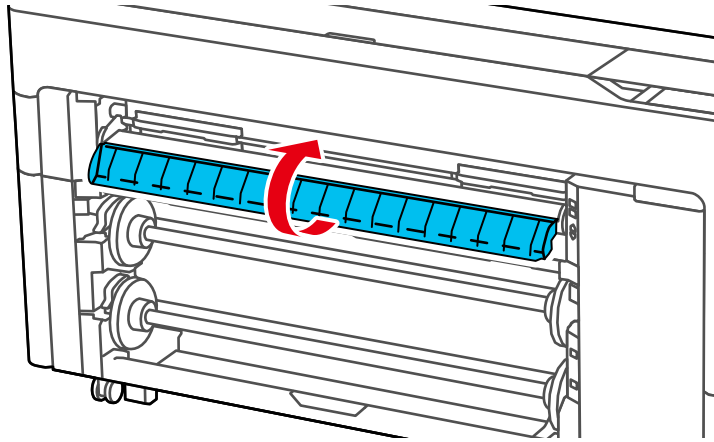
2. Make sure **Load paper** is displayed on the home screen.

Note: When roll paper is not loaded, - - - is displayed.

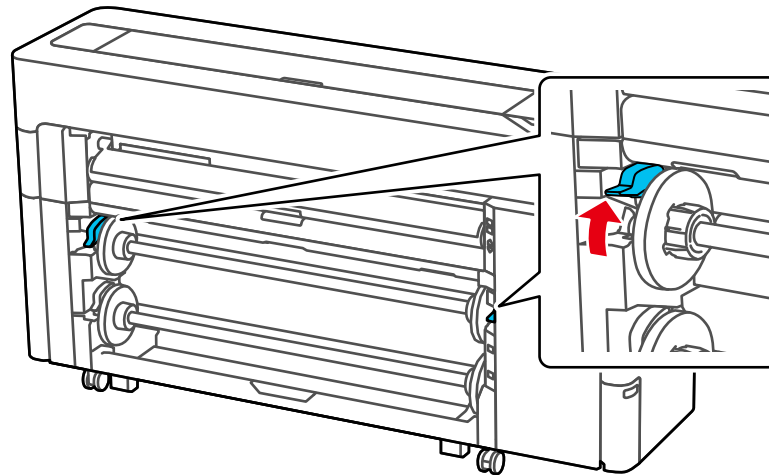
3. Select - - - > **Roll 1** or **Roll** > **OK**.
4. Lift up the paper support lock lever, then move the paper support down to position **A** (the lowest position) as shown.



Note: Close the paper output flap if it is open.

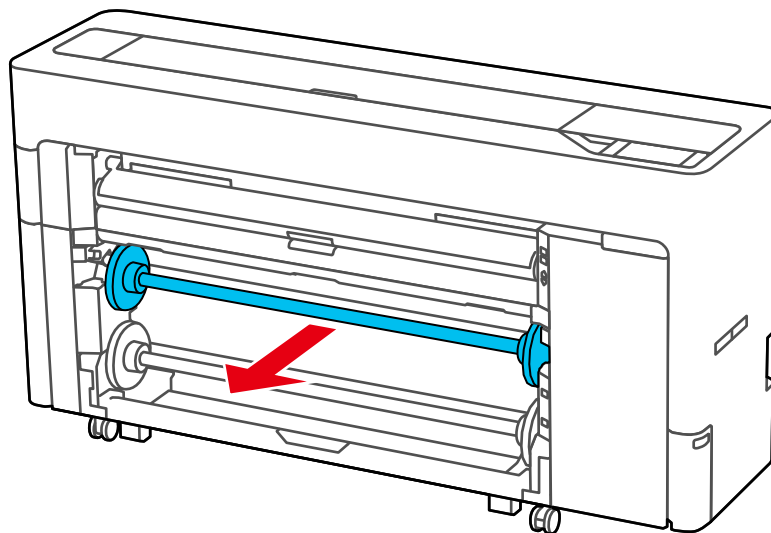


5. Pull up the lock lever on the roll paper holder.

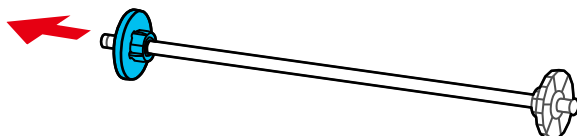


Note: Make sure you pull the lock lever all the way up to unlock it completely.

6. Remove the spindle.

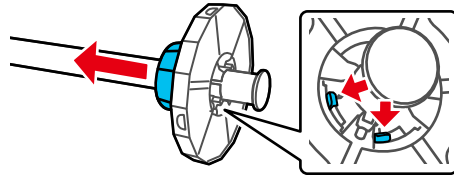
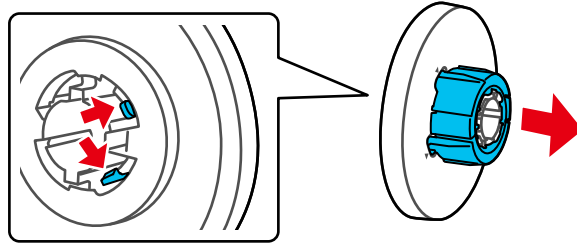


7. Remove the transparent paper stop from the spindle.

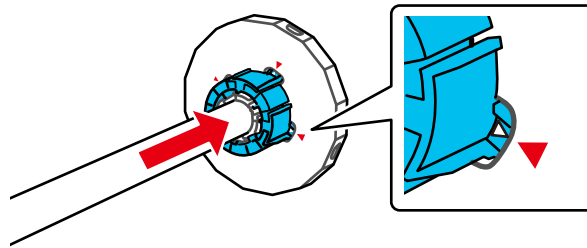
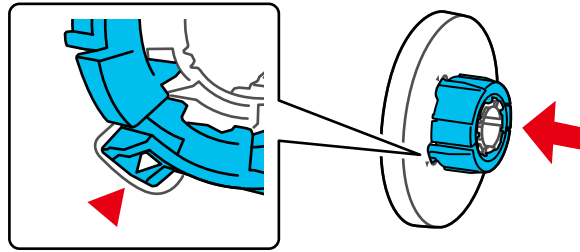


8. Do one of the following:

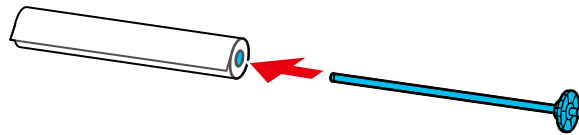
- **2-inch roll core:** If installed, remove the core adapters from both paper stops. Push the two tabs on each paper stop to remove the adapter.



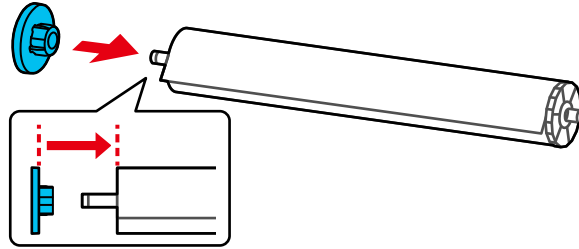
- **3-inch core:** Install the core adapters on both paper stops. Align the triangle marks on the paper stop with the triangle marks on the adapter and push the adapter in until the tabs are secured.



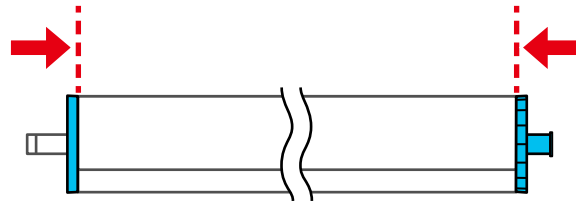
9. Insert the spindle into the roll paper core as shown, with the leading edge of the roll paper facing towards you. Push the fixed paper stop against the roll paper until there is no gap between the paper stop and the roll paper.



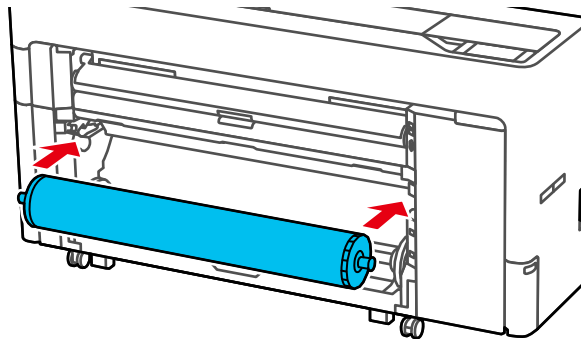
10. Attach the transparent paper stop to the spindle and press it in until there is no gap between the paper stop and the roll paper.



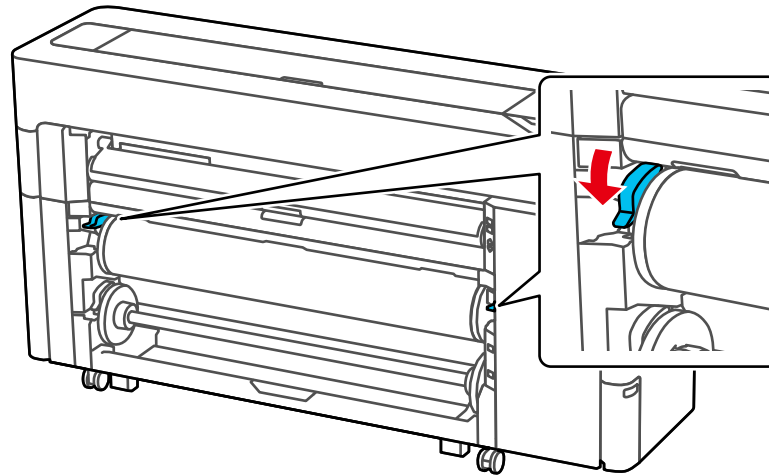
11. Make sure both paper stops are flush against the roll paper.




12. Place the spindle into the grooves on the printer with the black paper stop on the right.



13. Push down the lock lever on the roll paper holder to lock it in place.



14. On the LCD screen, select  > **Paper Setting** > **Roll 1** or **Roll** > **Paper Type** and select the paper type that matches the loaded paper.

Note: It is important to select the correct media type for each loaded media. Most Epson media will be loaded with the driver installation. If the paper type is not displayed on the control panel or in the printer driver, you can create a custom paper setting using the control panel, Epson Media Installer, or Epson Edge Print. (For details on how to use Epson Edge Print, see the help information in the software.)

For non-Epson media, consult the manufacturer's website for appropriate media types. If you do not select settings within 90 seconds, the printer uses the displayed settings automatically.

15. To track the amount of paper remaining on the roll (recommended), do the following:
- Select **Roll 1** or **Roll** > **Paper Remaining** and set **Remaining Amount Management** to **On**.
 - Select **Remaining Amount** and enter the length of the roll paper.
 - If you want to be notified when paper is low, select **Remaining Alert** and enter an amount.

Note: When you enable **Remaining Amount Management**, the printer prints a barcode on the leading edge of the roll when you remove the roll paper. When you reload the paper, the printer reads the barcode and automatically sets the paper type and amount remaining.

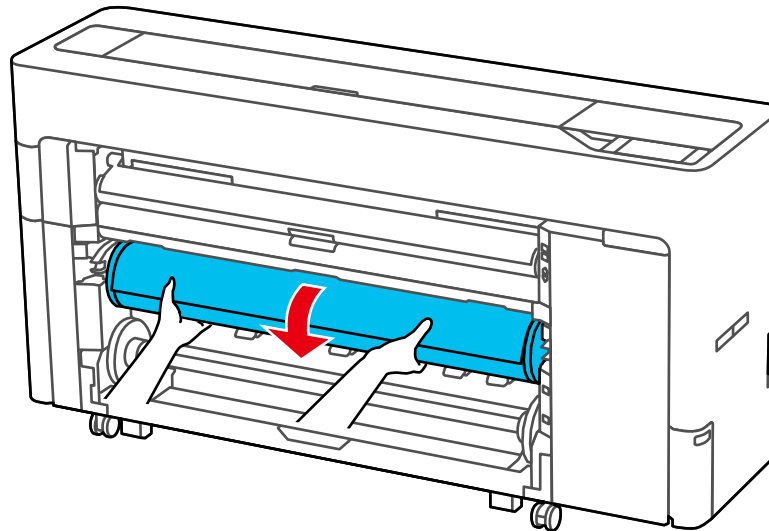
16. Select **Advanced Paper Settings** and set any additional settings, if necessary.

17. Select **OK** when you are finished.

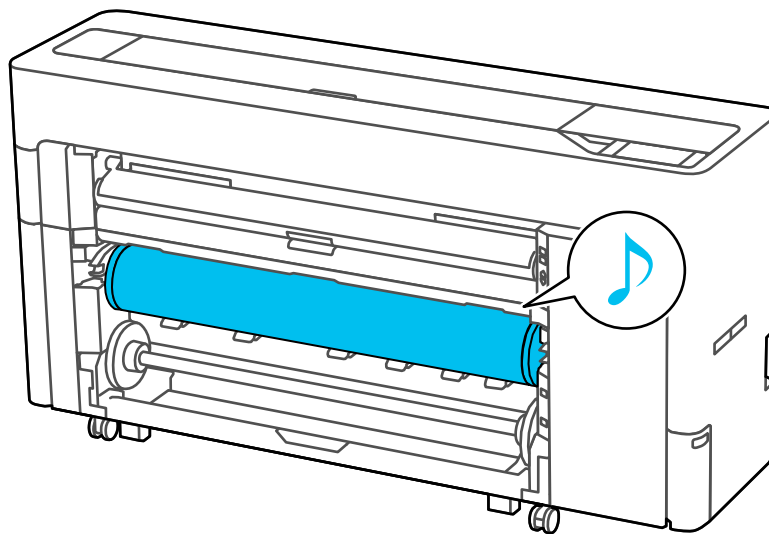
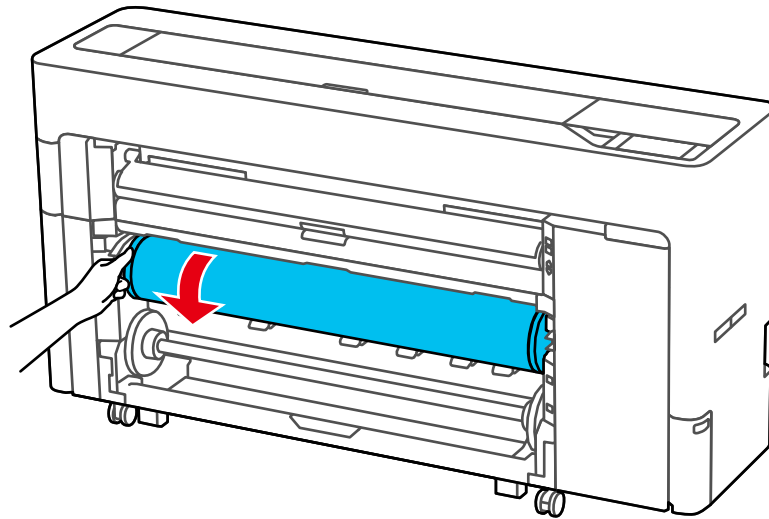
The paper will automatically feed into the printer.

18. If **Roll Paper Setup > Auto Loading > Off** is selected in the Printer Settings menu, or if the roll paper doesn't feed automatically, do the following to manually feed the paper:

- Gently turn the paper roll and guide the leading edge of the paper into the paper feed slot. Make sure the roll paper is taut and the leading edge is not folded.

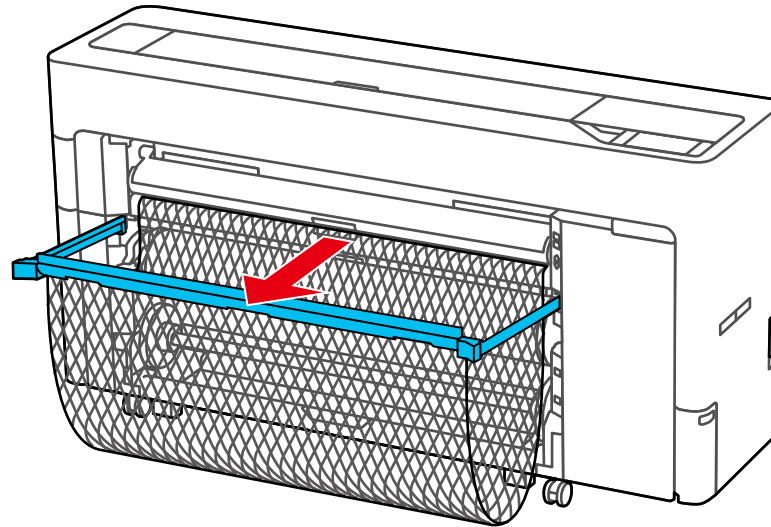


- Insert the leading edge of the paper into the paper feed slot until you hear a sound.



19. A message appears on the LCD screen when your printer is ready to print.

20. Pull out the paper basket, if necessary.



You can stack one sheet at a time in the paper basket. When printing multiple sheets, remove the ejected paper so that printouts do not accumulate in the basket.

Note: If you are printing banners or other media larger than can fit in the paper basket, do not pull out the paper basket. Hold the ejected paper in both hands and support it so that the paper does not touch the floor.

Parent topic: [Roll Paper Handling](#)

Related references

[Roll Paper Options - Windows](#)

[Paper Setting Menu](#)

[Paper Specifications](#)

[Available Epson Papers](#)

[Supported Paper Widths](#)

Related tasks

[Removing Roll 1/ Roll Paper](#)

[Selecting Advanced Settings - Mac](#)

Loading Roll 2 (Dual Roll Models Only)

You can load roll paper with a 2- or 3-inch core and a compatible width (see the link below). Load roll paper onto the spindle before loading the roll paper in the printer.

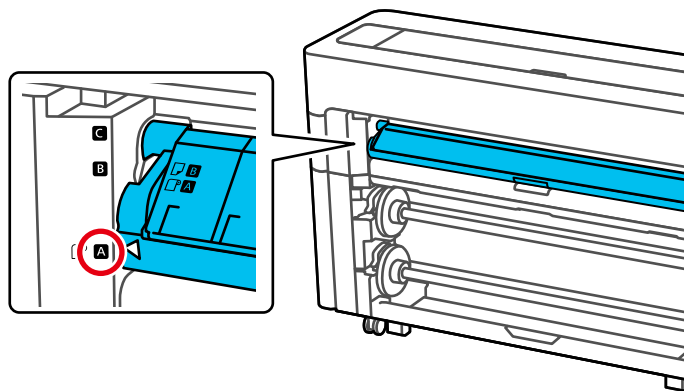
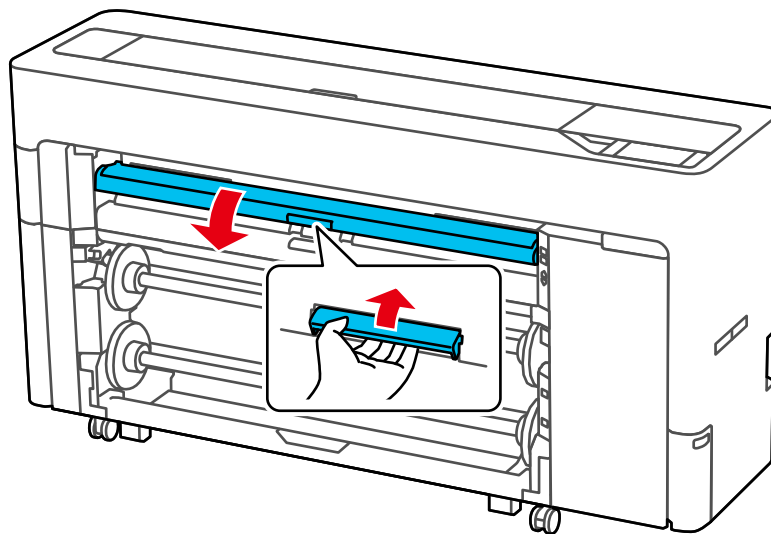
Note: Roll 2 is not available on SureColor P6570E/T3770E.

1. Remove any tape and protective paper from the end of the roll. Make sure the paper is cut straight across to avoid paper feeding problems.
2. Make sure **Load paper** is displayed on the home screen.

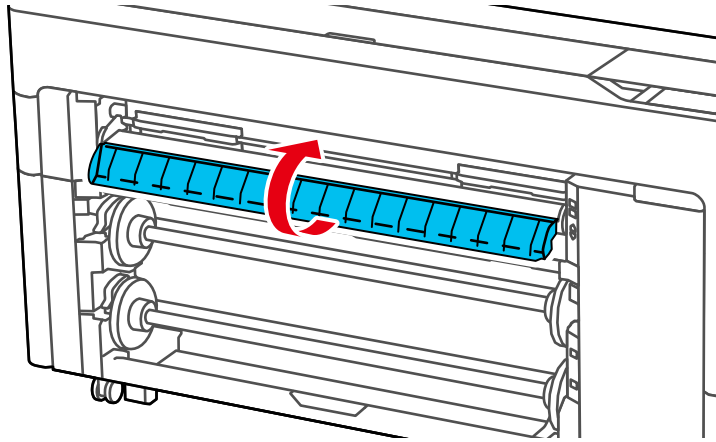
Note: When roll paper is not loaded, - - - is displayed.

3. Select - - - > **Roll 2** > **OK**.

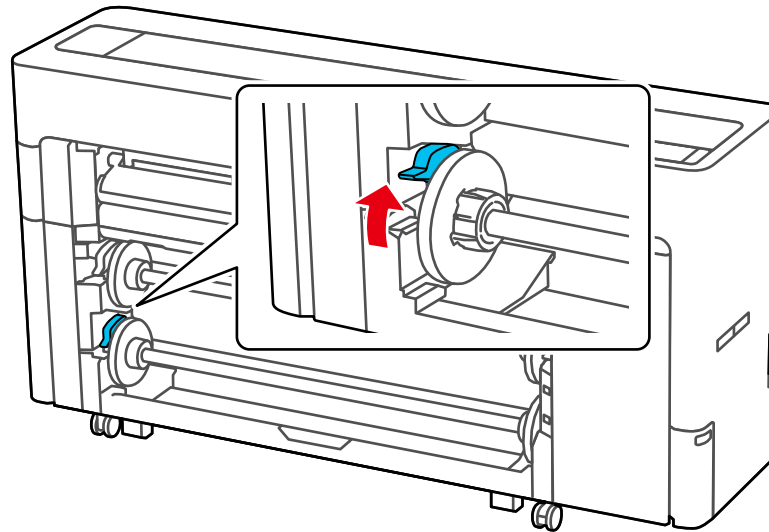
4. Lift up to release the paper output tray, then gently pull the tray open and place it into position **A** (the lowest position) as shown.



Note: Close the paper output flap if it is open.

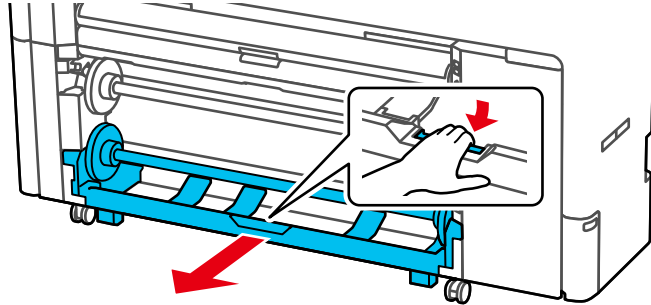


5. Pull up the lock lever on the roll paper holder.

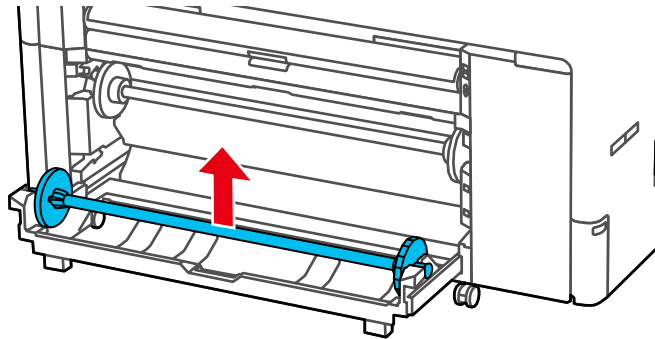


Note: Make sure you pull the lock lever all the way up to unlock it completely.

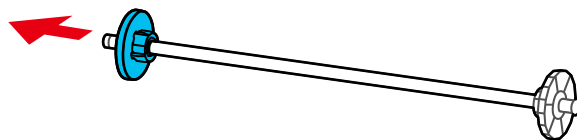
6. Pull out the Roll 2 unit.



7. Remove the spindle.

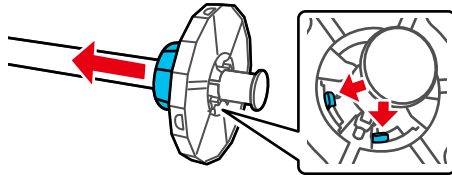
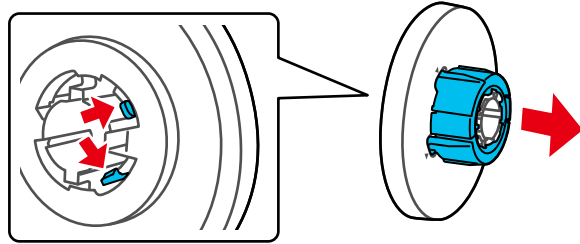


8. Remove the transparent paper stop from the spindle.

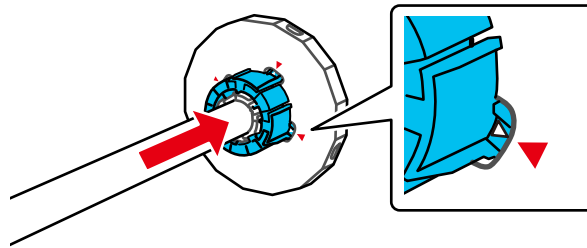
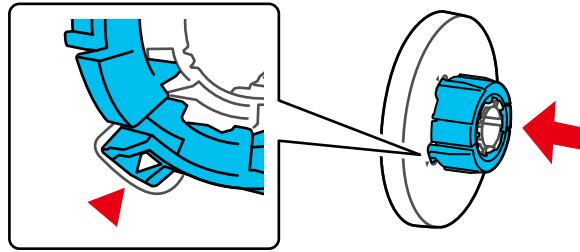


9. Do one of the following:

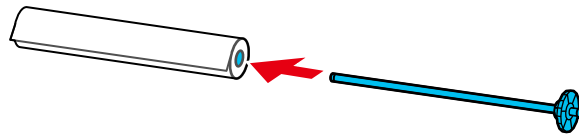
- **2-inch roll core:** If installed, remove the core adapters from both paper stops. Push the two tabs on each paper stop to remove the adapter.



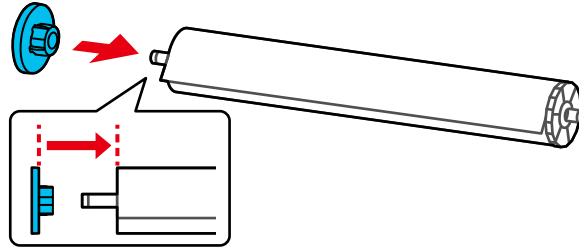
- **3-inch core:** Install the core adapters on both paper stops. Align the triangle marks on the paper stop with the triangle marks on the adapter and push the adapter in until the tabs are secured.



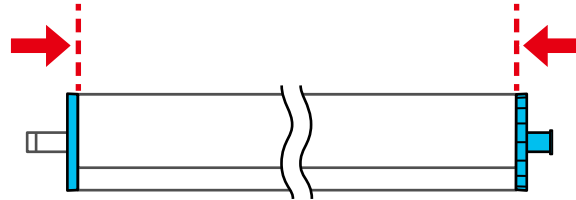
10. Insert the spindle into the roll paper core as shown, with the leading edge of the roll paper facing towards you. Push the fixed paper stop against the roll paper until there is no gap between the paper stop and the roll paper.



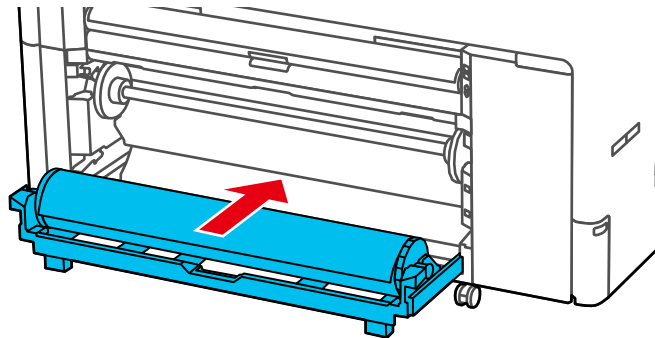
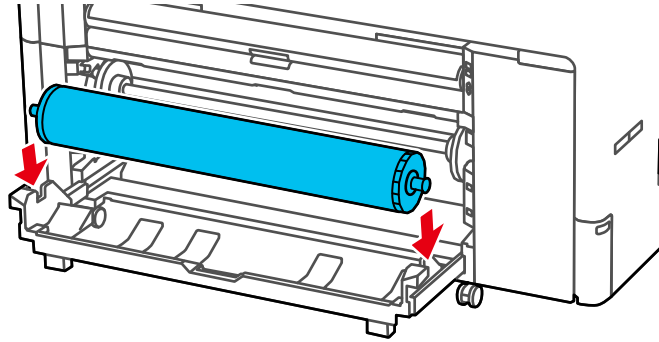
11. Attach the transparent paper stop to the spindle and press it in until there is no gap between the paper stop and the roll paper.



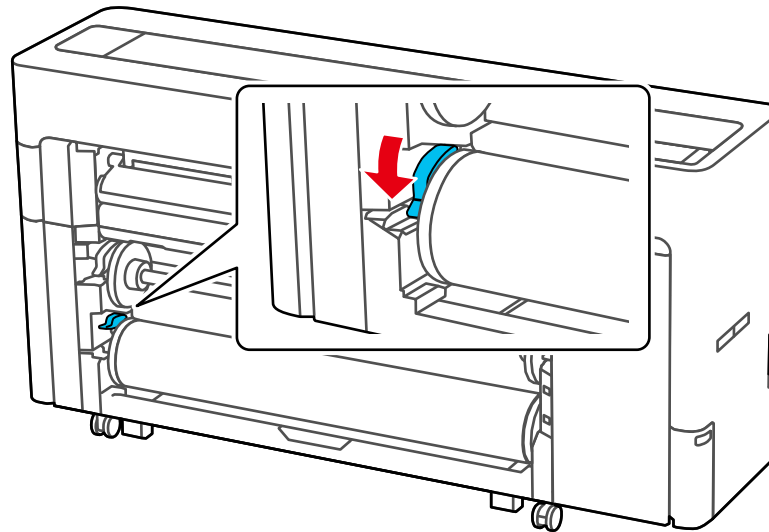
12. Make sure both paper stops are flush against the roll paper.



13. Place the spindle into the grooves on the Roll 2 unit with the black end of the spindle on the right, then push the Roll 2 unit in.



14. Push down the lock lever on the roll paper holder to lock it in place.



15. On the LCD screen, select  > **Paper Setting** > **Roll 2** > **Paper Type** and select the paper type that matches the loaded paper.

Note: It is important to select the correct media type for each loaded media. Most Epson media will be loaded with the driver installation. If the paper type is not displayed on the control panel or in the printer driver, you can create a custom paper setting using the control panel, Epson Media Installer, or Epson Edge Print. (For details on how to use Epson Edge Print, see the Epson Edge Print manual.)

For non-Epson media, consult the manufacturer's website for appropriate media types. If the roll paper has a barcode printed on it, the printer reads it and automatically loads the correct settings. If you do not select settings within 90 seconds, the printer uses the displayed settings automatically.

16. To track the amount of paper remaining on the roll (recommended), do the following:
- Select **Roll 1** > **Paper Remaining** and set **Remaining Amount Management** to **On**.
 - Select **Remaining Amount** and enter the length of the roll paper.

- If you want to be notified when paper is low, select **Remaining Alert** and enter an amount.

Note: When you enable **Remaining Amount Management**, the printer prints a barcode on the leading edge of the roll when you remove the roll paper. When you reload the paper, the printer reads the barcode and automatically sets the paper type and amount remaining.

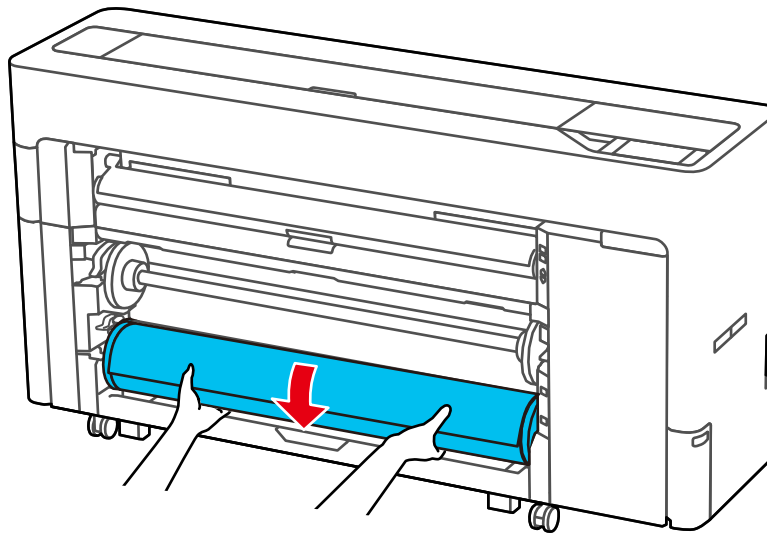
17. Select **Advanced Paper Settings** and set any additional settings, if necessary.

18. Select **OK** when you are finished.

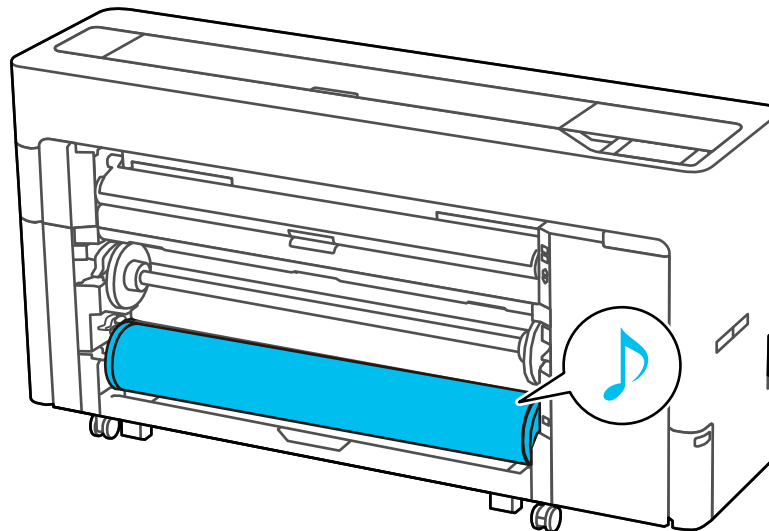
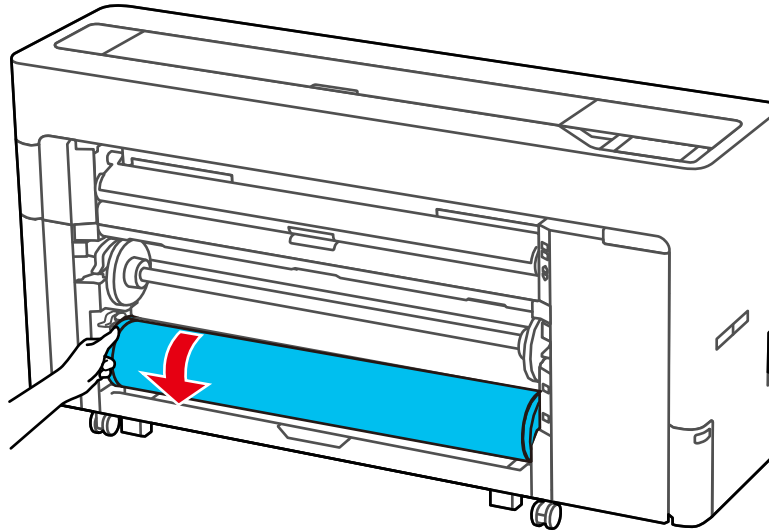
The paper will automatically feed into the printer.

19. If **Roll Paper Setup > Auto Loading > Off** is selected in the Printer Settings menu, or if the roll paper doesn't feed automatically, do the following to manually feed the paper:

- Gently turn the paper roll and guide the leading edge of the paper into the paper feed slot. Make sure the roll paper is taut and the leading edge is not folded.

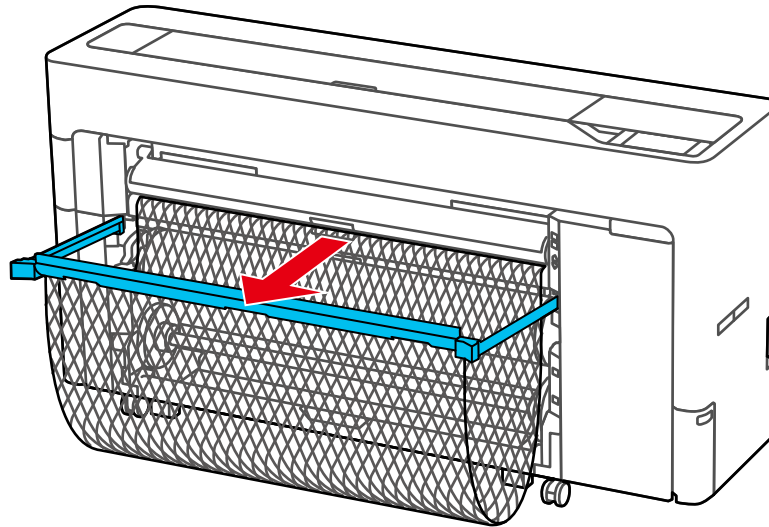


- Insert the leading edge of the paper into the paper feed slot until you hear a sound.



20. A message appears on the LCD screen when your printer is ready to print.

21. Pull out the paper basket, if necessary.



You can stack one sheet at a time in the paper basket. When printing multiple sheets, remove the ejected paper so that printouts do not accumulate in the basket.

Note: If you are printing banners or other media larger than can fit in the paper basket, do not pull out the paper basket. Hold the ejected paper in both hands and support it so that the paper does not touch the floor.

Parent topic: [Roll Paper Handling](#)

Related references

[Roll Paper Options - Windows](#)

[Paper Setting Menu](#)

[Paper Specifications](#)

[Available Epson Papers](#)

[Supported Paper Widths](#)


Related tasks

[Removing Roll 2 \(Dual Roll Models Only\)](#)

[Selecting Advanced Settings - Mac](#)

Cutting Roll Paper

The printer has a built-in cutter that can automatically cut most paper types or you can cut your prints manually. When Auto Cut is turned on, paper is automatically cut after each page prints, or if the roll paper leading edge is not straight.

To switch between automatic or manual cutting methods, select  > **General Settings > Printer Settings > Paper Source Settings > Roll Paper Setup > Cut Settings > Auto Cut** on the control panel or adjust the auto cut settings in the printer driver. The setting selected in the printer driver overrides the control panel setting.

Caution: Do not use the built-in cutter with these paper types or you may damage or dull the blade:

- Fine art paper
- Canvas
- Vinyl
- Matte poster board
- Adhesive paper
- Banner media

When you print on these paper types, you need to disable the Auto Cut setting and cut the print manually. You can print cutting guidelines to help you.

[Cutting Roll Paper Manually](#)

[Printing Cutting Guidelines](#)

Parent topic: [Roll Paper Handling](#)

Related references

[Roll Paper Options - Windows](#)

Related tasks

[Selecting Advanced Settings - Mac](#)


[Removing the Auto Take-up Media](#)

Cutting Roll Paper Manually

You can disable the Auto Cut option to keep your prints on the roll until you manually cut them using the built-in cutter.

1. Turn off the **Auto Cut** setting in the printer driver or the control panel, depending on the situation:
 - If you want to cut the paper manually, turn off the setting in the printer driver. Select **Advanced > Roll Paper Option > Auto Cut**.

Note: The **Auto Cut** setting in the printer driver takes priority over the setting in the control panel. The printer driver setting returns to automatic cutting when you close the application.


 - If you are using a paper type that cannot be cut with the built-in cutter, turn off the setting in the control panel. From the roll paper information area, select **Advanced Paper Settings > Auto Cut > Off**.
2. Print your document.
3. Select  > **Paper Setting > paper source > Feed/Cut Paper**.
4. To move the paper into a cutting position, press and hold **Forward** or **Backward** until the cut location reaches the cutting position labeled on the printer.
5. Cut the paper, depending on the situation:
 - If the auto cut setting is turned off only in the printer driver, the paper is cut and the paper leading edge returns to the print wait position.
 - If the auto cut setting is turned off in the control panel, select **Cut** to manually cut the paper with scissors or select **Print Cutting Guideline** to print a line on the paper to guide with manual cutting.

Note: If the paper cannot be cut by the built-in cutter, select **Forward** until your print is clear of the printer, then cut the print by hand.

Parent topic: [Cutting Roll Paper](#)

Printing Cutting Guidelines

When you disable the Auto Cut setting, you can print a cutting guideline between print jobs as a guide for manual cutting.

1. Select  > **General Settings > Printer Settings > Paper Source Settings > Roll Paper Setup > Cut Settings**.
2. Turn off the **Auto Cut** setting.
3. Select **Print Cutting Guideline > On** to print cut lines on roll paper.

Note: Cut guidelines are not available when printing on cut sheets or poster board.

Parent topic: [Cutting Roll Paper](#)

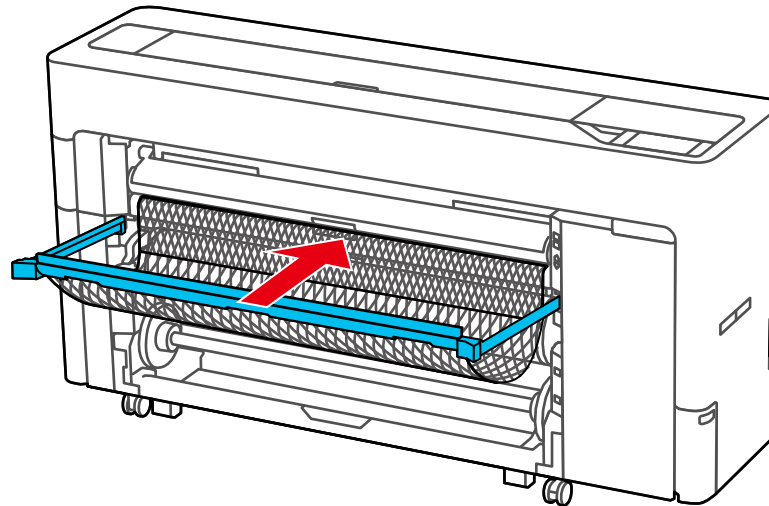
Removing Roll 1/ Roll Paper

When you finish printing on roll paper, remove it from the printer to avoid indenting or creasing the paper.

Note: On single roll models (SureColor P6570E/T3770E), **Roll 1** appears as **Roll** on the LCD screen. The images in this section show a dual roll model, but the instructions are the same unless otherwise noted.

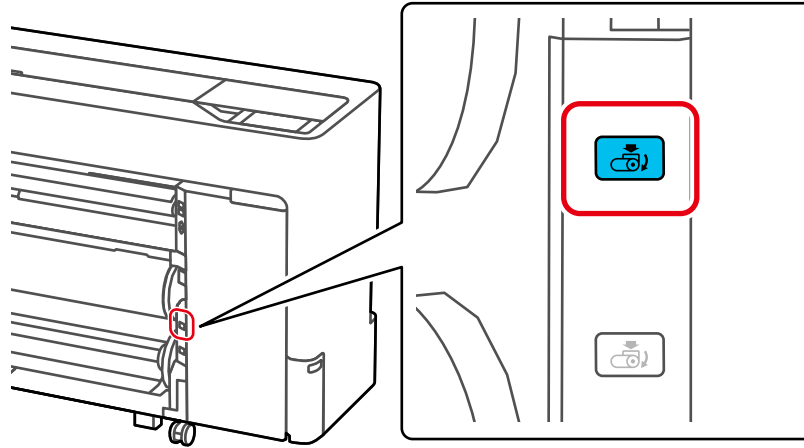
Note: If you enabled **Remaining Amount Management**, the printer prints a barcode on the leading edge of the roll when you remove the roll paper. When you reload the paper, the printer reads the barcode and automatically sets the paper type and amount remaining.

1. Store the paper basket, if necessary.




2. On the LCD screen, select  > **Paper Setting** > **Roll 1** or **Roll** > **Remove**.

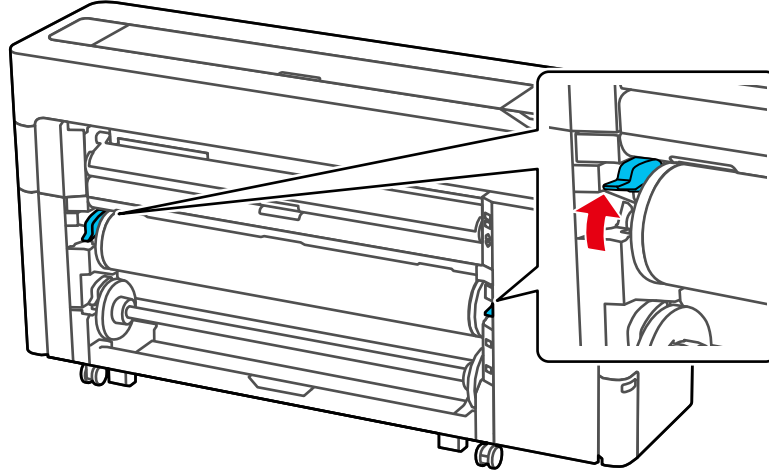
Note: You can also eject the roll paper by pressing the Roll 1 release button.



The printer rewinds the roll paper.

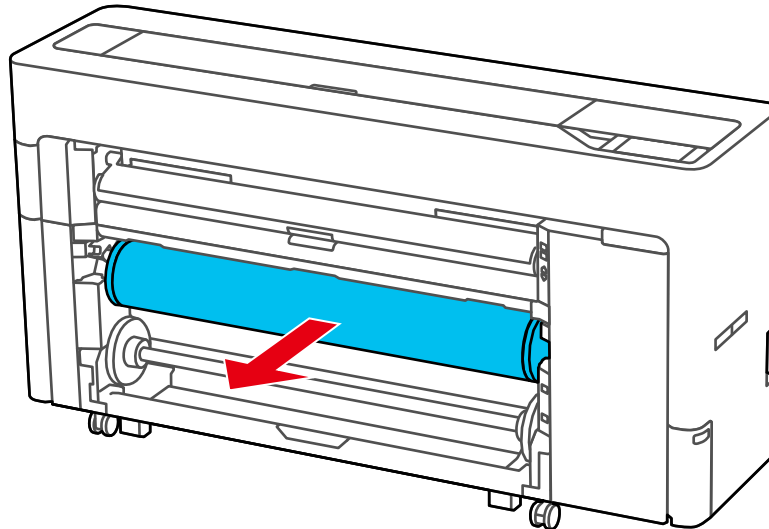
Note: If printed paper is not cut and remains loaded in the printer, select  > **Paper Setting** > **Roll 1** or **Roll** > **Feed/Cut Paper** and adjust the cutting position to cut the roll paper.

3. Pull up the lock lever on the roll paper holder to release it.

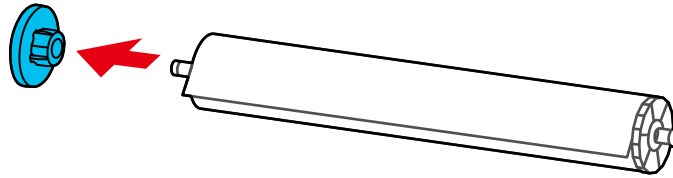


Note: Make sure you pull the lock lever all the way up to unlock it completely.

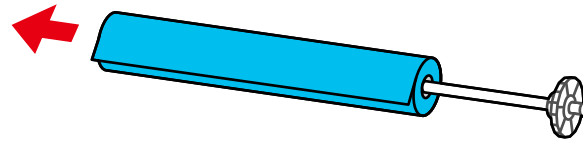
4. Lift the roll paper out of the printer to remove it.



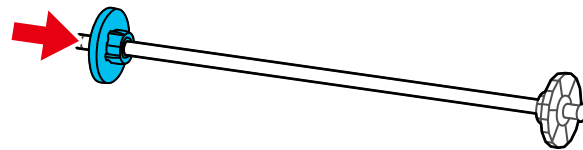
5. Remove the transparent paper stop from the spindle.



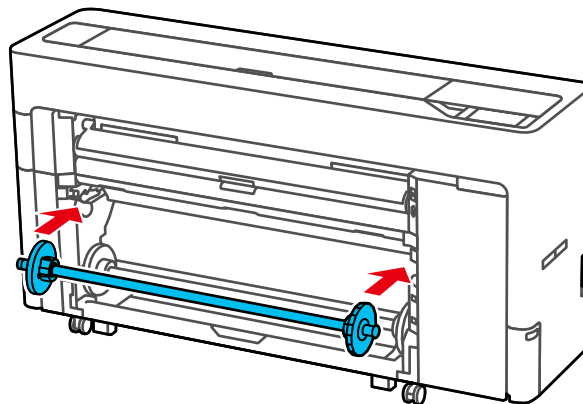
6. Remove the spindle from the roll paper.



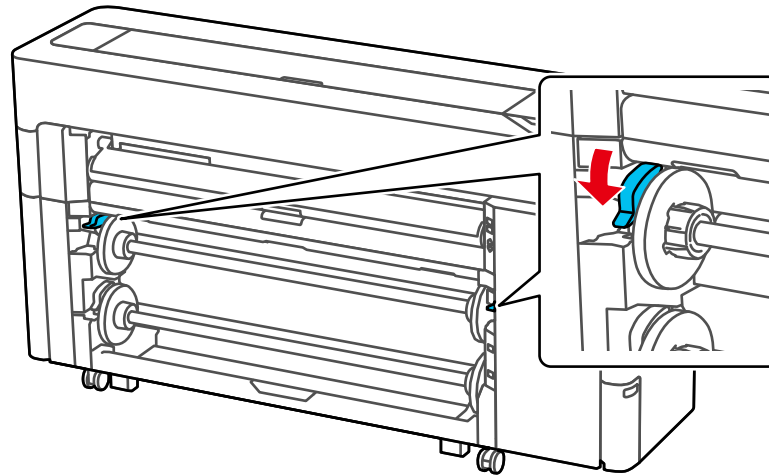
7. Reattach the transparent paper stop to the spindle.



8. Place the spindle into the grooves on the printer with the black end of the spindle on the right.



9. Push down the lock lever on the roll paper holder to lock it in place.



10. Rewind the paper carefully and place it in its original package.

Note: Store roll paper on its end or horizontally (if the packaging end-caps are installed). Never store roll paper on its edge, as a flat spot can develop and lead to imaging artifacts on the prints. Do not store roll paper in dusty areas. Print head maintenance and cleanings increase if dust accumulates on the paper.

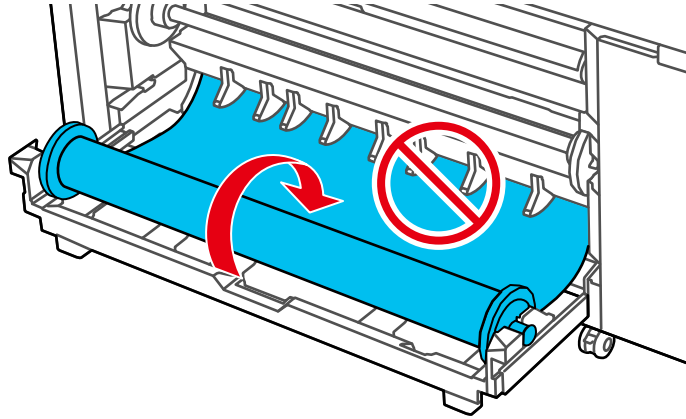
Parent topic: [Roll Paper Handling](#)

Removing Roll 2 (Dual Roll Models Only)

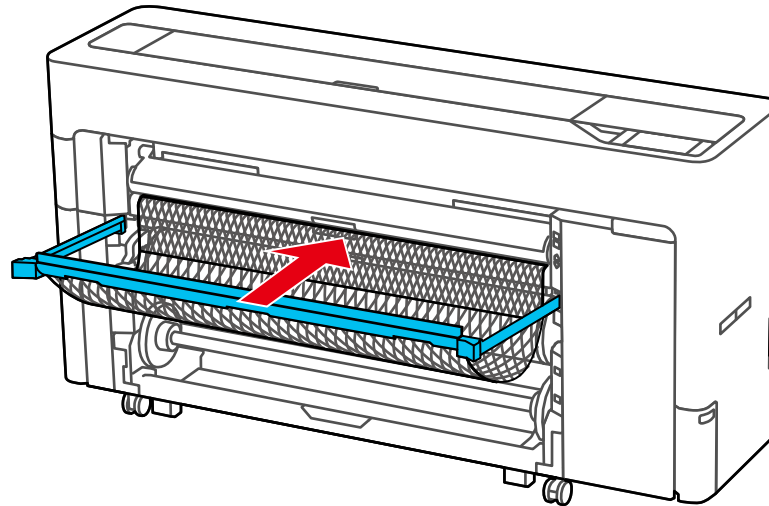
When you finish printing on roll paper, remove it from the printer to avoid indenting or creasing the paper.


Note: Roll 2 is not available for SureColor P6570E/T3770E.

Caution: Do not pull out the Roll 2 unit while the paper is loaded. Otherwise, the paper may wrinkle when you slide the Roll 2 unit back in. When reinstalling the Roll 2 unit, slowly slide it in while taking-up the paper by hand.

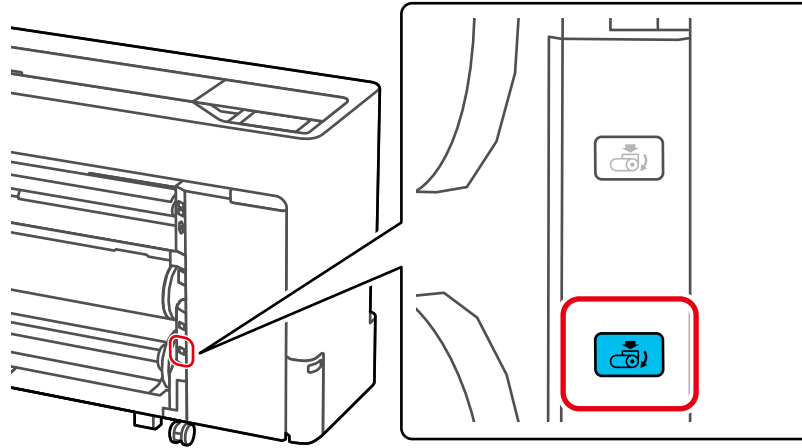


1. Store the paper basket, if necessary.




2. On the LCD screen, select  > **Paper Setting** > **Roll 2** > **Remove**.

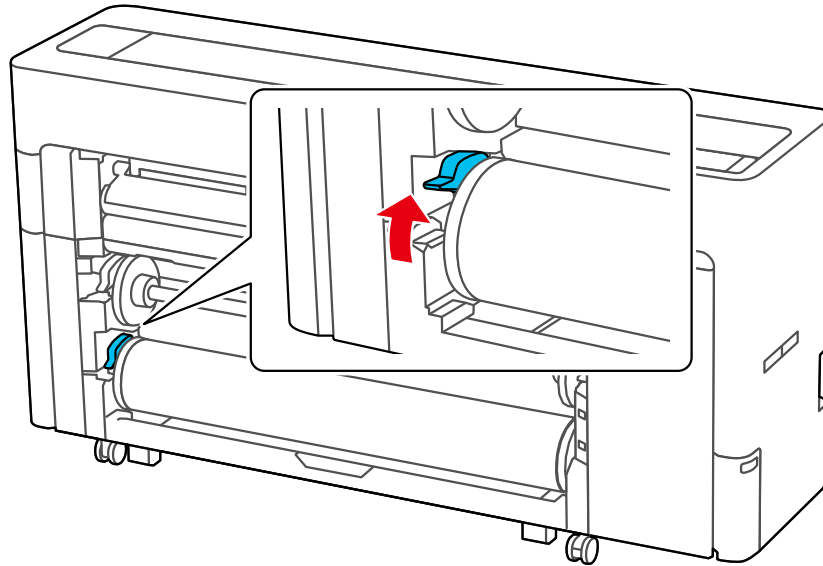
Note: You can also eject the roll paper by pressing the Roll 2 release button.



The printer rewinds the roll paper.

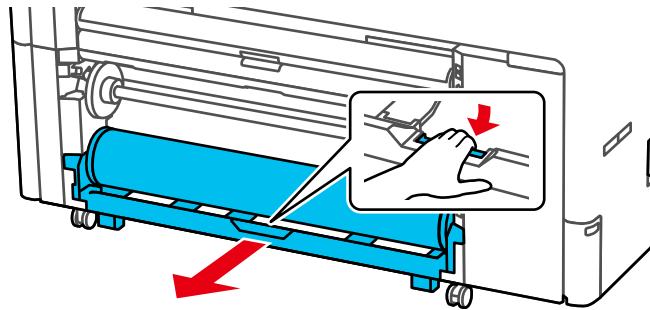
Note: If printed paper is not cut and remains loaded in the printer, select  > **Paper Setting** > **Roll 2** > **Feed/Cut Paper** and adjust the cutting position to cut the roll paper.

3. Pull up the lock lever on the roll paper holder to release it.

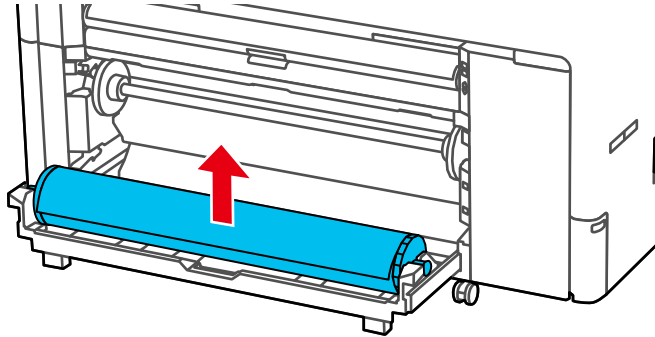


Note: Make sure you pull the lock lever all the way up to unlock it completely.

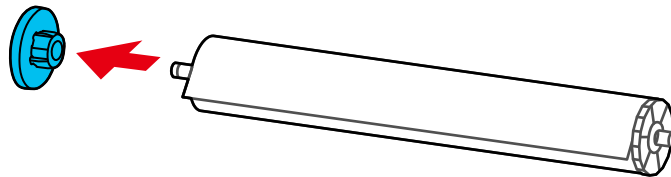
4. Pull out the Roll 2 unit.



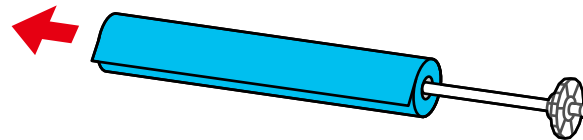
5. Lift the roll paper up to remove it.



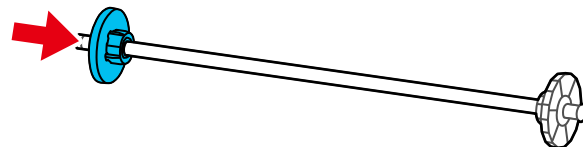
6. Remove the transparent paper stop from the spindle.



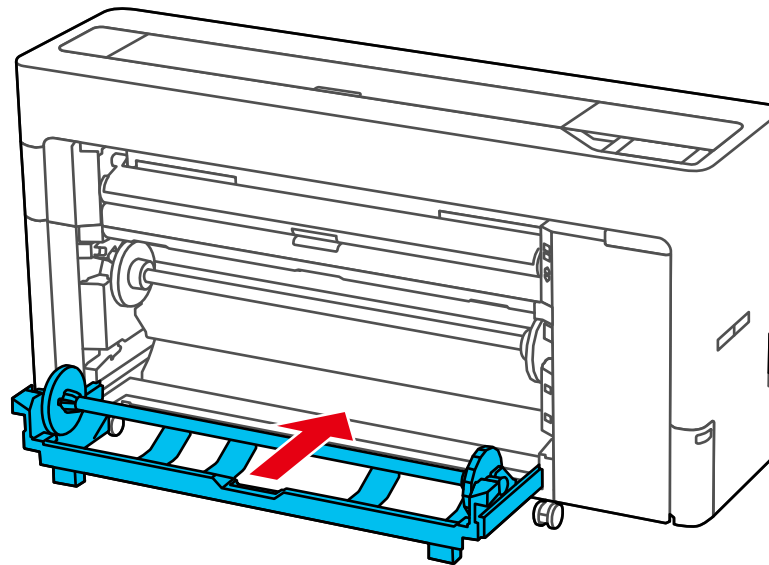
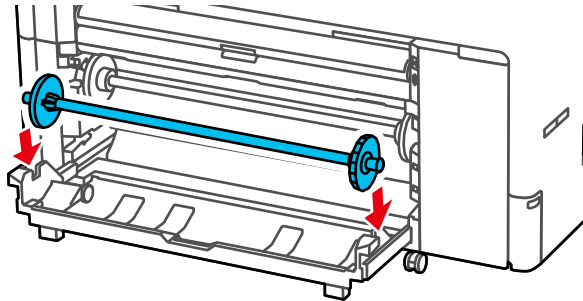
7. Remove the spindle from the roll paper.



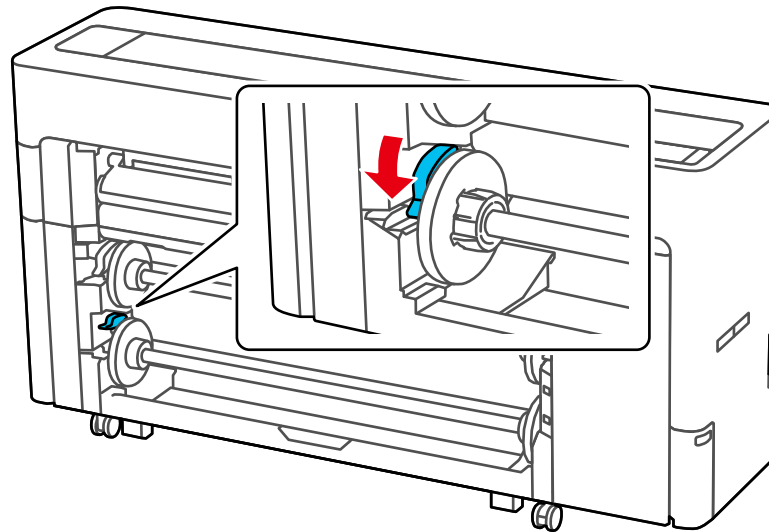
8. Reattach the transparent paper stop to the spindle.



9. Place the spindle into the grooves on the Roll 2 unit with the black end of the spindle on the right, then push the Roll 2 unit in.



10. Push down the lock lever on the roll paper holder to lock it in place.



11. Rewind the paper carefully and place it in its original package.

Note: Store roll paper on its end or horizontally (if the packaging end-caps are installed). Never store roll paper on its edge, as a flat spot can develop and lead to imaging artifacts on the prints. Do not store roll paper in dusty areas. Print head maintenance and cleanings increase if dust accumulates on the paper.

Parent topic: [Roll Paper Handling](#)

Cut Sheet Handling

You can load a variety of types and sizes of cut sheet paper in your product.

[Loading Cut Sheets](#)

[Loading Poster Board](#)

Parent topic: [Media Handling](#)

Loading Cut Sheets

You can feed cut sheets from the front or the back of the printer. In both cases, the paper is ejected from the front after printing.

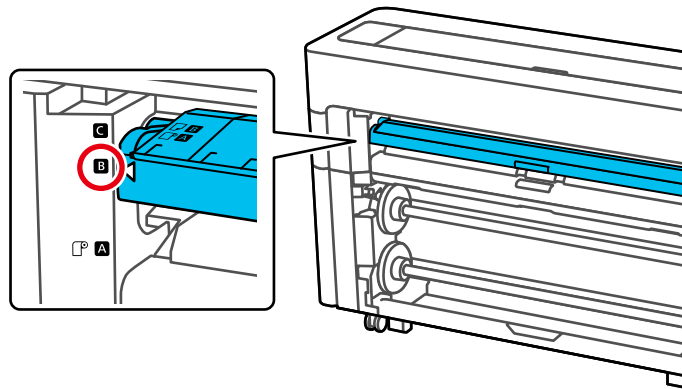
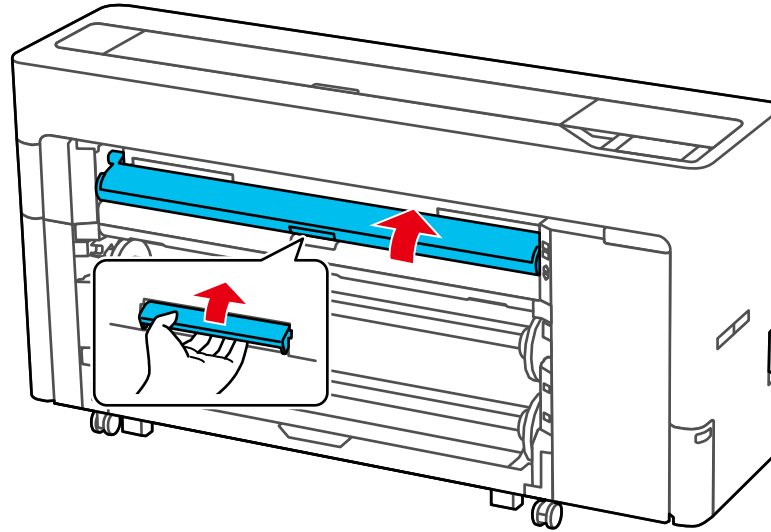
Set the paper feed location from the LCD screen before printing. Select  > **General Settings** > **Printer Settings** > **Paper Source Settings** > **Cut Sheet/Poster Board Slot**, and select **Front** or **Back**.

You can load most photo and fine art sheet papers up to .03 inches (0.8 mm) thick.

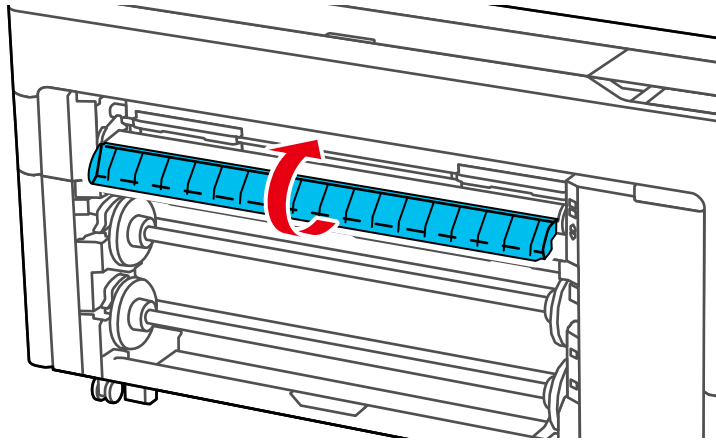
Note: Remove any loaded paper, including roll paper, before you load cut sheet paper or poster board. Make sure there is enough space at the back of the printer.

1. Select the paper information area on the LCD screen.
2. Select **Cut Sheet** > **OK**.

3. Lift up the paper support lock lever to release the paper support, then set the paper support to position **B** (the middle position) as shown.

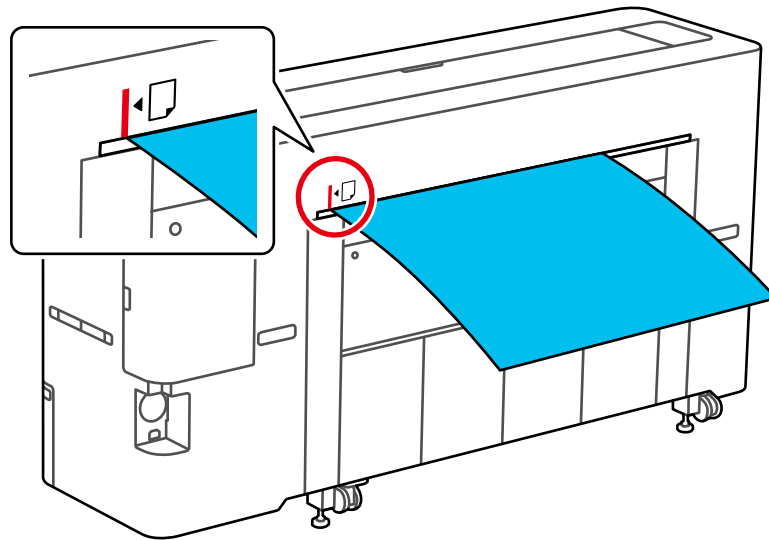
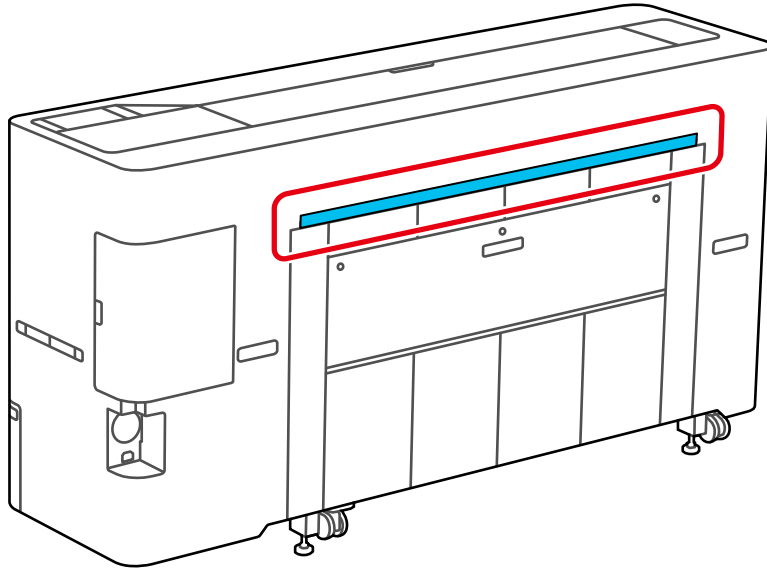


Note: Close the paper output flap if it is open.

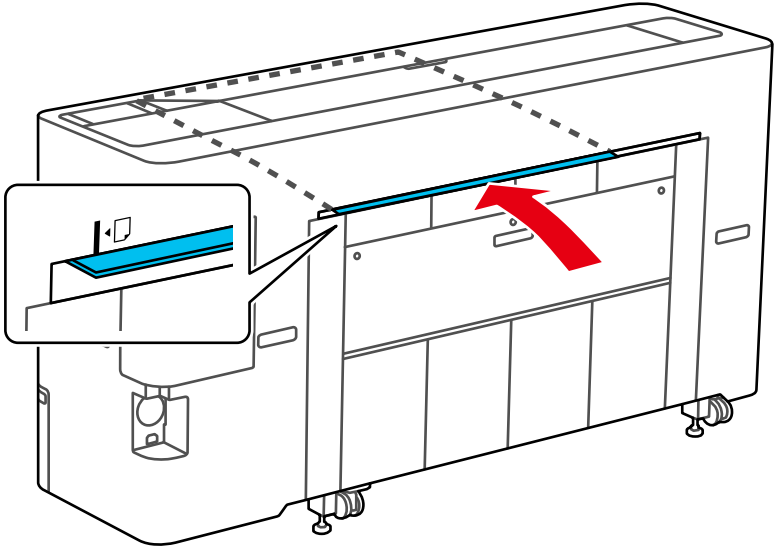
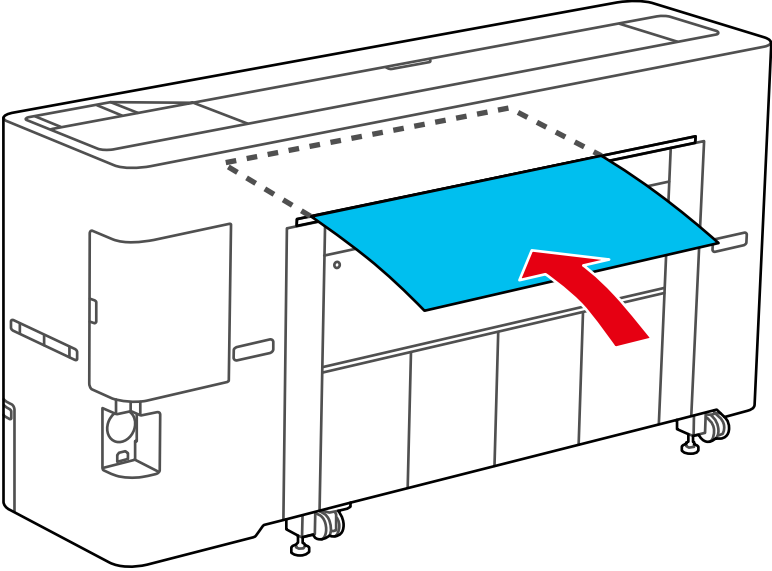


4. Do one of the following:

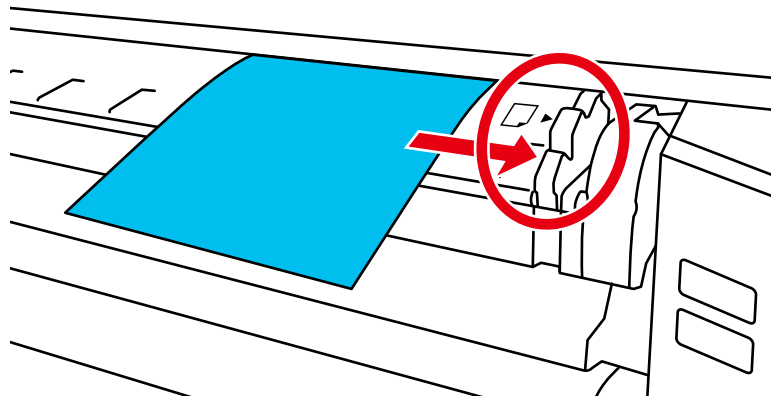
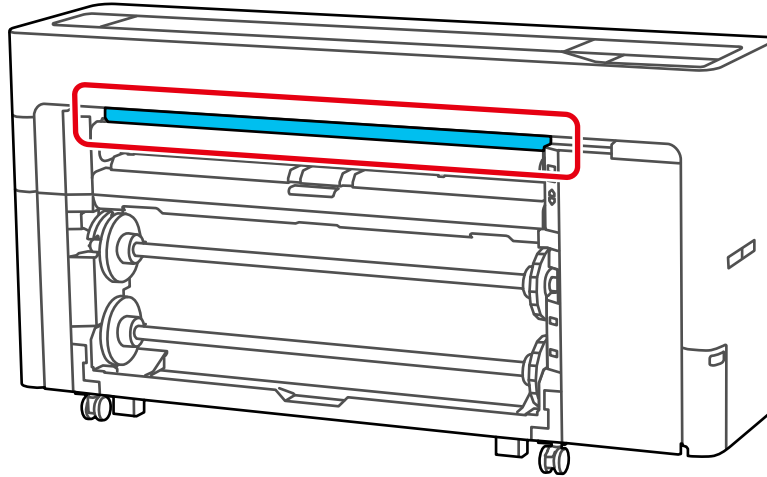
- **Feeding from the back of the printer:** Align the left edge of the paper with the vertical line on the left side of the rear paper feed slot. Make sure the printable side of the paper is facing up.



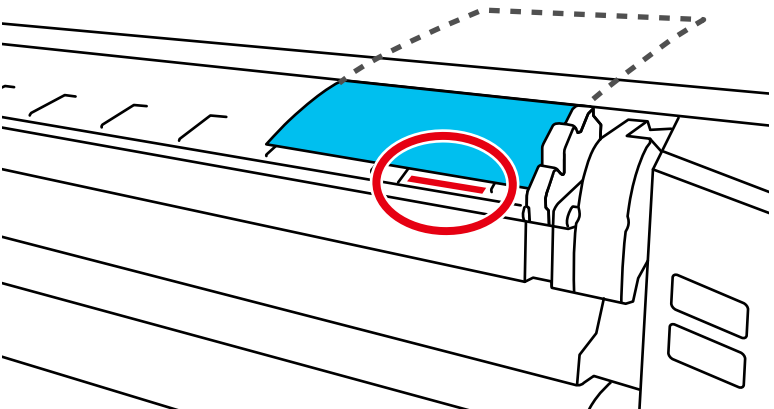
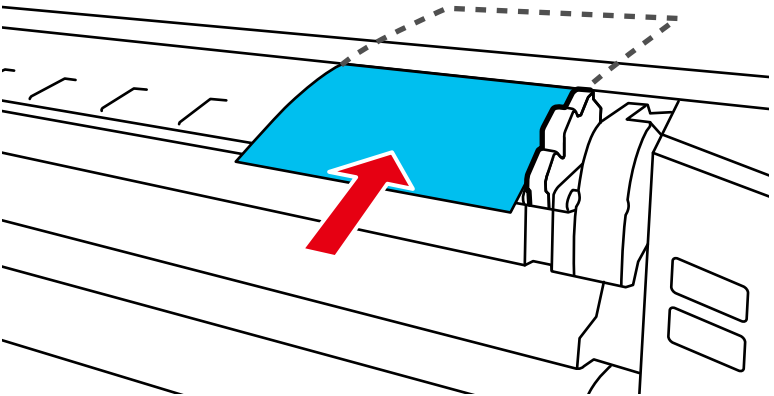
Feed the paper straight into the printer as shown.



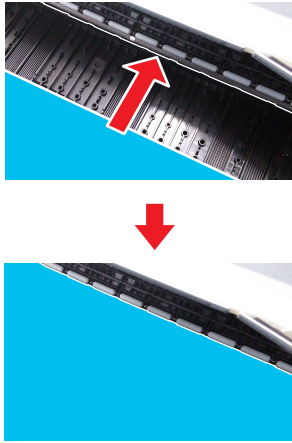
- **Feeding from the front of the printer:** Align the right edge of the paper with the right side of the front paper feed slot. Make sure the printable side is facing up.



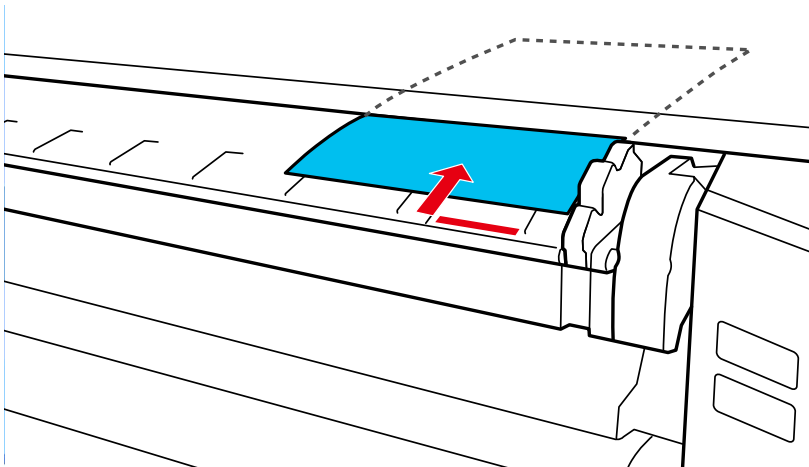
When using cut sheets with a paper length of 11.69 inches (297 mm) or longer: Insert the paper straight into the printer until the trailing edge is above the loading mark on the roll paper cover (the top edge of the ruler).



Note: Make sure the paper passes under the internal rollers as shown.



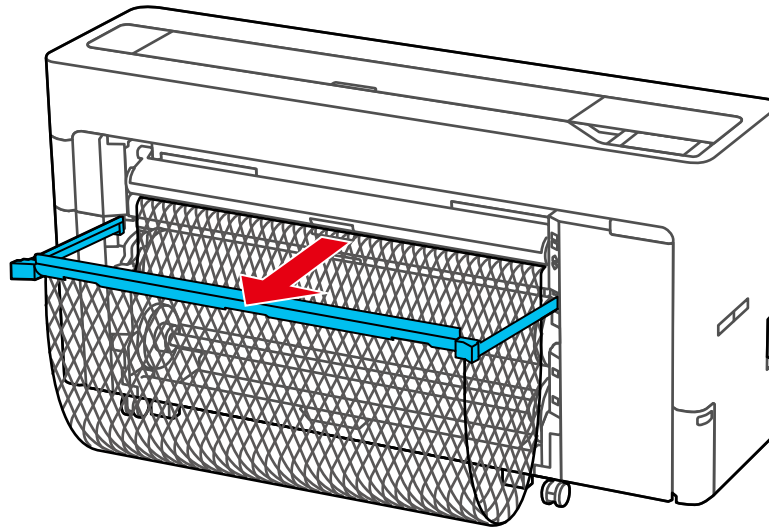
When using cut sheets with a paper length shorter than 11.69 inches (297 mm): Insert the paper past the alignment mark, making sure that it passes under the internal rollers.



5. On the LCD screen, select the paper size that matches the loaded paper. If the loaded paper does not match the paper size displayed on the screen, select **Paper Size** to set the correct size.

Note: Store cut sheet media flat in its original packaging. Storing sheet media unprotected or on its long or short edge can lead to excess paper curl and cause damage to the printer and ruined prints.

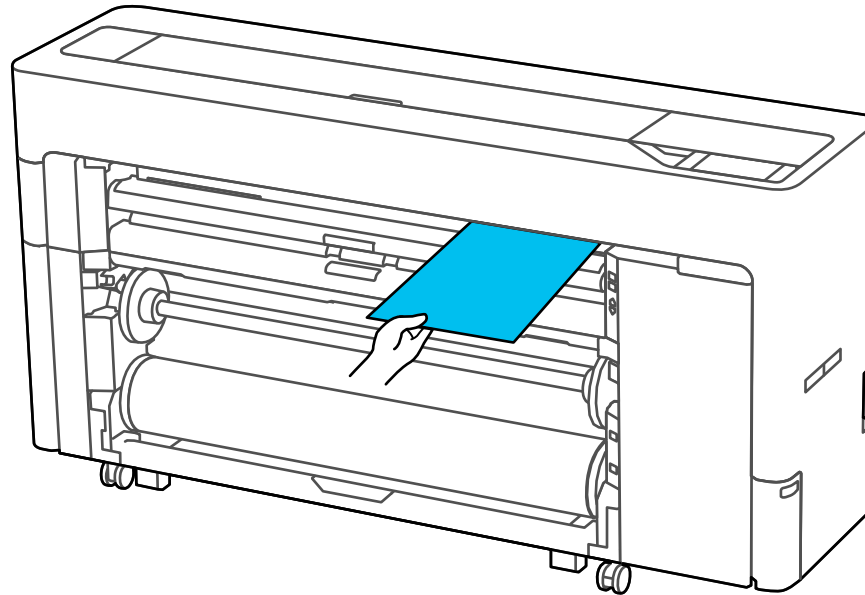
6. Select **Advanced Paper Settings** and set any additional settings, if necessary.
7. Select **OK** on the LCD screen.
8. A message appears on the LCD screen when your printer is ready to print.
9. Pull out the paper basket, if necessary.



Note: If you are printing on media larger than can fit in the paper basket, do not pull out the paper basket.

10. To remove a cut sheet from the printer, select  > **Paper Setting** > **Cut Sheet** > **Remove**.

11. Support the ejected paper so that the paper does not touch the floor, then select **OK**.



Parent topic: [Cut Sheet Handling](#)

Related references

[Paper Specifications](#)

[Paper Setting Menu](#)

[Available Epson Papers](#)

Related tasks

[Removing Roll 1/ Roll Paper](#)

[Removing Roll 2 \(Dual Roll Models Only\)](#)

[Creating Custom Paper Settings Using Epson Media Installer](#)

Loading Poster Board

You can feed poster board from the front or the back of the printer. In both cases, the poster board is ejected from the front after printing.

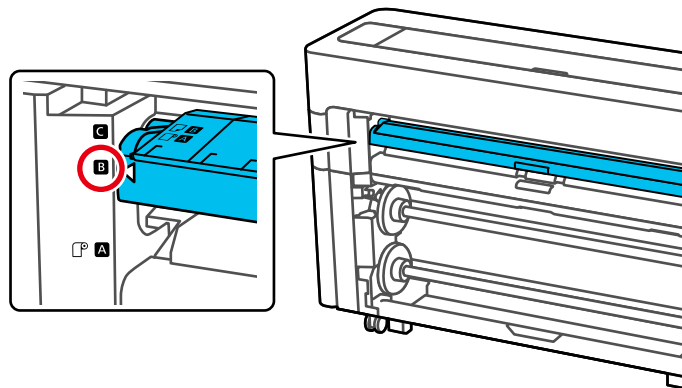
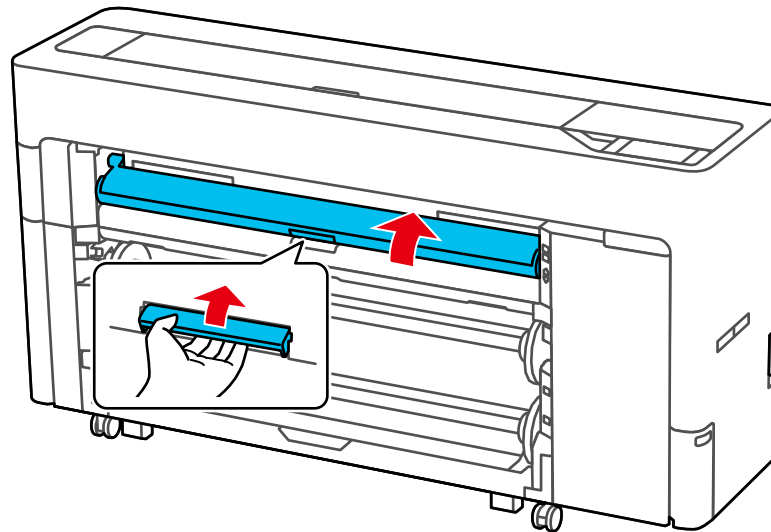
Set the paper feed location from the LCD screen before printing. Select  > **General Settings** > **Printer Settings** > **Paper Source Settings** > **Cut Sheet/Poster Board Slot**, and select **Front** or **Back**.

Load poster board in portrait orientation (short edge first), otherwise print quality may decline. You can load poster board up to .06 inches (1.5 mm) thick.

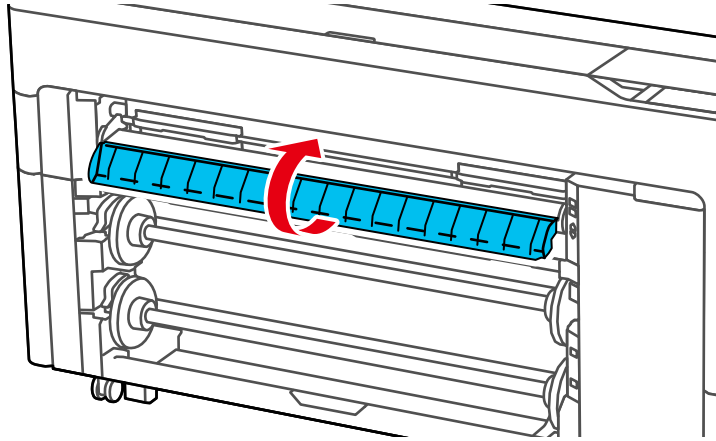
Note: Remove any loaded paper, including roll paper, before you load cut sheet paper or poster board. Make sure there is enough space at the back of the printer.

1. Select the paper information area on the LCD screen.
2. Select **Poster Board** > **OK**.

3. Lift up the paper support lock lever to release the paper support, then set the paper support to position **B** (the middle position) as shown.

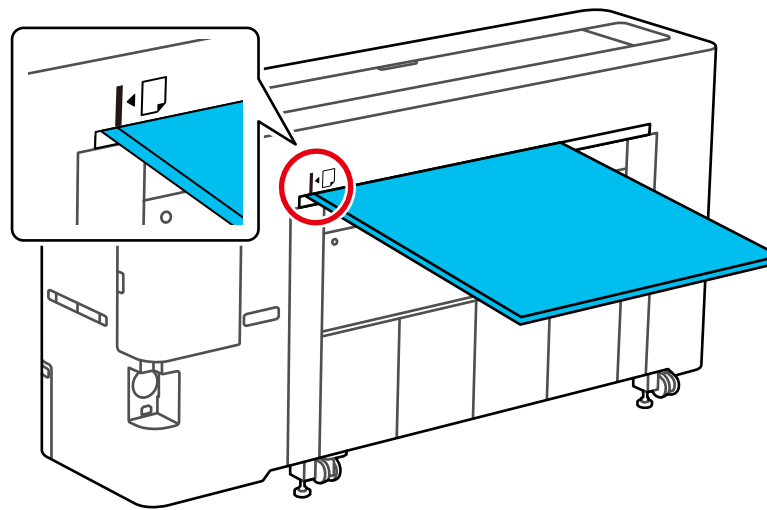
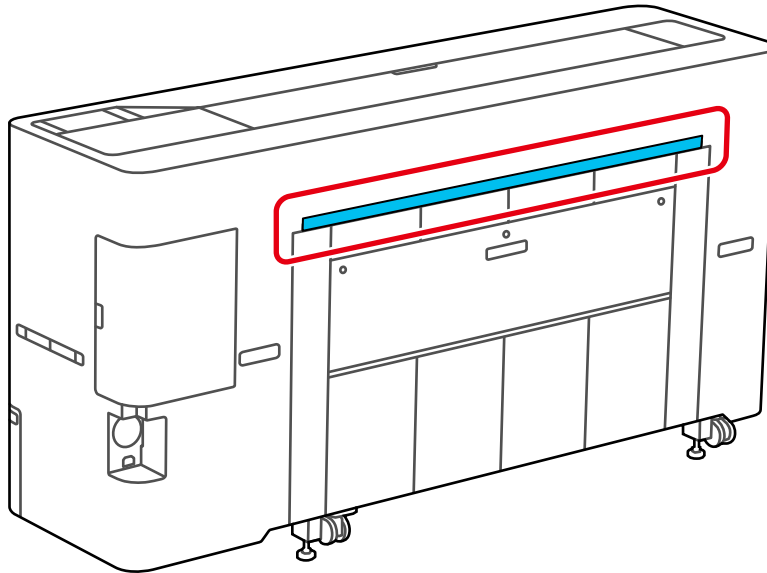


Note: Close the paper output flap if it is open.

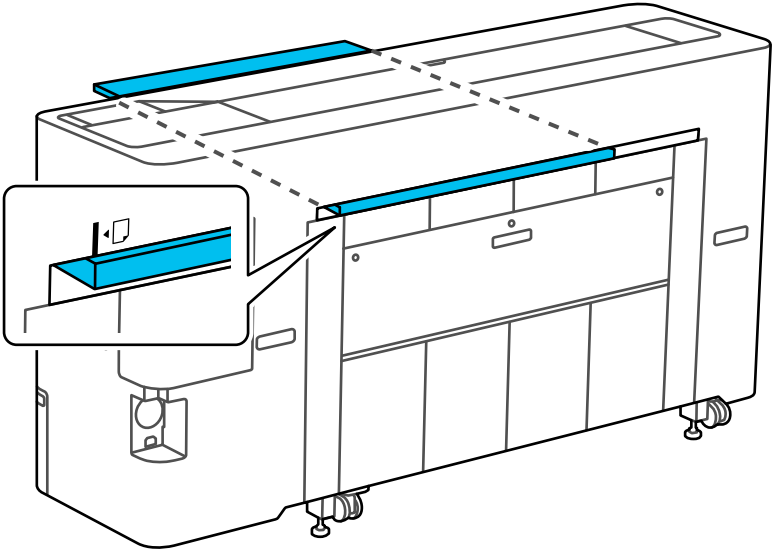
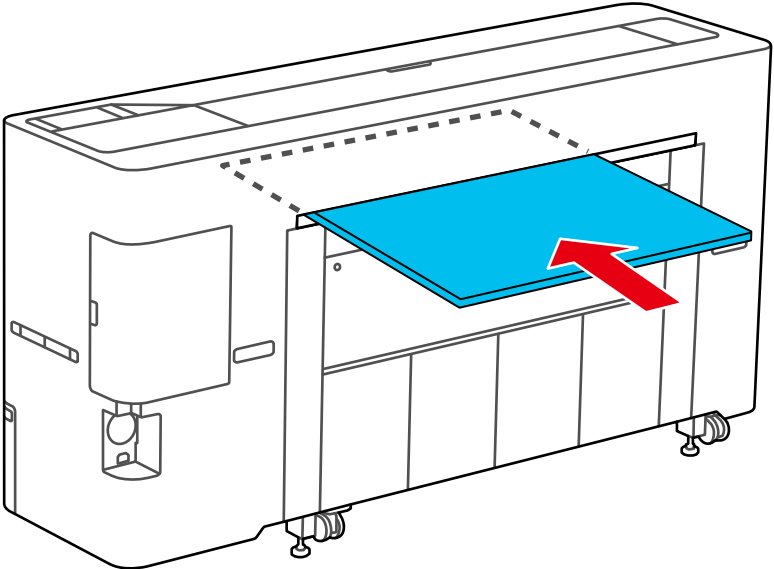


4. Do one of the following:

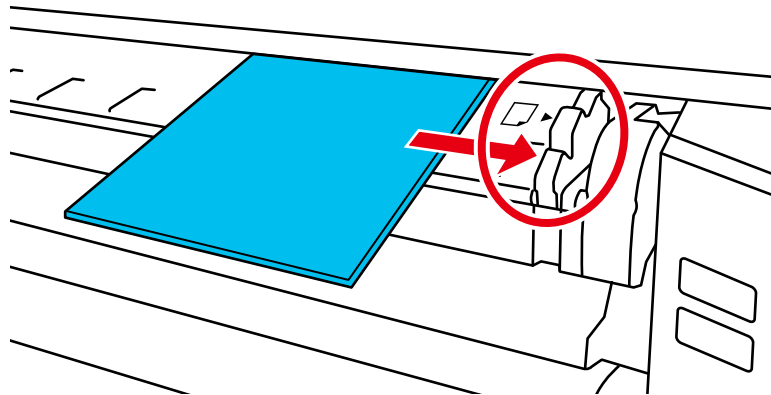
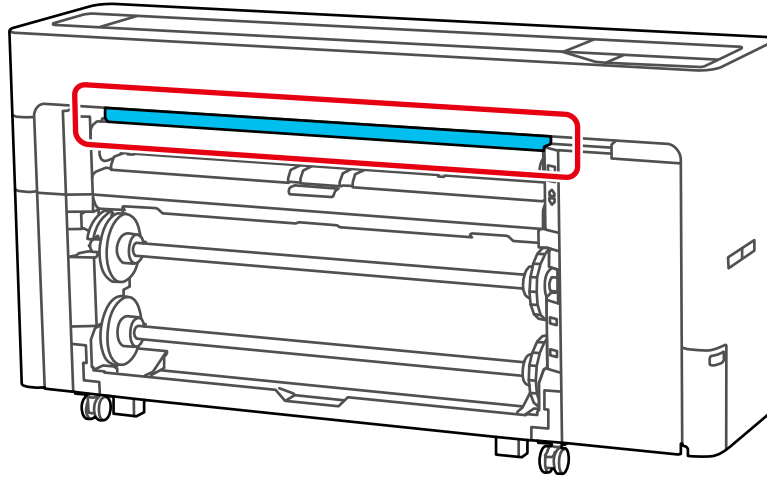
- **Feeding from the back of the printer:** Align the left edge of the poster board with the vertical line on the left side of the rear paper feed slot. Make sure the printable side is facing up.



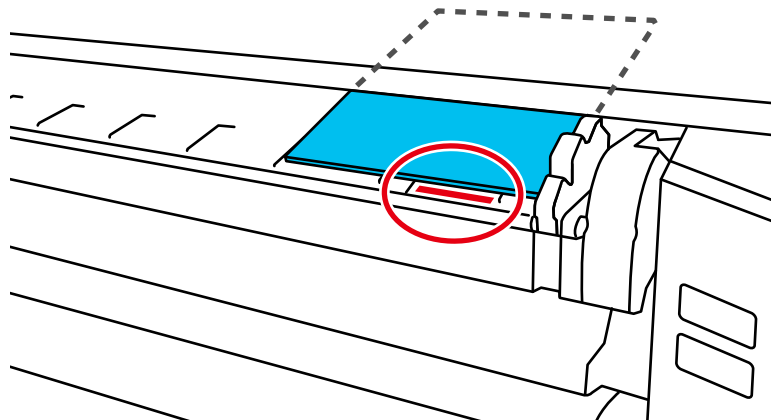
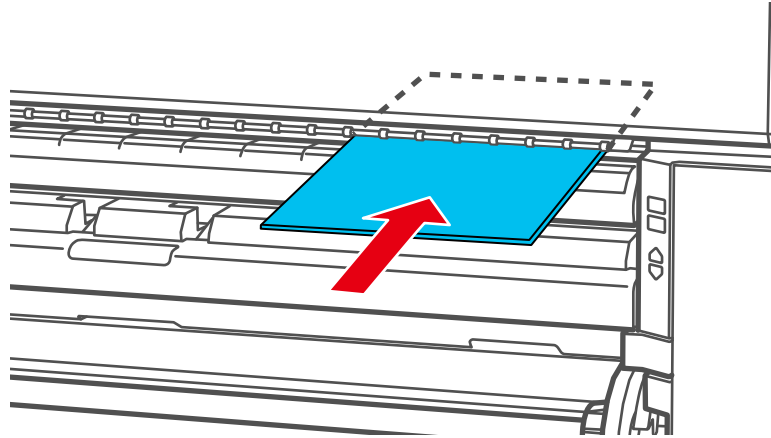
Feed the poster board straight into the printer as shown.



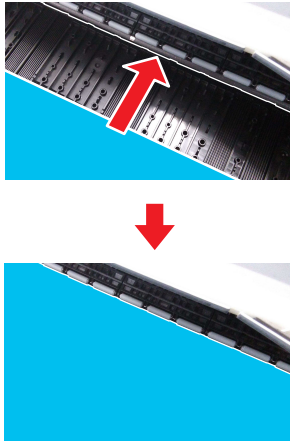
- **Feeding from the front of the printer:** Align the right edge of the poster board with the right side of the front paper feed slot. Make sure the printable side is facing up.



Insert the poster board straight into the printer until the trailing edge is above the loading mark on the roll paper cover (the top edge of the ruler).



Note: Make sure the poster board passes under the internal rollers as shown.

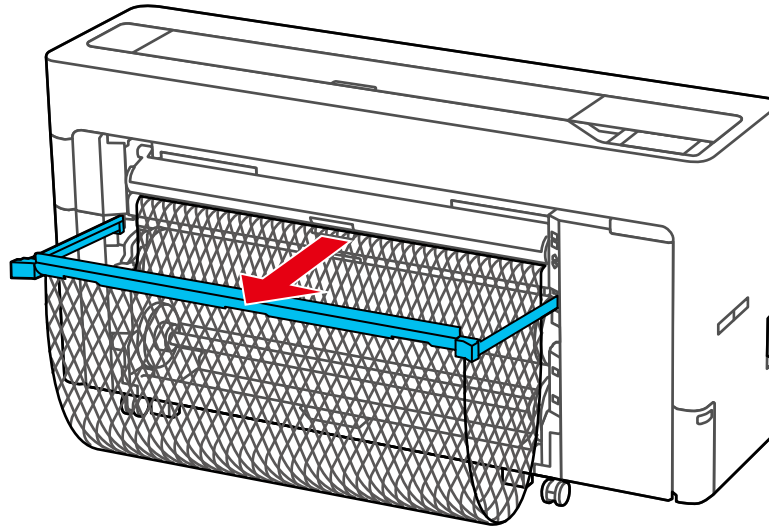


5. On the LCD screen, select the paper size that matches the loaded paper. If the loaded paper does not match the paper size displayed on the screen, select **Paper Size** to set the correct size.

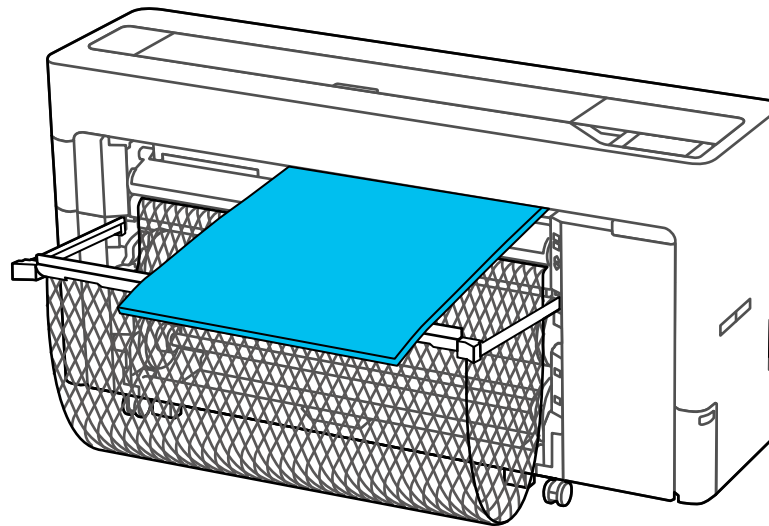
Note: Store cut sheet media flat in its original packaging. Storing sheet media unprotected or on its long or short edge can lead to excess paper curl and cause damage to the printer and ruined prints.


6. Select **Advanced Paper Settings** and set any additional settings, if necessary.
7. Select **OK** on the LCD screen.
8. A message appears on the LCD screen when your printer is ready to print.

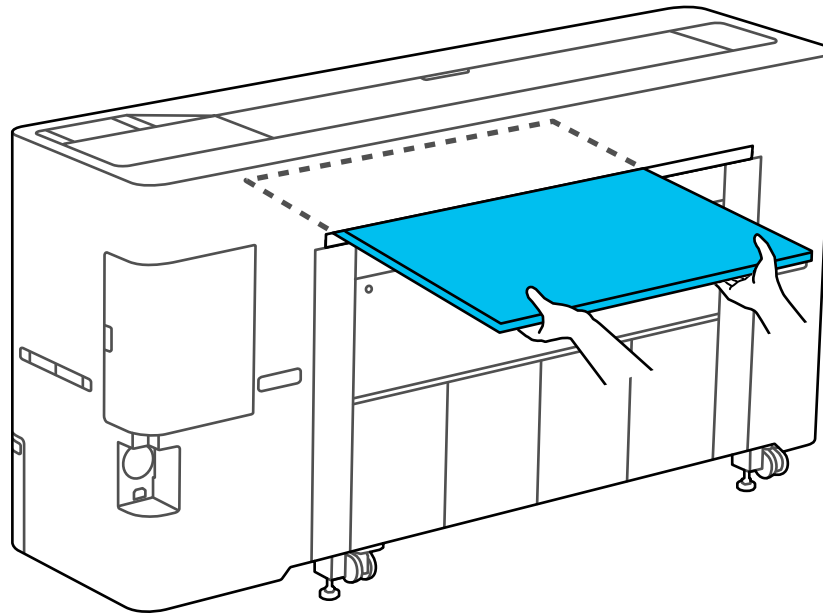
9. When loading poster board that is 23.6 inches (600 mm) or longer, pull out the paper basket.



The basket can be used as a support to prevent the poster board from bending during printing.



10. To remove a poster board from the printer, select  > **Paper Setting** > **Poster Board** > **Remove**.
11. Support the ejected poster board with both hands so that it does not touch the floor, then select **OK**.



Parent topic: [Cut Sheet Handling](#)

Related references

[Paper Specifications](#)

[Available Epson Papers](#)

Related tasks


[Removing Roll 1/ Roll Paper](#)

[Removing Roll 2 \(Dual Roll Models Only\)](#)

[Creating Custom Paper Settings Using Epson Media Installer](#)

Creating Custom Paper Settings

You can create and store up to 30 custom paper settings for use in printing on non-Epson paper or paper that is not supported by the Epson printer driver.

1. Load the type of paper that you want to configure in the printer.
2. Select  > **General Settings** > **Printer Settings** > **Custom Paper Setting**.
3. Select a number for the custom paper setting.

Note: You cannot change paper setting information registered using the printer driver or other software using the LCD screen.

4. Select **Change Reference Paper**.
5. Select a paper preset that is similar to the paper that you loaded following these guidelines:
 - Photo paper: **Baryta**
 - Fine art paper: **Fine Art Matte**
 - Canvas: **Canvas Satin** or **Canvas Matte**
 - Plain paper: **Plain Paper**
 - Glossy paper: **Photo Paper**
 - Thick, non-glossy paper: **Matte Paper**
 - Thin, soft, non-glossy paper: **Plain Paper**
 - Canvas-like paper: **Canvas**
 - Cotton paper with a rough surface: **Fine Art Paper**
 - Special media such as film, cloth, poster board, or tracing paper: **Others**
6. Select **Advanced Paper Settings** and enter a value for the following settings:
 - **Paper Thickness** (check the manual supplied with the paper)
 - **Roll Core Diameter** (roll paper only)
 - **Paper Feed Offset** (leave at 0 unless you see horizontal banding)

Note: The Paper Feed Offset setting allows you to adjust the difference between the data size and the print size. For example, if you are printing at a data size of 3.9 inches (100 mm) and a print size of 4 inches (101 mm), the offset is 1.0%. Therefore, you would enter a value of -1.0%. If you change even one item set in the Paper menu, you need to perform Paper Feed Offset again.

7. Select any additional settings in the **Advanced Paper Settings** menu, as necessary.

After you create a new custom paper setting, it will appear in the list of available paper types. You should perform a manual feed adjustment before printing on the custom media.

Note: You can also use Epson Media Installer to import non-Epson media types into the LCD screen.

[Selecting Custom Paper Configurations](#)

[Creating Custom Paper Settings Using Epson Media Installer](#)

[Downloading Epson Media Settings](#)

Parent topic: [Media Handling](#)



Related tasks

[Optimizing the Media Settings \(Automatic Adjustment\)](#)

[Adjusting the Paper Feed](#)

Selecting Custom Paper Configurations

Once you have created a custom paper configuration, you can select the configuration whenever you print on the associated media.

1. Select the  home icon, if necessary.
2. Select  > **Paper Setting**.
3. Select the paper type you are printing on.
4. Select **Change Paper Type** or **Change Paper Type/Paper Size**.
5. Select **Paper Type** > **Others** > **Custom Paper**.
6. Select the custom paper configuration you want to use.
7. Press the left arrow button to exit the menu.

Parent topic: [Creating Custom Paper Settings](#)

Creating Custom Paper Settings Using Epson Media Installer

You can use Epson Media Installer to create and store custom paper settings for use in printing on non-Epson paper or paper that is not supported by the Epson printer driver. You create custom paper settings by copying an existing paper setting, renaming it, and assigning an ICC profile.

Note: You will need an ICC profile to assign to the paper setting. You cannot change custom paper settings created through Epson Media Installer using the printer control panel.

Note: On Mac, Epson Media Installer requires OS X 10.9.x or later to be installed.

1. Open the Epson Media Installer software.

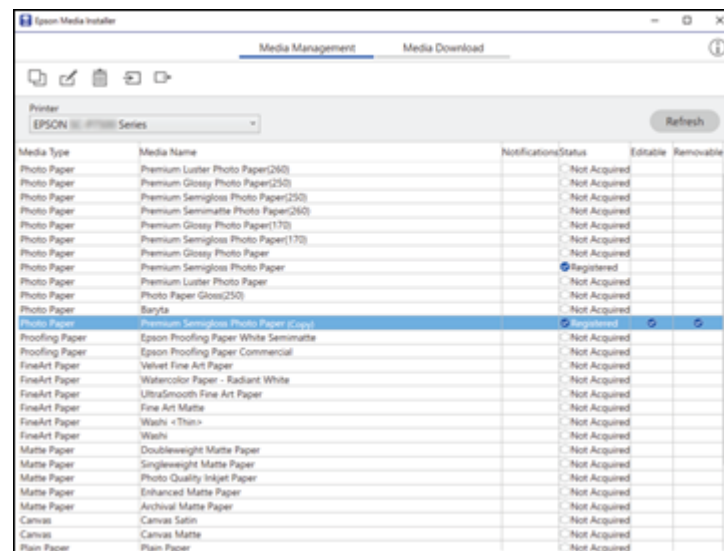
- **Windows:** Open the printer driver by right-clicking the icon for your product in the right side of the Windows taskbar, or click the up arrow and right-click the printer icon, then selecting **Printer Settings**.


Select the **Utility** tab and click **Epson Media Installer**.

- **Mac:** Open the **Applications > Epson Software > Epson Utilities** folder and double-click **Epson Media Installer.app**.

2. Click **Media Management**, if necessary.


You see a screen like this:

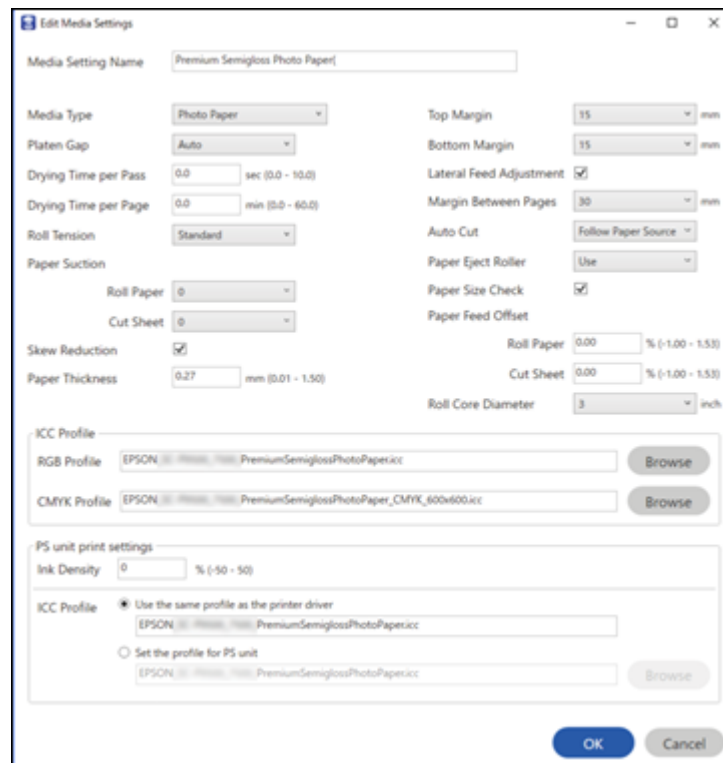


3. Select the paper type you want to use as a base for the new paper setting and click  (copy media).

Note: You can only copy paper types with a **Registered** status.

A copy of the paper setting is created.

4. Select the new paper setting and click  (edit).
The Edit Media Settings screen is displayed.



The screenshot shows the 'Edit Media Settings' dialog box with the following fields and values:

- Media Setting Name: Premium Semigloss Photo Paper
- Media Type: Photo Paper
- Platen Gap: Auto
- Drying Time per Pass: 0.0 sec (0.0 - 10.0)
- Drying Time per Page: 0.0 min (0.0 - 60.0)
- Roll Tension: Standard
- Paper Suction: Roll Paper (0), Cut Sheet (0)
- Skew Reduction:
- Paper Thickness: 0.27 mm (0.01 - 1.50)
- Top Margin: 15 mm
- Bottom Margin: 15 mm
- Lateral Feed Adjustment:
- Margin Between Pages: 30 mm
- Auto Cut: Follow Paper Source
- Paper Eject Roller: Use
- Paper Size Check:
- Paper Feed Offset: Roll Paper (0.00%), Cut Sheet (0.00%)
- Roll Core Diameter: 3 inch
- ICC Profile: EPSON PremiumSemiglossPhotoPaper.icc (with 'Browse' button)
- CMYK Profile: EPSON PremiumSemiglossPhotoPaper_CMYK_600x600.icc (with 'Browse' button)
- PS unit print settings: Ink Density (0%)
- ICC Profile: Use the same profile as the printer driver (EPSON PremiumSemiglossPhotoPaper.icc) or Set the profile for PS unit (with 'Browse' button)

Buttons: OK, Cancel

5. Enter a new name and click **Browse** to load an ICC profile file to use for the paper setting.
6. Click **OK** and confirm that you want to add the new paper setting to the driver and printer.

Note: The new paper type will be assigned as the next open custom paper setting on the printer.

The new Media Type setting is available in your printer driver and on the printer control panel.

Note: If the printer driver is uninstalled, paper types previously added using Epson Media Installer may not appear when the driver is reinstalled. To re-register the paper information, open Epson Media Installer, and click **Media Management > Refresh**.

Edit Media Settings Options

Parent topic: [Creating Custom Paper Settings](#)

Edit Media Settings Options

You can select the following options on the Edit Media Settings screen.

Setting	Description
Media Setting Name	Change the media name
Media Type	Set a paper category and paper type; the new media type can be selected in the printer driver and on the LCD screen
Platen Gap	Set the distance between the print head and the paper; choose a wider setting if prints are frequently scratched or smudged
Drying Time	Set the drying time for each print head pass or for each page
Roll Tension	Adjust the roll tension setting if paper gets wrinkled during printing
Paper Suction	Select to adjust the printer's suction setting; choose lower values for thinner papers
Skew Reduction	Select to reduce paper skew
Paper Thickness	Set the thickness of the paper
ICC Profile	Set an ICC profile for the media type Select an RGB Profile when printing using the printer driver or select an RGB Profile or CMYK Profile when printing using a software RIP

Setting	Description
PS unit print settings (not available on SureColor P6570DE/P6570E/T3770DE/T3770E)	Select the print settings to use when printing using the Adobe Embedded Print Engine If you are printing using the PS Folder, set the Ink Density (the ink density set in the PS printer driver is applied otherwise). For the ICC profile , select Use the same profile as the printer driver to use the RGB Profile (make sure to set the RGB Profile in advance) or Set the profile for PS unit to use the CMYK Profile.
Roll Core Diameter	Select the paper core size for the loaded roll paper
Paper Feed Offset	Select the amount of offset necessary to reduce banding on uneven color in printouts
Paper Size Check	Select On to automatically detect the paper width when paper is loaded. Select Off when the paper roll is empty. This allows you to set the paper width before feeding the paper.
Margins	Select the margin for the leading edge of the printed image. Depending on the paper type and printing environment, colors may be uneven near the leading edge if the margin is small.

Parent topic: [Creating Custom Paper Settings Using Epson Media Installer](#)

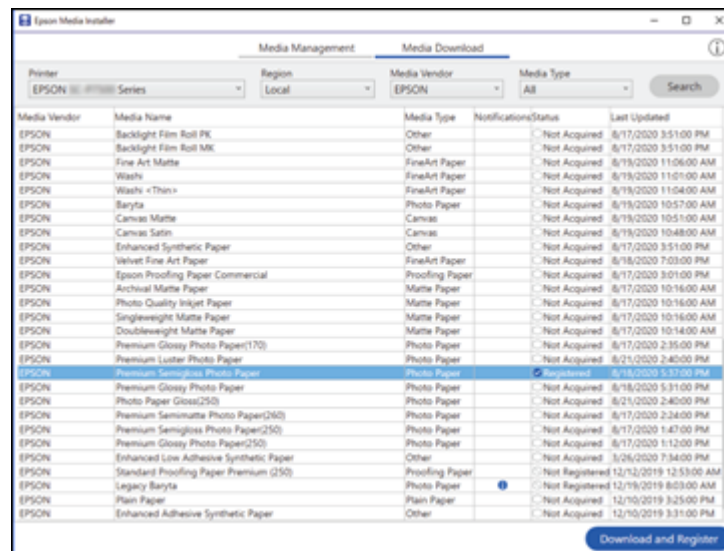
Downloading Epson Media Settings

You can download new or updated media settings for Epson media using the Epson Media Installer utility.

Note: To install media settings on the printer, you must be connected to the printer.

Note: On Mac, Epson Media Installer requires OS X 10.9.x or later to be installed.

- Open the Epson Media Installer software.
 - Windows:** Open the printer driver by right-clicking the icon for your product in the right side of the Windows taskbar, or click the up arrow and right-click the printer icon, then selecting **Printer Settings**.
Select the **Utility** tab and click **Epson Media Installer**.
 - Mac:** Open the **Applications > Epson Software > Epson Utilities** folder and double-click **Epson Media Installer**.
- Click **Media Download**, if necessary.
You see a screen like this:



- Click the name of the media settings you want to download and click **Download and Register**.
The new settings are available in your printer driver and on the printer control panel.

Parent topic: [Creating Custom Paper Settings](#)

Paper Feed Adjustment

If your printouts contain horizontal banding, uneven tint, or stripes, you need to adjust the paper feed. You do this by printing and examining a test pattern, and then selecting the feed adjustments you need.

Adjust the paper feed using the same media type and print conditions you use for printing. For example, if you are using the auto take-up function, you should use it during feed adjustment. You may need to adjust the feed again if you load media of a different width, change the feeding or take-up tension, or adjust the suction.

Before adjusting the feed, make sure you have correctly loaded the media you plan to print on and selected all the options you plan to use for printing. You should also print a nozzle check pattern to check for clogged nozzles and clean the print head, if necessary.

[Optimizing the Media Settings \(Automatic Adjustment\)](#)

[Adjusting the Paper Feed](#)

Parent topic: [Media Handling](#)

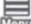
Related concepts

[Print Head Nozzle Check](#)

Optimizing the Media Settings (Automatic Adjustment)

You can perform an automatic feed adjustment from the product control panel. Make sure the length of the loaded media is at least 22 inches (558 mm) and the width is 15 inches (388 mm) or wider.

Note: You may not be able to perform automatic adjustment depending on the media you are using. If an error occurs, or if you notice banding or graininess in the print results even after automatic adjustment, perform **Paper Feed Adjust** and **Ruled Line Alignment** from the Print Adjustments menu.

1. From the home screen, select  **Paper Setting** > paper source > **Print Adjustments** > **Automatic Adjustment**.
2. Select **Standard** > **Auto Adjustment** > **Start**.


An adjustment pattern is printed. View the results and determine if a manual adjustment is necessary.

Parent topic: [Paper Feed Adjustment](#)

Adjusting the Paper Feed

You can adjust the paper feed manually and perform a ruled line alignment from the product control panel if you can still see banding after performing an automatic feed adjustment. Perform **Paper Feed Adjust** and **Ruled Line Alignment** separately. In both cases, visually inspect the printed pattern and enter the measurements to perform adjustments.

Make sure the length of the loaded media is at least 22 inches (558 mm) and the width is 15 inches (388 mm) or wider. When adjusting using commercially available paper, make sure you register the custom paper in advance.

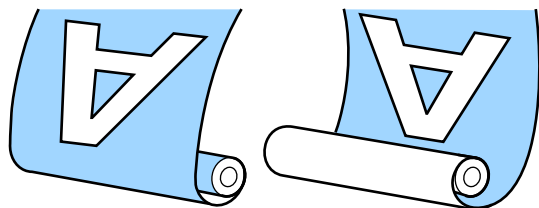
1. Select a paper type that matches the paper in the printer.
2. Select  > **Paper Setting** > paper source > **Print Adjustments** > **Paper Feed Adjust** from the control panel.
3. Select the paper feed adjustment that best suits your needs and intended use.
4. If you select manual adjustment, follow the on-screen instructions to make adjustments.

Parent topic: [Paper Feed Adjustment](#)

About Auto Take-up (Dual Roll Models Only)

The auto take-up function automatically rolls up printed media as you print. You can use Roll 1 as a take-up unit for media with the printable side in (on the right) or printable side out (on the left).

Note: Auto take-up is not available on SureColor P6570E/T3770E.



It is best to do the following when using the auto take-up function:

- Cut the end of the roll in a V-shape to allow for easy take-up onto the core.
- Use a take-up roll core that is the same width as your media so the core does not bend or take up media incorrectly.

[Loading Media for Auto Take-up](#)


[Removing the Auto Take-up Media](#)

Parent topic: [Media Handling](#)

Loading Media for Auto Take-up

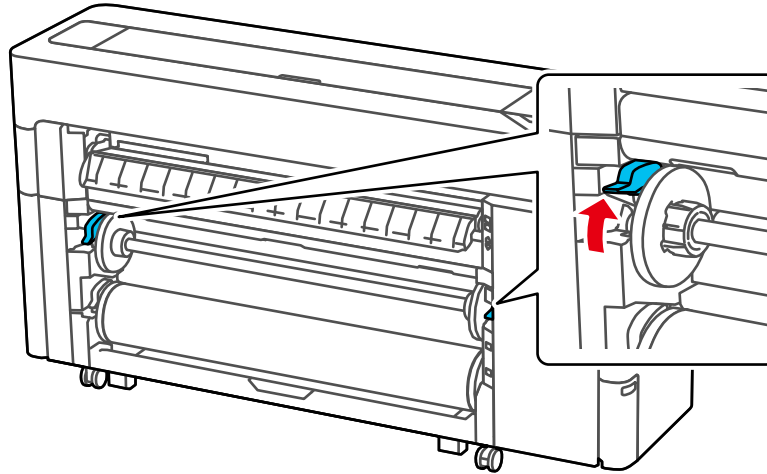
Load paper in the Roll 2 unit and set up Roll 1 for auto take-up.

Note: Make sure **Auto Cut** is set to **Off** when you use the Auto Take-up function.

1. Turn on the printer.
2. Select  > **General Settings** > **Printer Settings** > **Paper Source Settings** > **Roll Paper Setup** > **Roll 1 Function** > **Take-up**.
3. Load roll paper in the Roll 2 unit.
4. Select the paper information area on the LCD screen and select **Paper Setting** > **Roll 2** > **Prepare for Take-up** > **Proceed**.

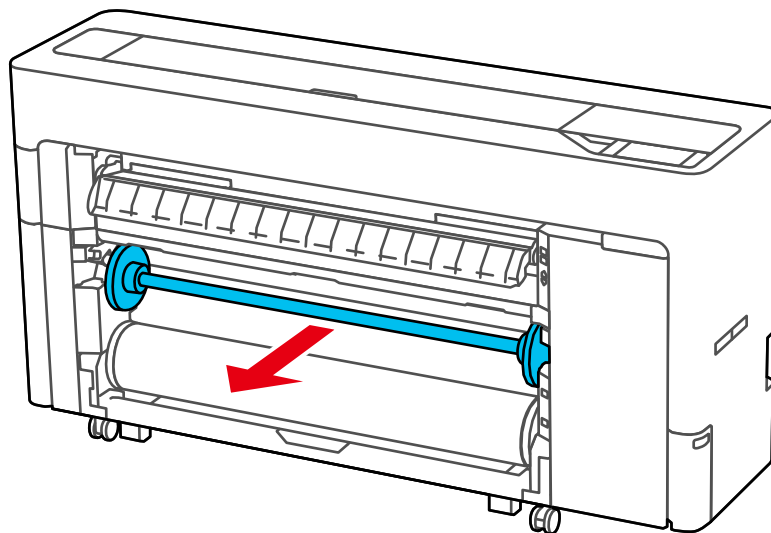
Note: Select **How To...** to view the instructions on the LCD screen.

5. Pull up the lock lever on the Roll 1 spindle.

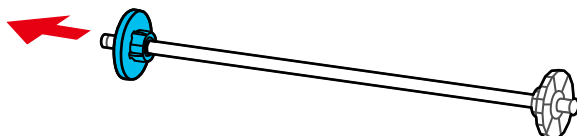


Note: Make sure you pull the lock lever all the way up to unlock it completely.

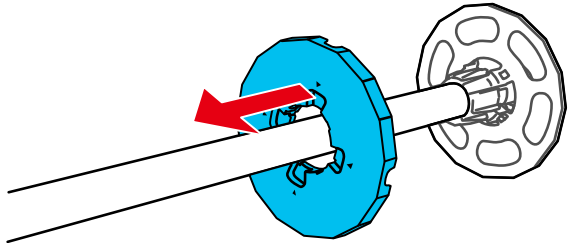
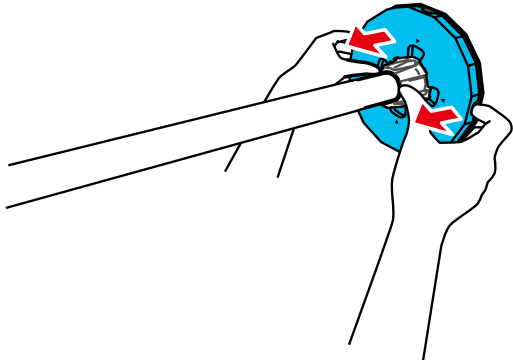
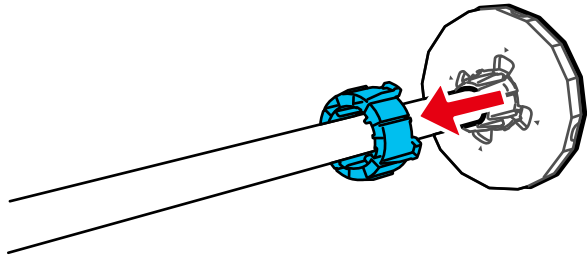
6. Remove the spindle.



7. Remove the transparent paper stop from the spindle.

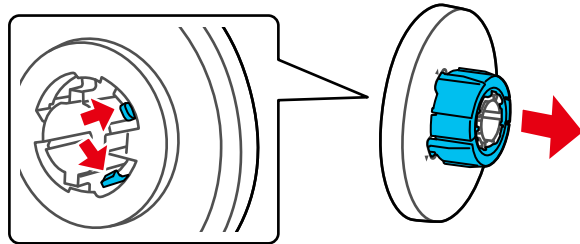


8. Remove the rim of the paper stop from the end of the spindle.

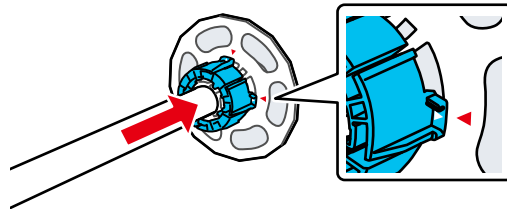
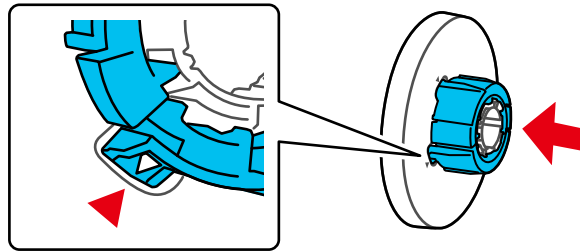


9. Do one of the following:

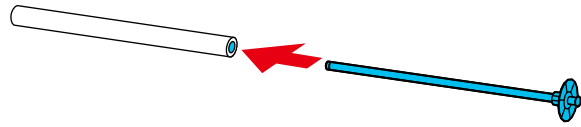
- **2-inch roll core:** If installed, remove the core adapters from both paper stops. Push the two tabs on each paper stop to remove the adapter.



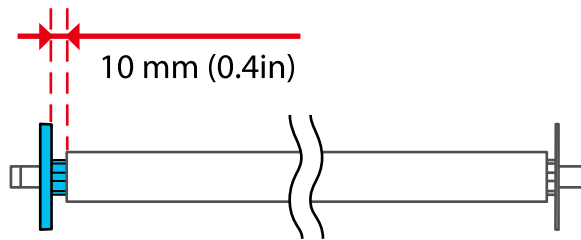
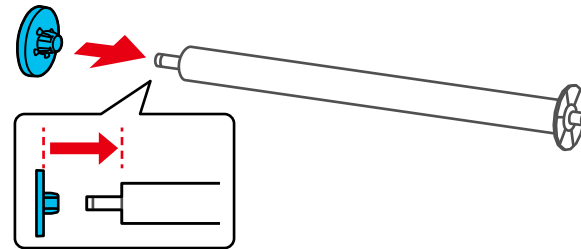
- **3-inch core:** Install the core adapters on both paper stops. Align the triangle marks on the paper stop with the triangle marks on the adapter and push the adapter in until the tabs are secured.



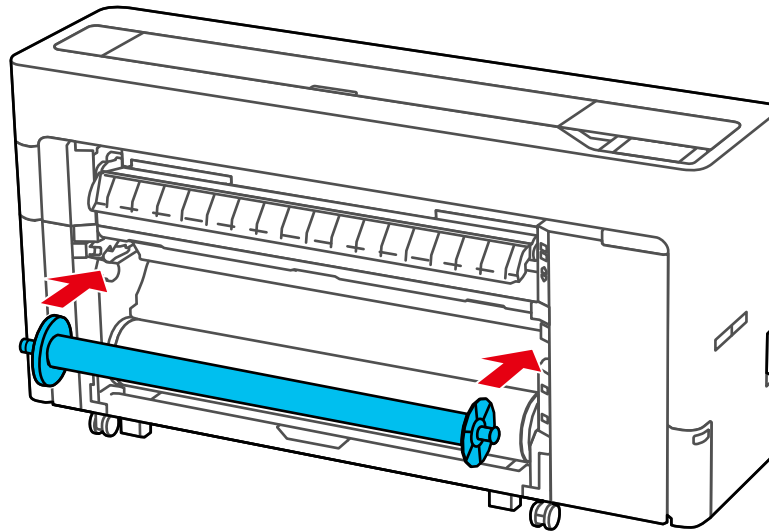
10. Insert the spindle into the roll core as shown.



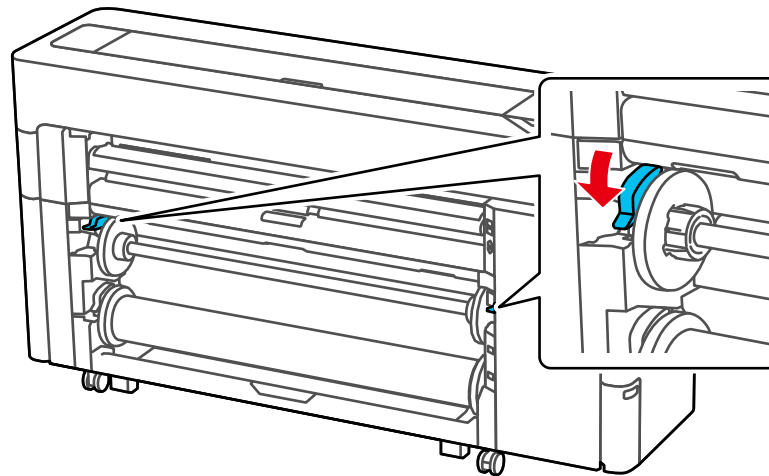
11. Attach the transparent paper stop to the spindle so that the gap between the paper stop and the roll core is approximately 0.4 inches (10 mm).



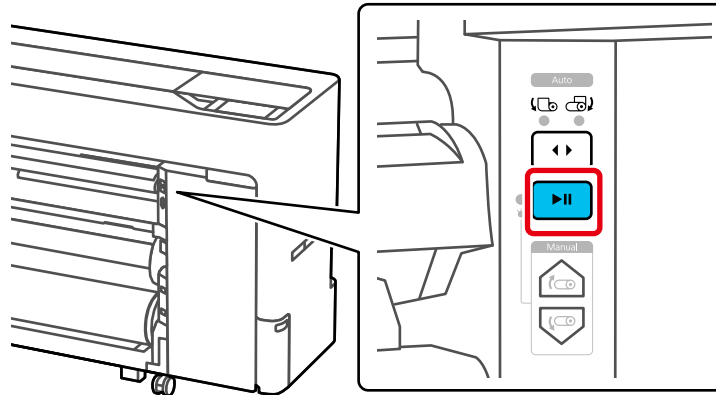
12. Place the spindle into the grooves on the printer with the black paper stop on the right.



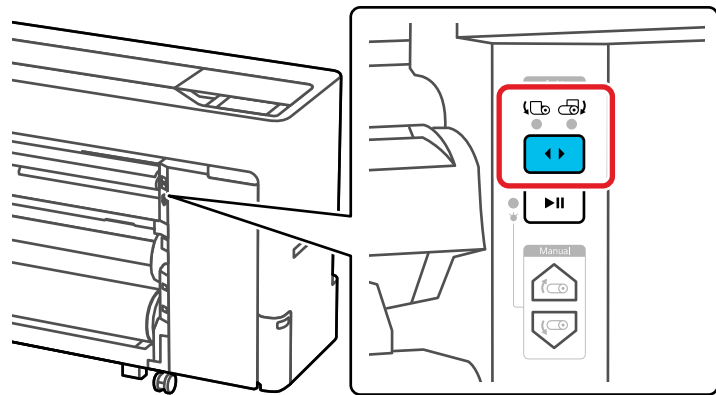
13. Push down the lock lever on the Roll 1 spindle to lock it in place.



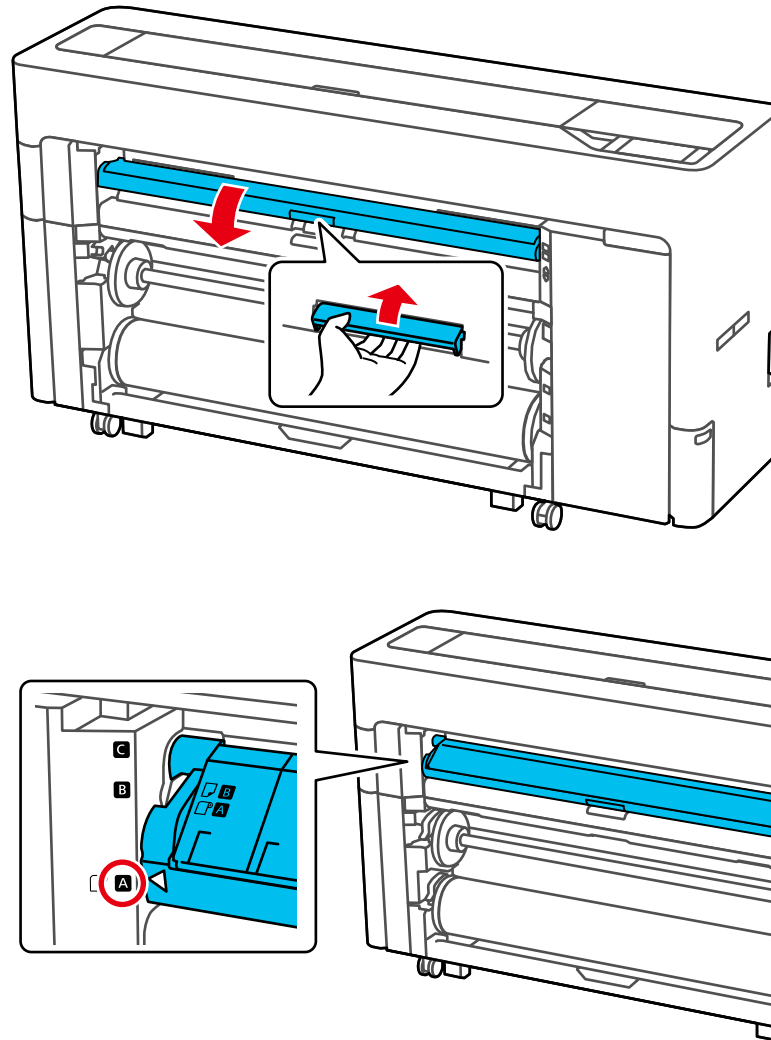
14. Press the pause/resume button.



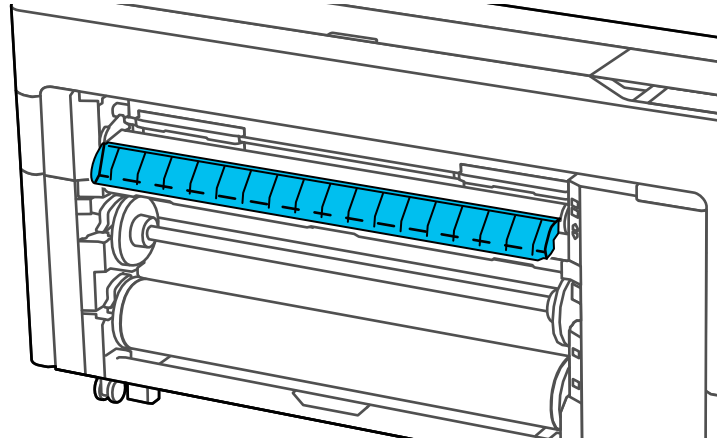
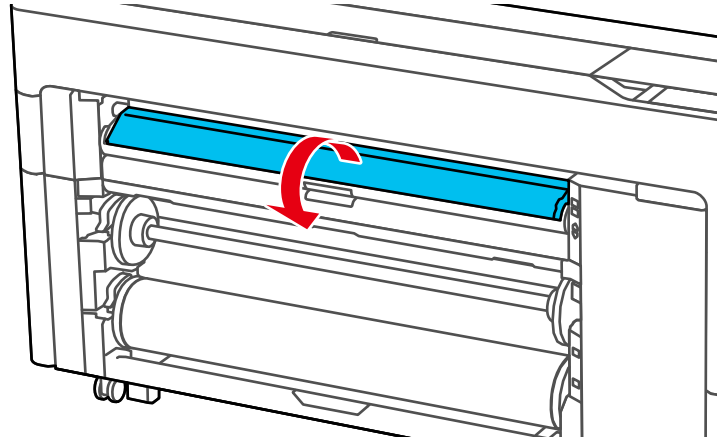
15. Use the take-up direction switch to select either printable side in (right) or printable side out (left), then press the pause/resume button again.



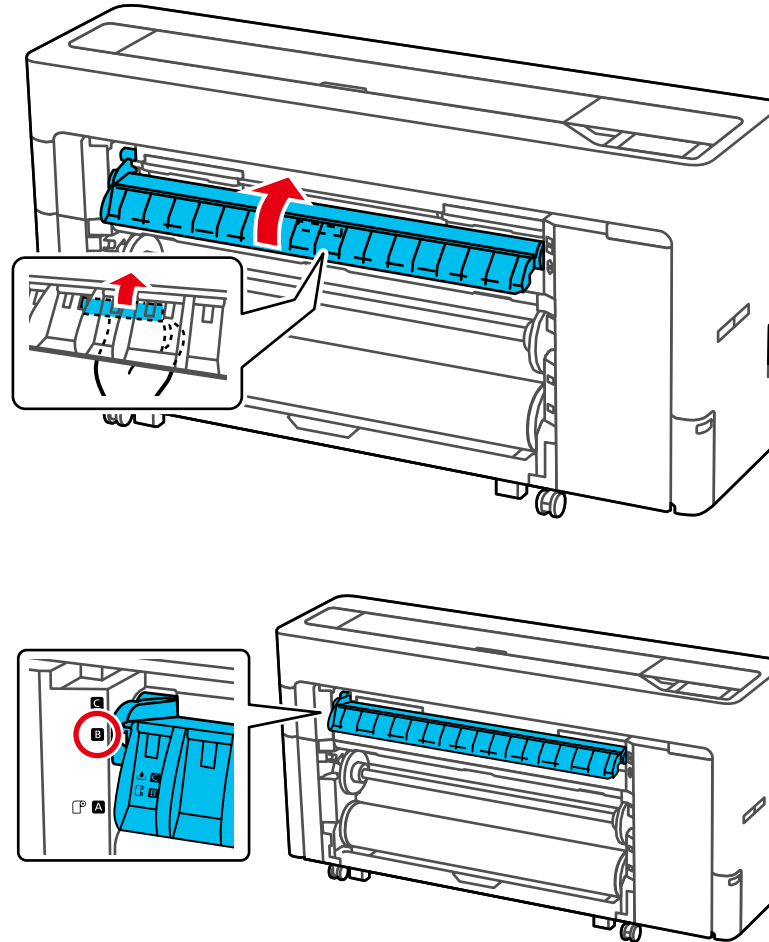
16. Lift up the paper support lock lever to release the paper support, then set the paper support to position **A** (the lowest position) as shown.



17. Open the paper output flap.

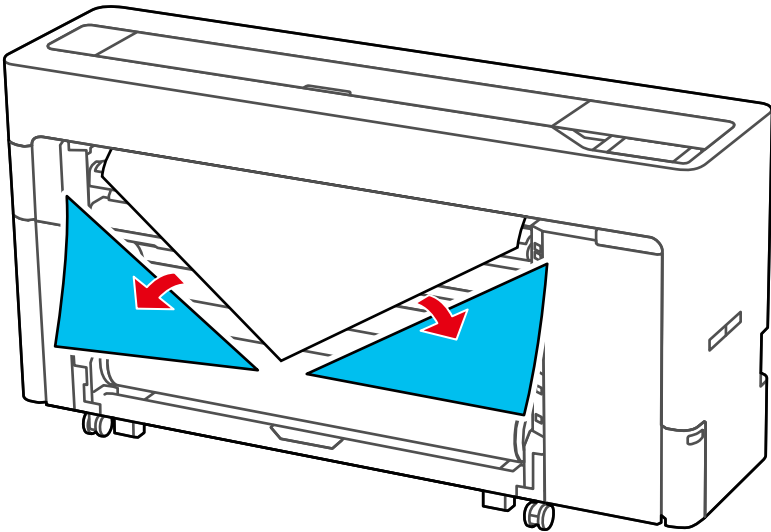
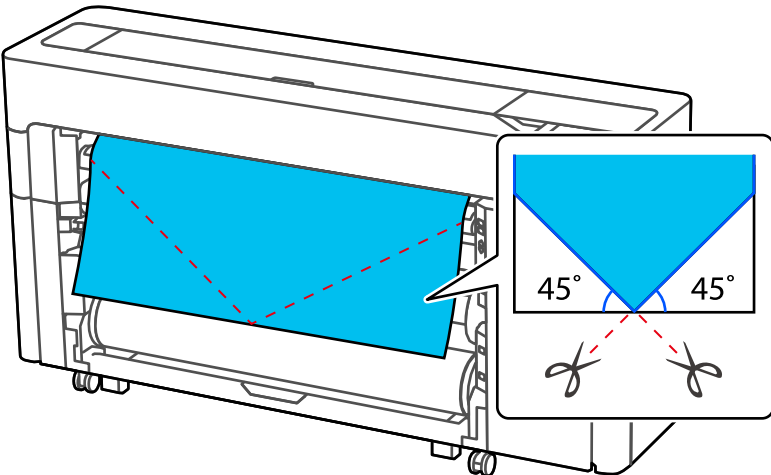


18. With the paper output flap extended, lift up the paper support lock lever to release the paper support, then set the paper support to position **B** (the middle position) as shown.



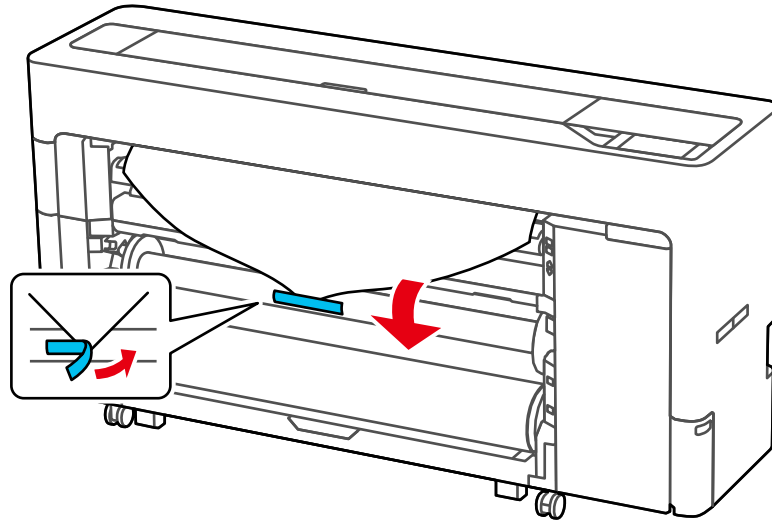
19. Select the paper information area on the LCD screen and select **Feed to Take-up Position** to position the paper so that it can be attached to the take-up roll.
20. Select **Backward** and **Forward** to adjust the paper length required for take-up loading.

21. Cut the leading edge of the paper as shown.

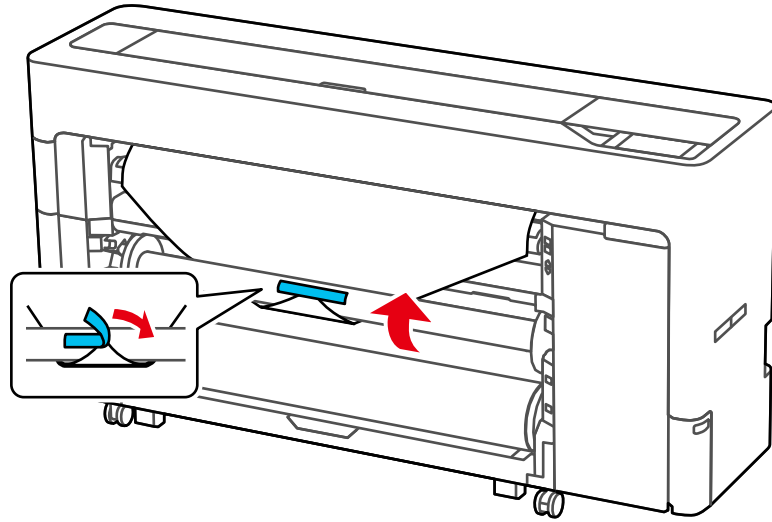


22. Confirm the take-up direction and tape the edge of the media to the center of the core as shown.

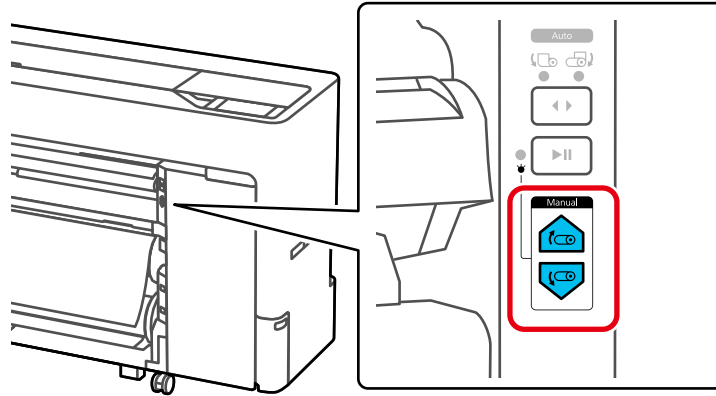
- **Printable side out**



- **Printable side in**



23. Select and hold **Forward** on the control panel to feed the roll paper about one revolution of the take-up roll core.
24. Press and hold the **Manual** take-up button to wind the roll paper once around the roll core.



25. Make sure that there is some slack in the media and that it loads evenly on both sides.

Note: The media will not take up correctly if it is looser on one side than the other.

26. Select **Complete** when you are finished.

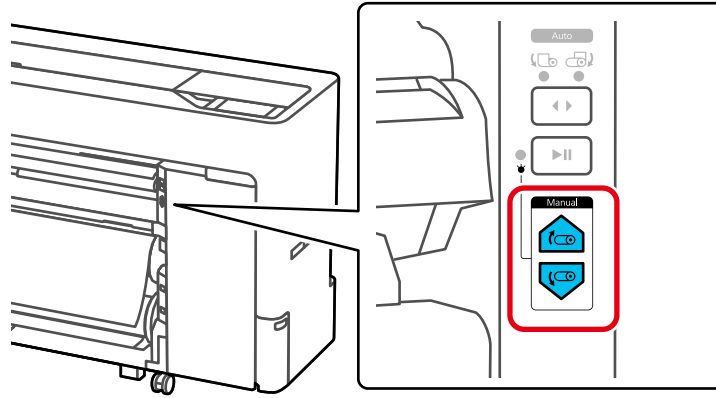
Parent topic: [About Auto Take-up \(Dual Roll Models Only\)](#)

Removing the Auto Take-up Media

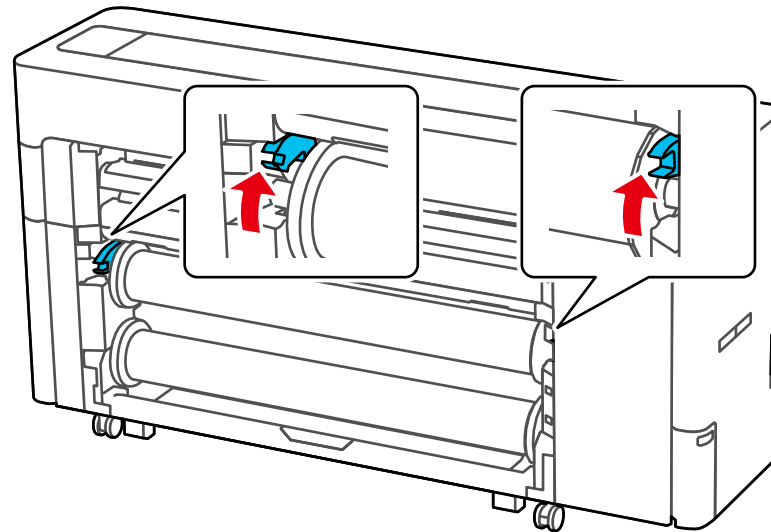
Follow these steps to remove the printed take-up media.

1. Select  > **Paper Setting** > **Roll 2** > **Feed/Cut Paper** and adjust the cutting position.

2. Cut the media and press the **Manual** take-up button to roll the cut end onto the take-up roll.

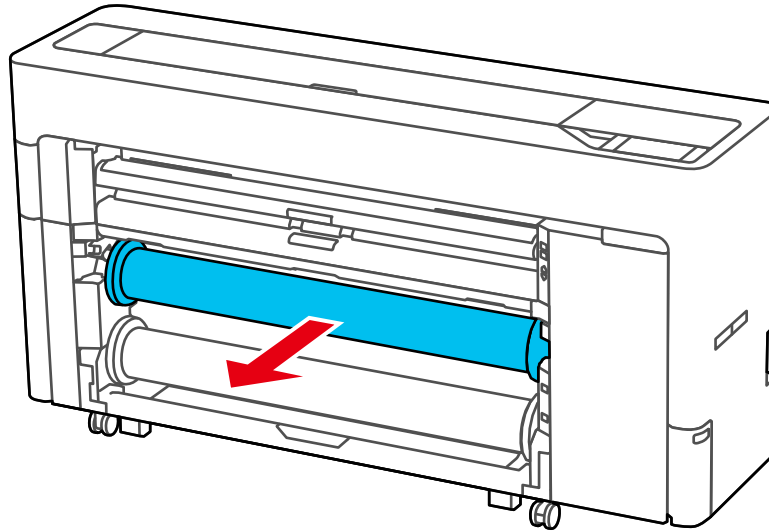


3. Pull up the lock lever on the Roll 1 spindle.

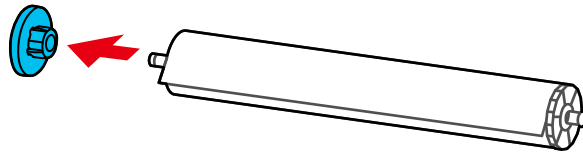


Note: Make sure you pull the lock lever all the way up to unlock it completely.

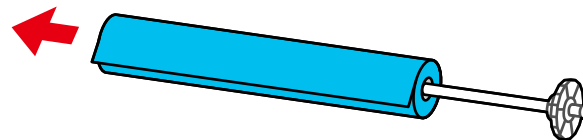
4. Remove the spindle.



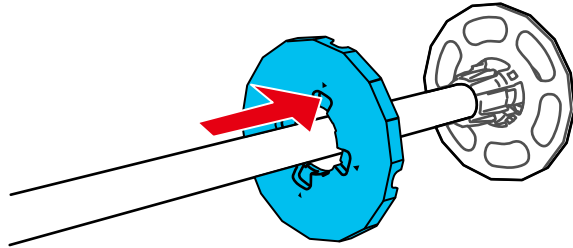
5. Remove the transparent paper stop from the spindle.



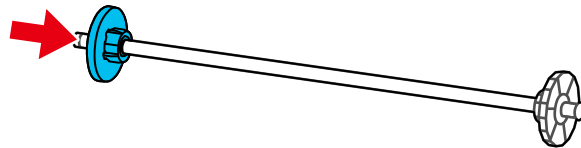
6. Slide the taken-up media off of the spindle.



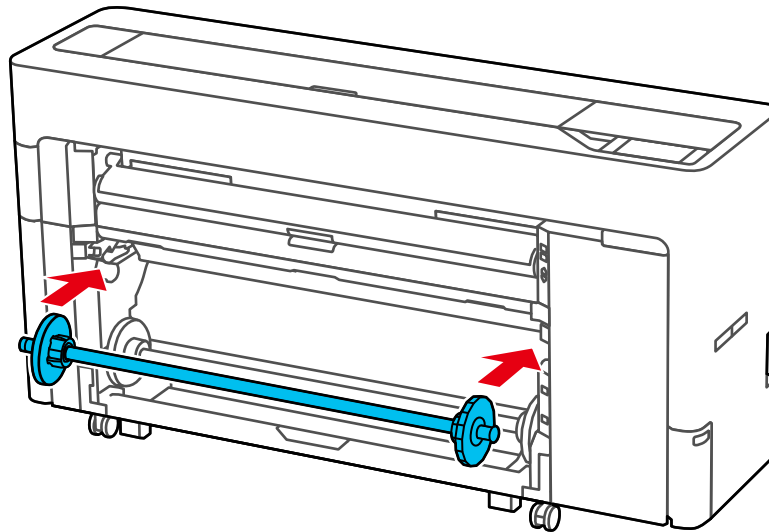
7. Re-attach the rim of the paper stop to the end of the spindle.



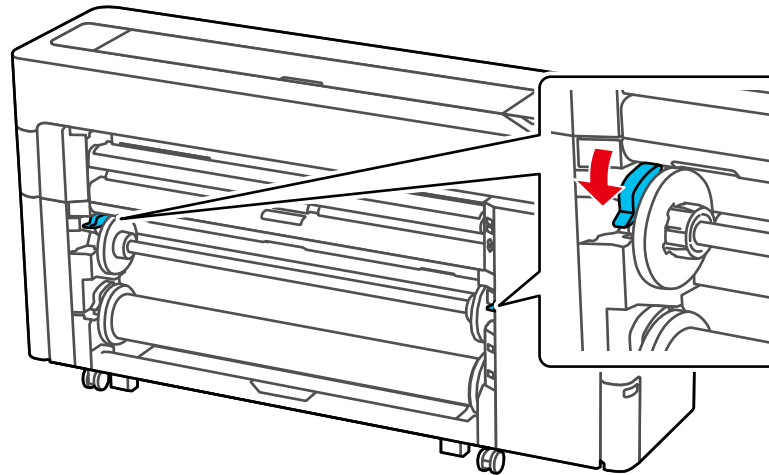
8. Re-attach the transparent paper stop to the spindle.



9. Place the spindle into the grooves on the printer with the black paper stop on the right.



10. Push down the lock lever on the Roll 1 spindle to lock it in place.



Parent topic: [About Auto Take-up \(Dual Roll Models Only\)](#)

Available Epson Papers

The following Epson special media is recommended for high-quality printing results.

Note: Supported paper width and embedded media profiles vary by model.

Note: Paper/media availability varies by country.

U.S. and Canada

You can purchase genuine Epson ink, paper, and accessories from an Epson authorized reseller. To find the nearest reseller, visit proimaging.epson.com (U.S.) or proimaging.epson.ca (Canada), select your product series and product, and click the **Where to Buy** button. Or call 800-GO-EPSON (800-463-7766) in the U.S. or 800-807-7766 in Canada.

Note: For the most updated list of supported Epson papers, visit proimaging.epson.com (U.S.) or proimaging.epson.ca (Canada).

Latin America

You can purchase genuine Epson ink, paper, and accessories from an Epson authorized reseller. To find the nearest reseller, visit latin.epson.com or call your nearest Epson sales office.

Note: For the most updated list of supported Epson papers, visit latin.epson.com or call your nearest Epson sales office.

Roll Paper

Paper Type	Size	Part number	Amount
Epson Cold Press Bright	17 inches (432 mm) × 50 feet (15.2 m)	S042313	1 roll
	24 inches (610 mm) × 50 feet (15.3 m)	S042314	1 roll
	44 inches (1118 mm) × 50 feet (15.3 m) ¹	S042315	1 roll
Epson Cold Press Natural	17 inches (432 mm) × 50 feet (15.2 m)	S042303	1 roll
	24 inches (610 mm) × 50 feet (15.3 m)	S042304	1 roll
	44 inches (1118 mm) × 50 feet (15.3 m) ¹	S042305	1 roll
Epson Hot Press Bright	17 inches (432 mm) × 50 feet (15.2 m)	S042333	1 roll
	24 inches (610 mm) × 50 feet (15.3 m)	S042334	1 roll
	44 inches (1118 mm) × 50 feet (15.3 m) ¹	S042335	1 roll
Epson Hot Press Natural	17 inches (432 mm) × 50 feet (15.2 m)	S042323	1 roll
	24 inches (610 mm) × 50 feet (15.3 m)	S042324	1 roll
	44 inches (1118 mm) × 50 feet (15.3 m) ¹	S042325	1 roll

Paper Type	Size	Part number	Amount
Epson Premium Luster Photo Paper (260)	8.3 inches (211 mm) × 32 feet (9.8 m)	S041408	1 roll
	10 inches (254 mm) × 100 feet (30.5 m)	S042077	1 roll
	13 inches (330 mm) × 32 feet (9.8 m)	S041409	1 roll
	16 inches (406 mm) × 100 feet (30.5 m)	S042079	1 roll
	24 inches (610 mm) × 100 feet (30.5 m)	S042081	1 roll
	36 inches (914 mm) × 100 feet (30.5 m) ²	S042082	1 roll
	44 inches (1118 mm) × 100 feet (30.5 m) ¹	S042083	1 roll
Epson Metallic Photo Paper Glossy	16 inches (406 mm) × 100 feet (30.5 m)	S045585	1 roll
	24 inches (610 mm) × 100 feet (30.5 m)	S045586	1 roll
	36 inches (914 mm) × 100 feet (30.5 m) ²	S045587	1 roll
	44 inches (1118 mm) × 100 feet (30.5 m) ¹	S045588	1 roll
Epson Metallic Photo Paper Luster	16 inches (406 mm) × 100 feet (30.5 m)	S045592	1 roll
	24 inches (610 mm) × 100 feet (30.5 m)	S045593	1 roll
	36 inches (914 mm) × 100 feet (30.5 m) ²	S045594	1 roll
	44 inches (1118 mm) × 100 feet (30.5 m) ¹	S045595	1 roll

Paper Type	Size	Part number	Amount
Epson Proofing Paper White Semimatte	13 inches (300 mm) × 100 feet (30.5 m)	S042002	1 roll
	17 inches (432 mm) × 100 feet (30.5 m)	S042003	1 roll
	24 inches (610 mm) × 100 feet (30.5 m)	S042004	1 roll
	36 inches (914 mm) × 100 feet (30.5 m) ²	S042005	1 roll
	44 inches (1118 mm) × 100 feet (30.5 m) ¹	S042006	1 roll
Epson Standard Proofing Paper Publication	13 inches (300 mm) × 100 feet (30.5 m)	S041996	1 roll
	17 inches (432 mm) × 100 feet (30.5 m)	S041997	1 roll
	24 inches (610 mm) × 100 feet (30.5 m)	S041998	1 roll
	36 inches (914 mm) × 100 feet (30.5 m) ²	S041999	1 roll
	44 inches (1118 mm) × 100 feet (30.5 m) ¹	S042001	1 roll
Epson Standard Proofing Paper Commercial	13 inches (300 mm) × 100 feet (30.5 m)	S042144	1 roll
	17 inches (432 mm) × 100 feet (30.5 m)	S041997	1 roll
	24 inches (610 mm) × 100 feet (30.5 m)	S041998	1 roll
	36 inches (914 mm) × 100 feet (30.5 m) ²	S041999	1 roll
	44 inches (1118 mm) × 100 feet (30.5 m) ¹	S042001	1 roll

Paper Type	Size	Part number	Amount
Epson Ultra Premium Photo Paper Luster	13 inches (330 mm) × 32.8 feet (10 m)	S041409	1 roll
Epson Exhibition Canvas Matte	13 inches (330 mm) × 20 feet (6.1 m)	S045255	1 roll
	17 inches (432 mm) × 40 feet (12.2 m)	S045256	1 roll
	24 inches (610 mm) × 40 feet (12.2 m)	S045257	1 roll
	36 inches (914 mm) × 40 feet (12.2 m) ²	S045258	1 roll
	44 inches (1118 mm) × 40 feet (12.2 m) ¹	S045259	1 roll
Epson Exhibition Canvas Satin	13 inches (330 mm) × 20 feet (6.1 m)	S045248	1 roll
	17 inches (432 mm) × 40 feet (12.2 m)	S045249	1 roll
	24 inches (610 mm) × 40 feet (12.2 m)	S045250	1 roll
	36 inches (914 mm) × 40 feet (12.2 m) ²	S045251	1 roll
	44 inches (1118 mm) × 40 feet (12.2 m) ¹	S045252	1 roll

Paper Type	Size	Part number	Amount
Epson Exhibition Canvas Gloss	13 inches (330 mm) × 20 feet (6.1 m)	S045241	1 roll
	17 inches (432 mm) × 40 feet (12.2 m)	S045242	1 roll
	24 inches (610 mm) × 40 feet (12.2 m)	S045243	1 roll
	36 inches (914 mm) × 40 feet (12.2 m) ²	S045244	1 roll
	44 inches (1118 mm) × 40 feet (12.2 m) ¹	S045245	1 roll
Epson Exhibition Fiber Paper	17 inches (432 mm) × 50 feet (15.2 m)	S045188	1 roll
	24 inches (610 mm) × 50 feet (15.3 m)	S045189	1 roll
	44 inches (1118 mm) × 50 feet (15.3 m) ¹	S045190	1 roll
Epson Premium Glossy Photo Paper (250)	16 inches (406 mm) × 100 feet (30.5 m)	S041742	1 roll
	24 inches (610 mm) × 100 feet (30.5 m)	S041638	1 roll
	36 inches (914 mm) × 100 feet (30.5 m) ²	S041639	1 roll
	44 inches (1118 mm) × 100 feet (30.5 m) ¹	S041640	1 roll
Epson Premium Semigloss Photo Paper (250)	16 inches (406 mm) × 100 feet (30.5 m)	S041743	1 roll

Paper Type	Size	Part number	Amount
Epson Premium Semigloss Photo Paper (170)	24 inches (610 mm) × 100 feet (30.5 m)	S041393	1 roll
	36 inches (914 mm) × 100 feet (30.5 m) ²	S041394	1 roll
	44 inches (1118 mm) × 100 feet (30.5 m) ¹	S041395	1 roll
Epson Premium Semimatte Photo Paper (250)	16 inches (406 mm) × 100 feet (30.5 m)	S042149	1 roll
	24 inches (610 mm) × 100 feet (30.5 m)	S042150	1 roll
	36 inches (914 mm) × 100 feet (30.5 m) ²	S042151	1 roll
	44 inches (1118 mm) × 100 feet (30.5 m) ¹	S042152	1 roll
Epson Premium Glossy Photo Paper (170)	16.5 inches (419 mm) × 100 feet (30.5 m)	S042076	1 roll
	24 inches (610 mm) × 100 feet (30.5 m)	S041390	1 roll
	36 inches (914 mm) × 100 feet (30.5 m) ²	S041391	1 roll
	44 inches (1118 mm) × 100 feet (30.5 m) ¹	S041392	1 roll
Epson Enhanced Matte Paper	16 inches (406 mm) × 100 feet (30.5 m)	S041725	1 roll
	24 inches (610 mm) × 100 feet (30.5 m)	S041595	1 roll
	36 inches (914 mm) × 100 feet (30.5 m) ²	S041596	1 roll
	44 inches (1118 mm) × 100 feet (30.5 m) ¹	S041597	1 roll

Paper Type	Size	Part number	Amount
Epson Singleweight Matte Paper	17 inches (432 mm) × 132 feet (40.2 m)	S041746	1 roll
	24 inches (610 mm) × 132 feet (40.2 m)	S041853	1 roll
	36 inches (914 mm) × 132 feet (40.2 m) ²	S041854	1 roll
	44 inches (1118 mm) × 132 feet (40.2 m) ¹	S041855	1 roll
Epson Doubleweight Matte Paper	24 inches (610 mm) × 82 feet (25 m)	S041385	1 roll
	36 inches (914 mm) × 82 feet (25 m) ²	S041386	1 roll
	44 inches (1118 mm) × 82 feet (25 m) ¹	S041387	1 roll
Epson Legacy Platine	17 inches (432 mm) × 50 feet (15.2 m)	S450076	1 roll
	24 inches (610 mm) × 50 feet (15.3 m)	S450077	1 roll
	44 inches (1118 mm) × 50 feet (15.3 m) ¹	S450078	1 roll
Epson Legacy Fibre	17 inches (432 mm) × 50 feet (15.2 m)	S450082	1 roll
	24 inches (610 mm) × 50 feet (15.3 m)	S450083	1 roll
	44 inches (1118 mm) × 50 feet (15.3 m) ¹	S450084	1 roll

Paper Type	Size	Part number	Amount
Epson Legacy Etching	17 inches (432 mm) × 50 feet (15.2 m)	S450088	1 roll
	24 inches (610 mm) × 50 feet (15.3 m)	S450089	1 roll
	44 inches (1118 mm) × 50 feet (15.3 m) ¹	S450090	1 roll
Epson Legacy Baryta II	17 inches (432 mm) × 50 feet (15.2 m)	S450094	1 roll
	24 inches (610 mm) × 50 feet (15.3 m)	S450095	1 roll
	44 inches (1118 mm) × 50 feet (15.3 m) ¹	S450096	1 roll
Epson Legacy Textured	17 inches (432 mm) × 50 feet (15.2 m)	S450311	1 roll
	24 inches (610 mm) × 50 feet (15.3 m)	S450312	1 roll
	44 inches (1118 mm) × 50 feet (15.3 m) ¹	S450313	1 roll

¹ SureColor P8570D/P8570DL/T7770D/T7770DL only

² SureColor P8570D/P8570DL/T5770D/T7770D/T7770DL only

Cut Sheets

Paper Type	Size	Part number	Sheet Count
Epson Cold Press Bright	Letter (8.5 × 11 inches [216 × 279 mm])	S042307	25
	13 × 19 inches (330 × 483 mm)	S042310	25
	17 × 22 inches (432 × 559 mm)	S042311	25

Paper Type	Size	Part number	Sheet Count
Epson Cold Press Natural	Letter (8.5 × 11 inches [216 × 279 mm])	S042297	25
	13 × 19 inches (330 × 483 mm)	S042300	25
	17 × 22 inches (432 × 559 mm)	S042301	25
Epson Velvet Fine Art Paper	Letter (8.5 × 11 inches [216 × 279 mm])	S041636	20
	13 × 19 inches (330 × 483 mm)	S041637	20
	17 × 22 inches (432 × 559 mm)	S042097	25
Epson Exhibition Fiber Paper	Letter (8.5 × 11 inches [216 × 279 mm])	S045033	25
	13 × 19 inches (330 × 483 mm)	S045037	25
	17 × 22 inches (432 × 559 mm)	S045039	25
Epson Hot Press Bright	Letter (8.5 × 11 inches [216 × 279 mm])	S042327	25
	13 × 19 inches (330 × 483 mm)	S042330	25
	17 × 22 inches (432 × 559 mm)	S042331	25
Epson Hot Press Natural	Letter (8.5 × 11 inches [216 × 279 mm])	S042317	25
	13 × 19 inches (330 × 483 mm)	S042320	25
	17 × 22 inches (432 × 559 mm)	S042321	25
Epson Ultra Premium Photo Paper Glossy	Letter (8.5 × 11 inches [216 × 279 mm])	S042175	20
	8 × 10 inches (203 × 254 mm)	S041946	20
Epson Metallic Photo Paper Glossy	Letter (8.5 × 11 inches [216 × 279 mm])	S045589	25
	13 × 19 inches (330 × 483 mm)	S045590	25
	17 × 22 inches (432 × 559 mm)	S045591	25

Paper Type	Size	Part number	Sheet Count
Epson Metallic Photo Paper Luster	Letter (8.5 × 11 inches [216 × 279 mm])	S045516	25
	13 × 19 inches (330 × 483 mm)	S045517	25
	17 × 22 inches (432 × 559 mm)	S045598	25
Epson Photo Paper Glossy	Letter (8.5 × 11 inches [216 × 279 mm])	S041649	50
	11 × 17 inches (279 × 432 mm)	S041156	20
	13 × 19 inches (330 × 483 mm)	S041143	20
	Letter (8.5 × 11 inches [216 × 279 mm])	S041271	100
Epson Premium Photo Paper Glossy	Letter (8.5 × 11 inches [216 × 279 mm])	S041286	20
	A3 (11.7 × 16.5 inches [297 × 420 mm])	S041288	20
	13 × 19 inches (330 × 483 mm)	S041289	20
	Letter (8.5 × 11 inches [216 × 279 mm])	S041667	50
	11 × 17 inches (279 × 432 mm)	S041290	20
	4 × 6 inches (102 × 152 mm)	S041727	100
	5 × 7 inches (127 × 178 mm)	S041464	20
	8 × 10 inches (203 × 254 mm)	S041465	20
	11 × 14 inches (279 × 356 mm)	S041466	20
	17 × 22 inches (432 × 559 mm)	S042092	25

Paper Type	Size	Part number	Sheet Count
Epson Premium Photo Paper Semi-gloss	Letter (8.5 × 11 inches [216 × 279 mm])	S041331	20
	13 × 19 inches (330 × 483 mm)	S041327	20
	8 × 10 inches (203 × 254 mm)	S041467	50
	Letter (8.5 × 11 inches [216 × 279 mm])	S041257	50
	11 × 14 inches (279 × 356 mm)	S041468	50
	A3 (11.7 × 16.5 inches [297 × 420 mm])	S041260	50
	13 × 19 inches (330 × 483 mm)	S041263	50
	17 × 22 inches (432 × 559 mm)	S042124	25
Epson Premium Presentation Paper Matte	Letter (8.5 × 11 inches [216 × 279 mm])	S041062	100
	Legal (8.5 × 14 inches [216 × 356 mm])	S041067	100
	11 × 17 inches (279 × 432 mm)	S041070	
	13 × 19 inches (330 × 483 mm)	S041069	100
	16.5 × 23.4 inches (420 × 594 mm)	S041079	30
	17 × 22 inches (432 × 559 mm)	S041171	100
Epson Proofing Paper White Semimatte	13 × 19 inches (330 × 483 mm)	S045115	100
Epson Standard Proofing Paper (240)	13 × 19 inches (330 × 483 mm)	S045115	100

Paper Type	Size	Part number	Sheet Count
Epson Ultra Premium Photo Paper Luster	Letter (8.5 × 11 inches [216 × 279 mm])	S041405	50
	A3 (11.7 × 16.5 inches [297 × 420 mm])	S041406	50
	13 × 19 inches (330 × 483 mm)	S041407	50
	13 × 19 inches (330 × 483 mm)	S041604	100
	17 × 22 inches (432 × 559 mm)	S042084	25
Epson Ultra Premium Presentation Paper Matte	Letter (8.5 × 11 inches [216 × 279 mm])	S041341	50
	A3 (11.7 × 16.5 inches [297 × 420 mm])	S041343	50
	13 × 19 inches (330 × 483 mm)	S041605	100
	17 × 22 inches (432 × 559 mm)	S041908	100
	13 × 19 inches (330 × 483 mm)	S041339	50
Epson UltraSmooth Fine Art Paper	13 × 19 inches (330 × 483 mm)	S041896	25
	17 × 22 inches (432 × 559 mm)	S041897	25
Epson Watercolor Paper Radiant White	13 × 19 inches (330 × 483 mm)	S041351	20
Epson Exhibition Canvas Matte	17 × 22 inches (432 × 559 mm)	S045261	25
Epson Legacy Platine	Letter (8.5 × 11 inches [216 × 279 mm])	S450079	25
	13 × 19 inches (330 × 483 mm)	S450080	25
	17 × 22 inches (432 × 559 mm)	S450081	25
Epson Legacy Fibre	Letter (8.5 × 11 inches [216 × 279 mm])	S450085	25
	13 × 19 inches (330 × 483 mm)	S450086	25
	17 × 22 inches (432 × 559 mm)	S450087	25

Paper Type	Size	Part number	Sheet Count
Epson Legacy Etching	Letter (8.5 × 11 inches [216 × 279 mm])	S450091	25
	13 × 19 inches (330 × 483 mm)	S450092	25
	17 × 22 inches (432 × 559 mm)	S450093	25
Epson Legacy Baryta II	Letter (8.5 × 11 inches [216 × 279 mm])	S450097	25
	13 × 19 inches (330 × 483 mm)	S450098	25
	17 × 22 inches (432 × 559 mm)	S450099	25
Epson Legacy Textured	Letter (8.5 × 11 inches [216 × 279 mm])	S450308	25
	13 × 19 inches (330 × 483 mm)	S450309	25
	17 × 22 inches (432 × 559 mm)	S450310	25

Parent topic: [Media Handling](#)

Borderless Paper Type Compatibility

You can print borderless photos on compatible paper types in compatible paper widths.

Note: Compatible paper width varies by model.

Borderless Paper Types

- Epson Singleweight Matte Paper
- Epson Doubleweight Matte Paper
- Epson Premium Glossy Photo Paper (250)
- Epson Premium Semigloss Photo Paper (170)
- Epson Premium Glossy Photo Paper (170)
- Epson Premium Semimatte Photo Paper (250)
- Epson Premium Luster Photo Paper (260)

Borderless Paper Widths

- 10 inches (254 mm)
- 11.8 inches (300 mm)
- 13 inches (330 mm)
- 16 inches (406 mm)
- 17 inches (432 mm)
- 19.6 inches (500 mm)
- 20 inches (508 mm)
- 20.3 inches (515 mm)
- 23 inches (594 mm)
- 24 inches (610 mm)
- 27.5 inches (700 mm)¹
- 28.6 inches (728 mm)¹
- 33 inches (841 mm)¹
- 36 inches (914 mm)¹
- 40.5 inches (1030 mm)²
- 44 inches (1118 mm)²

¹ SureColor P8570D/P8570DL/T5770D/T5770DM/T7770D/T7770DL/T7770DM only

² SureColor P8570D/P8570DL/T7770D/T7770DL/T7770DM only

Parent topic: [Media Handling](#)

Supported Paper Widths

The following paper widths are supported. You can perform right and left borderless printing on paper sizes that support borderless printing.

SureColor P8570D/P8570DL/T7770D/T7770DL/T7770DM

Paper Width	Supported	Borderless
44 inches (1118 mm)	Supported	Supported
42 inches (1067 mm)	Supported	—

Paper Width	Supported	Borderless
42 inches (1030 mm)	Supported	Supported
42 inches (1000 mm)	Supported	—
36 inches (914 mm)	Supported	Supported
36 inches (900 mm)	Supported	—
34 inches (864 mm)	Supported	—
ISO A0 (841 mm)	Supported	Supported
ISO A0 (800 mm)	Supported	—
30 inches (762 mm)	Supported	—
JIS B1/B2 (728 mm)	Supported	Supported
F (711 mm)	—	—
ISO B1/B2 (707 mm)	Supported	—
ISO B1/B2 (700 mm)	Supported	Supported
27 inches (686 mm)	—	—
26 inches (660 mm)	—	—
24 inches (610 mm)	Supported	Supported
24 inches (600 mm)	Supported	—
ISO A1/A2 (594 mm)	Supported	Supported
22 inches (559 mm)	Supported	—
JIS B2/B3 (515 mm)	Supported	Supported
20 inches (508 mm)	Supported	Supported
20 inches (500 mm)	Supported	Supported
18 inches (457 mm)	Supported	—
18 inches (450 mm)	—	—
17 inches (432 mm)	Supported	Supported
ISO A2/A3 (420 mm)	Supported	—
16 inches (406 mm)	Supported	Supported

Paper Width	Supported	Borderless
16 inches (400 mm)	Supported	—
JIS B3/B4 (364 mm)	Supported	—
14 inches (356 mm)	Supported	—
ISO B3 (353 mm)	—	—
13 inches (330 mm)	Supported	Supported
12 inches (305 mm)	Supported	—
12 inches (300 mm)	Supported	Supported
ISO A3/A4 (297 mm)	Supported	—
11 inches (279 mm)	Supported	—
11 inches (257 mm)	Supported	—
10 inches (254 mm)	Supported	Supported
Less than 10 inches (254 mm)	—	—

SureColor T5770D/T5770DM

Paper Width	Supported	Borderless
44 inches (1118 mm)	—	—
42 inches (1067 mm)	—	—
42 inches (1030 mm)	—	—
42 inches (1000 mm)	—	—
36 inches (914 mm)	Supported	Supported
36 inches (900 mm)	Supported	—
34 inches (864 mm)	Supported	Supported
ISO A0 (841 mm)	Supported	Supported
ISO A0 (800 mm)	Supported	—
30 inches (762 mm)	Supported	—
JIS B1/B2 (728 mm)	Supported	Supported

Paper Width	Supported	Borderless
F (711 mm)	—	—
ISO B1/B2 (707 mm)	Supported	—
ISO B1/B2 (700 mm)	Supported	Supported
27 inches (686 mm)	—	—
26 inches (660 mm)	—	—
24 inches (610 mm)	Supported	Supported
24 inches (600 mm)	Supported	—
ISO A1/A2 (594 mm)	Supported	Supported
22 inches (559 mm)	Supported	—
JIS B2/B3 (515 mm)	Supported	Supported
20 inches (508 mm)	Supported	Supported
20 inches (500 mm)	Supported	Supported
18 inches (457 mm)	Supported	—
18 inches (450 mm)	—	—
17 inches (432 mm)	Supported	Supported
ISO A2/A3 (420 mm)	Supported	—
16 inches (406 mm)	Supported	Supported
16 inches (400 mm)	Supported	—
JIS B3/B4 (364 mm)	Supported	—
14 inches (356 mm)	Supported	—
ISO B3 (353 mm)	—	—
13 inches (330 mm)	Supported	Supported
12 inches (305 mm)	Supported	—
12 inches (300 mm)	Supported	Supported
ISO A3/A4 (297 mm)	Supported	—
11 inches (279 mm)	Supported	—

Paper Width	Supported	Borderless
11 inches (257 mm)	Supported	—
10 inches (254 mm)	Supported	Supported
Less than 10 inches (254 mm)	—	—

SureColor P6570D/P6570DE/P6570E/T3770D/T3770DE/T3770E

Paper Width	Supported	Borderless
44 inches (1118 mm)	—	—
42 inches (1067 mm)	—	—
42 inches (1030 mm)	—	—
42 inches (1000 mm)	—	—
36 inches (914 mm)	—	—
36 inches (900 mm)	—	—
34 inches (864 mm)	—	—
ISO A0 (841 mm)	—	—
ISO A0 (800 mm)	—	—
30 inches (762 mm)	—	—
JIS B1/B2 (728 mm)	—	—
F (711 mm)	—	—
ISO B1/B2 (707 mm)	—	—
ISO B1/B2 (700 mm)	—	—
27 inches (686 mm)	—	—
26 inches (660 mm)	—	—
24 inches (610 mm)	Supported	Supported
24 inches (600 mm)	Supported	—
ISO A1/A2 (594 mm)	Supported	Supported
22 inches (559 mm)	Supported	—

Paper Width	Supported	Borderless
JIS B2/B3 (515 mm)	Supported	Supported
20 inches (508 mm)	Supported	Supported
20 inches (500 mm)	Supported	Supported
18 inches (457 mm)	Supported	—
18 inches (450 mm)	—	—
17 inches (432 mm)	Supported	Supported
ISO A2/A3 (420 mm)	Supported	—
16 inches (406 mm)	Supported	Supported
16 inches (400 mm)	Supported	—
JIS B3/B4 (364 mm)	Supported	—
14 inches (356 mm)	Supported	—
ISO B3 (353 mm)	—	—
13 inches (330 mm)	Supported	Supported
12 inches (305 mm)	Supported	—
12 inches (300 mm)	Supported	Supported
ISO A3/A4 (297 mm)	Supported	—
11 inches (279 mm)	Supported	—
11 inches (257 mm)	Supported	Supported
10 inches (254 mm)	Supported	Supported
Less than 10 inches (254 mm)	—	—

Parent topic: [Media Handling](#)

Paper or Media Type Settings - Printing Software

For this paper	Select this Paper Type or Media Type setting
Plain paper 16 to 20 lb (60 to 75 g/m ²)	Plain Paper
Epson Singleweight Matte Paper	Singleweight Matte Paper




For this paper	Select this Paper Type or Media Type setting
Epson Doubleweight Matte Paper	Doubleweight Matte Paper
Epson Premium Presentation Paper Matte	Enhanced Matte Paper Archival Matte Paper
Epson High Quality Ink Jet Paper	Photo Quality Ink Jet Paper
Epson Premium Glossy Photo Paper (170)	Premium Glossy Photo Paper (170)
Epson Premium Semigloss Photo Paper (170)	Premium Semigloss Photo Paper (170)
Epson Premium Photo Paper Glossy	Premium Glossy Photo Paper Photo Paper Glossy
Epson Premium Photo Paper Semi-gloss	Premium Semigloss Photo Paper
Epson Premium Luster Photo Paper (260) Epson Ultra Premium Photo Paper Luster	Premium Luster Photo Paper (260)
Photo paper (generic)	Photo Paper (Generic)
Tracing paper/vellum paper	Tracing Paper Tracing Paper <Low Duty> Matte Film
Enhanced Adhesive Synthetic Paper	Enhanced Adhesive Synthetic Paper Enhanced Low Adhesive Synthetic Paper
Epson Ultra Premium Presentation Paper Matte	Ultra Premium Presentation Matte
Epson Presentation Paper Matte	Presentation Paper Matte
Epson Premium Glossy Photo Paper (250)	Premium Glossy Photo Paper (250)
Epson Premium Semigloss Photo Paper (250)	Premium Semigloss Photo Paper (250)
Epson Exhibition Canvas Satin	Canvas Satin
Epson Exhibition Canvas Matte	Canvas Matte
Epson Legacy Baryta II	Baryta
Polyester banner (generic)	Heavy Weight Polyester Banner

Note: The settings listed here are available only when printing from your computer; they do not apply to your product's control panel settings.

Parent topic: [Media Handling](#)

Selecting the Paper Settings for Each Source - Control Panel

You can change the default paper size and paper type for each source using the control panel on the product.

1. Select the  home icon, if necessary.
2. Select  > **Paper Setting**.
3. Select the paper source you want to select settings for from the following options:
 - SureColor P6570D/P6570DE/P8570D/P8570DL/T3770D/T3770DE/T5770D/T5770DM/T7770D/T7770DL/T7770DM: **Roll 1, Roll 2, Cut Sheet, Poster Board**
 - SureColor P6570E/T3770E: **Roll, Cut Sheet, Poster Board**
4. Select the following settings depending on your paper source selection:
 - **Roll 1/Roll/Roll 2:**
Select **Change Paper Type > Paper Type** and select the type of paper you loaded, then select **Paper Width** and select the width of the loaded paper.
 - **Cut Sheet/Poster Board:**
Select **Change Paper Type/Paper Size > Paper Type** and select the type of paper you loaded, then select **Paper Size** and select the size of the loaded paper.
5. Select the  home icon to exit.

[Paper Type Settings - Control Panel](#)

Parent topic: [Media Handling](#)

Paper Type Settings - Control Panel

Select a **Paper Type** setting that matches the paper you loaded. If you do not see your paper type listed, select **Others** in the menu.

Paper type loaded	Paper Type setting
Plain paper 16 to 20 lb (60 to 75 g/m ²)	Plain Paper

Paper type loaded	Paper Type setting
Coated paper (generic)	Coated Paper (Generic)
Epson Doubleweight Matte Paper	Doubleweight Matte
Epson Premium Photo Paper Glossy	Premium Glossy Sheet
	Photo Paper
Epson Premium Presentation Paper Matte	Matte Paper
Tracing paper/vellum paper	CAD
Polyester banner (generic)	Heavyweight Polyester
Enhanced Adhesive Synthetic Paper	Enhanced Adhesive Syn.
	Enhanced Low Adh. Syn.

Parent topic: [Selecting the Paper Settings for Each Source - Control Panel](#)

Printing from a Computer

Before printing from your computer, make sure you have set up your product and installed its software as described on the *Start Here* sheet.

Note: If you have an Internet connection, it is a good idea to check for updates to your product software on Epson's support website. If you see a Software Update screen, select **Enable automatic checking** and click **OK**. The update scans your system to see if you have the latest product software. Follow the on-screen instructions. You can also check for updates using Epson Software Updater in the Epson software folder on your computer.

[Printing with Windows](#)

[Printing on a Mac](#)

[Printing CAD Drawings](#)

[Printing from a Shared Folder](#)

[Printing from a Web Browser](#)

[Switching the Roll Paper for Printing](#)

Printing with Windows

You can print with your product using any Windows application, as described in these sections.

Note: If you are using your Epson product with the Windows 10 S operating system, you cannot use the software described in this section. You also cannot download and install any Epson product software from the Epson website for use with Windows 10 S; you must obtain software only from the Windows Store.

[Selecting Basic Print Settings - Windows](#)

[Selecting Print Layout Options - Windows](#)

[Selecting Advanced Settings - Windows](#)

[Selecting Additional Settings - Windows](#)

[Saving, Sharing, and Customizing the Printer Settings](#)

[Printing Your Document or Photo - Windows](#)

[Selecting Default Print Settings - Windows](#)

[Changing the Language of the Printer Software Screens](#)

[Changing Automatic Update Options](#)

Parent topic: [Printing from a Computer](#)

Selecting Basic Print Settings - Windows

Select the basic settings for the document you want to print.

Note: The available settings and appearance of the print window may differ from those covered here, depending on the Windows version, application, and printer model you are using.

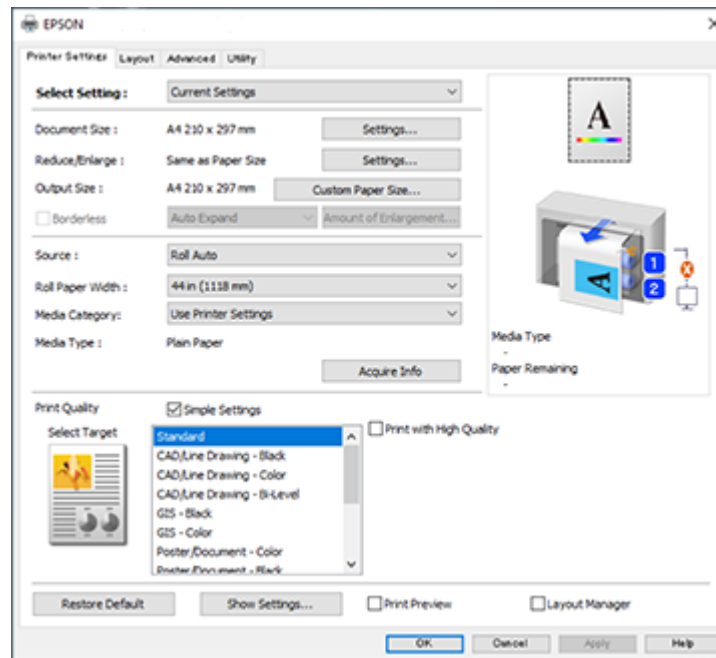
1. Open a document for printing.
2. Select the print command in your application.

Note: You may need to select a print icon on your screen, the **Print** option in the File menu, or another command. See your application's help utility for details.

3. If necessary, select your product name as the printer you want to use.

Note: You may also need to select **Preferences**, **Properties**, **Print Settings**, or **Printer Properties** to view your print settings.

You see the Printer Settings window:



Note: The appearance of the screen may differ from the one shown depending on your printer model and driver version.

4. Select the **Current Settings** option.
5. Click **Settings** to select the **Document Size** setting that matches the size of the digital document you are printing.

Note: The Document Size should be set before selecting an Output Size.

6. If you want your printout to be a different size than the selected document size, select the **Output Size** setting. Make sure to select a paper size that is larger than the selected document size or enlargement setting.

Note: Select **Custom Paper Size** to set a user-defined output size.

7. If you are printing a borderless photo, select **Borderless**. You can select **Amount of Enlargement** to access additional options for borderless printing.

Note: You must select a compatible borderless paper type and size to print without borders. Check the borderless paper compatibility list for details.

8. Select the **Source** setting that matches the paper source you want to use.

Note: If you select a roll paper option, select the width of the roll as the **Roll Paper Width** setting.

9. Select the **Media Category** setting that matches the paper you loaded.

Note: If you want to use paper settings that have been set in the printer's control panel, select **Use Printer Settings**.

Note: Click **Acquire Info** to refresh the settings if you loaded or changed paper after opening the print window.

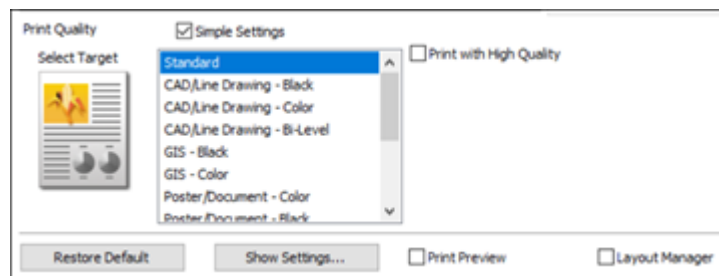
10. Select the **Media Type** setting that matches the paper you loaded.

Note: Click **Acquire Info** to refresh the settings if you loaded or changed paper after opening the print window.

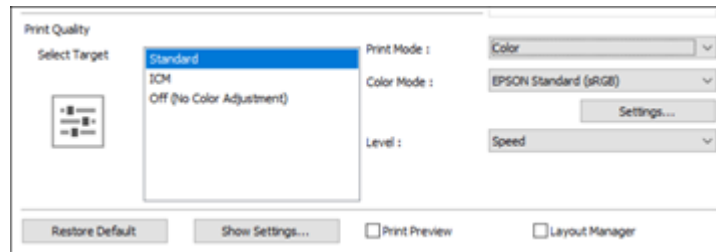
11. Set the print quality.

12. Select **Select Target** and make the following settings according to your model:

- **SureColor T-Series:** Select **Simple Settings** as necessary. When printing in high quality, select **Print with High Quality**. To make detailed print quality settings, deselect the **Simple Settings** checkbox.



- **SureColor P-Series:** Set the **Print Mode**, **Color Mode**, and **Level** as necessary.



13. To see a preview of how your document will print, select **Print Preview**. (The preview appears after you click **Print** but before printing starts.)
14. To layout multiple print data or images for printing all at once, select **Layout Manager**.

[Paper Source Options - Windows](#)

[Print Mode Options - Windows](#)

[Color Mode Options - Windows](#)

[Using Layout Manager - Windows](#)

Parent topic: [Printing with Windows](#)

Related references

[Borderless Paper Type Compatibility](#)

Related tasks

[Printing Your Document or Photo - Windows](#)

Paper Source Options - Windows

You can select any of the available options in the Source menu to print on the paper loaded in that source.

Roll Auto

Selects the appropriate roll for printing.

Roll 1/Roll

Selects roll paper loaded in Roll 1 (on dual roll models) or Roll (on single roll models).

Roll 2

Selects roll paper loaded in Roll 2 (not available on SureColor P6570E/T3770E).

Cut Sheet

Selects the cut sheet loaded in the paper feeder.

Poster Board

Selects the poster board loaded in the paper feeder.

Parent topic: [Selecting Basic Print Settings - Windows](#)

Print Mode Options - Windows

You can select a Print Mode option to determine the color of your printouts.

Note: Options may vary depending on printer model.

Color

Select to print your document in color.

Black

Select to print your document in black and white (grayscale is supported).

Black (Bi-Level)

Select to print CAD drawings in black and white (grayscale is not supported).

Parent topic: [Selecting Basic Print Settings - Windows](#)

Color Mode Options - Windows

The printer driver automatically adjusts colors to match the color space. You can adjust the **Color Mode** setting to fine-tune the colors in your printout or turn off color management in your printer software.

Note: On SureColor T3770D/T3770DE/T3770E/T5770D/T5770DM/T7770D/T7770DL/T7770DM, you can select the color correction method by deselecting the **Simple Settings** checkbox.

EPSON Standard (sRGB)

Optimizes the sRGB space.

Adobe RGB

Optimizes the Adobe RGB space.

Business Graphics

Performs color correction to optimize your images based on the sRGB space (SureColor T3770D/T3770DE/T3770E/T5770D/T5770DM/T7770D/T7770DL/T7770DM only).

Line Drawing

Optimizes color correction for line drawings by processing the border between lines and the background as discontinuous.

ICM

Automatically adjusts colors based on the printer's ICC profile and the selected **Media Type** setting, using the Image Color Matching system. Click the **Advanced** button to choose the input profile and other settings.

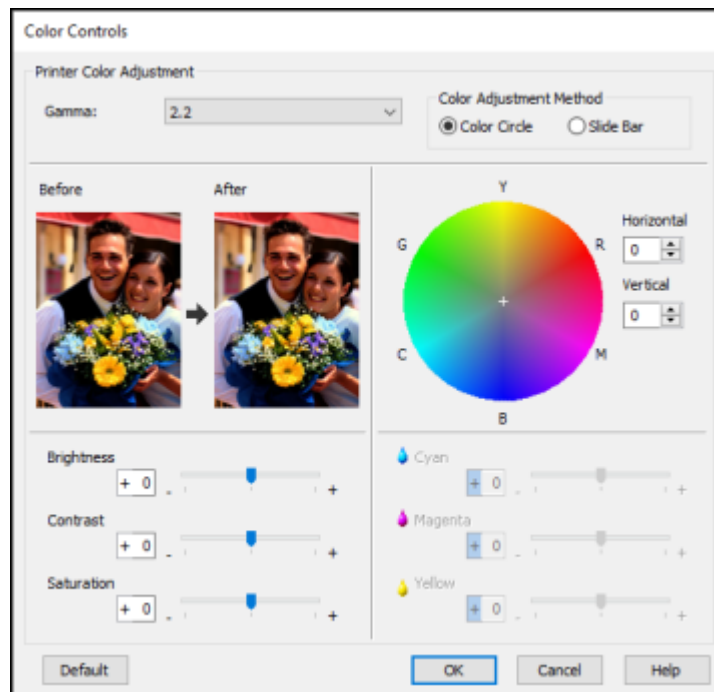
Note: In most cases, you get better results by applying color management in your application, rather than in the printer driver.

Off (No Color Adjustment)

Turns off color management in your printer software so you can manage color using only your application software.

Note: An ICC profile is required if color management is turned off.

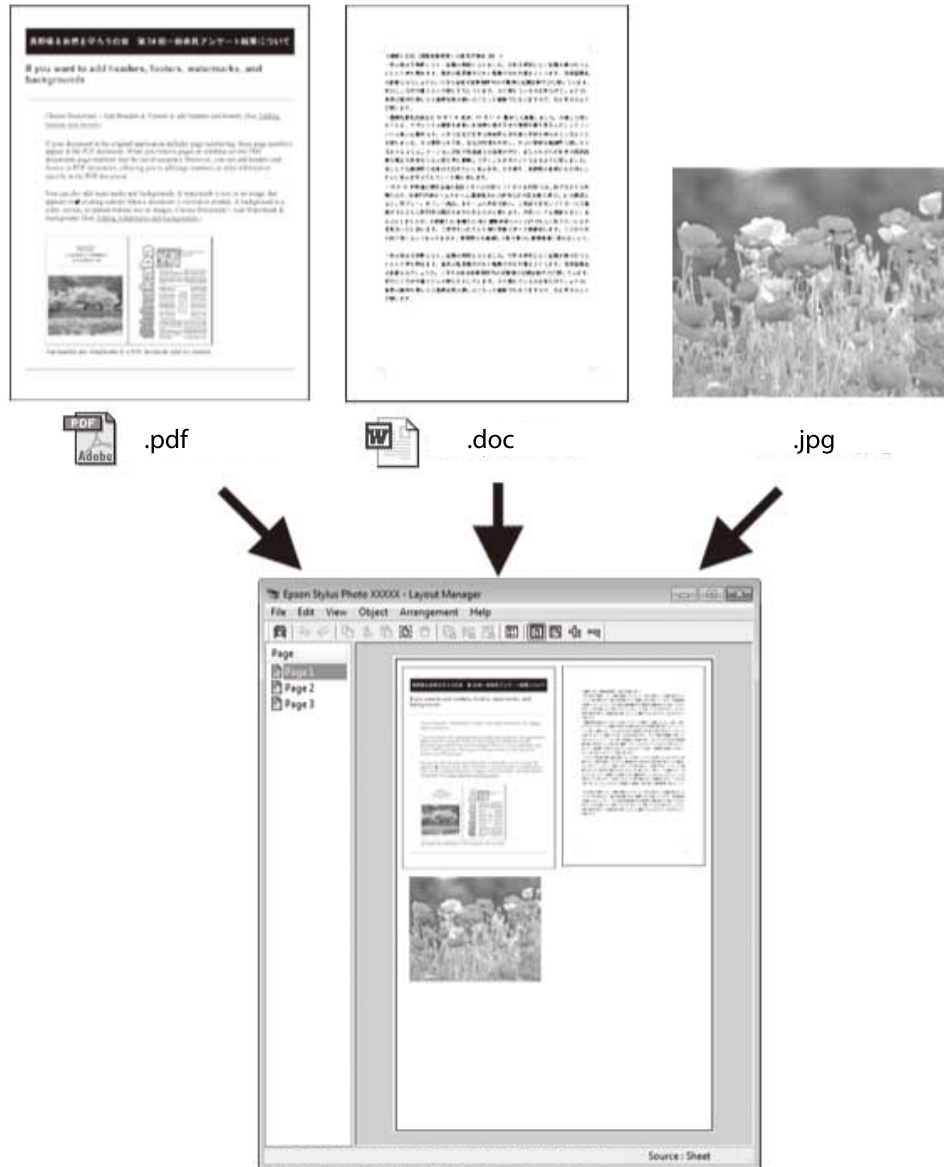
Click **Settings** to open the Color Controls menu, where you can specify values for adjusting brightness, contrast, saturation, and individual Cyan, Magenta, and Yellow color tones. You can choose from two Gamma settings, and use either a color circle or slide bar to adjust color.



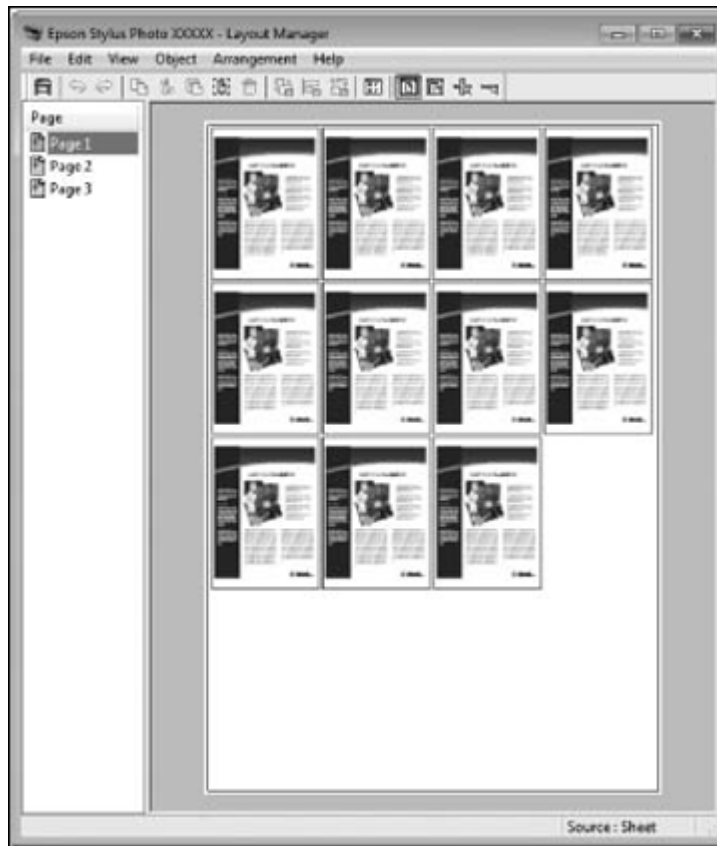
Parent topic: [Selecting Basic Print Settings - Windows](#)

Using Layout Manager - Windows

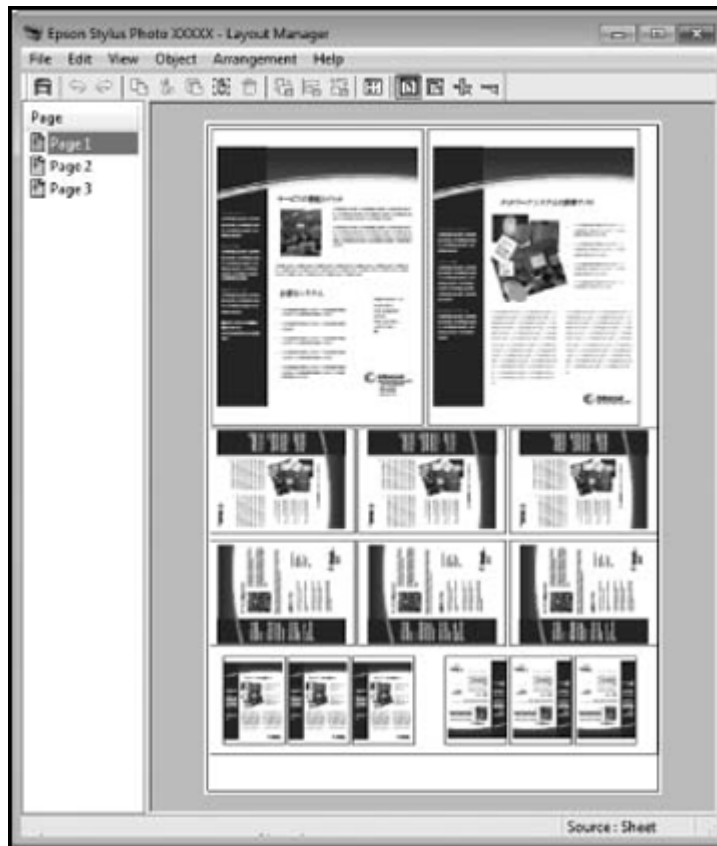
Layout Manager lets you include multiple pieces of print data created in different applications onto one sheet of paper for printing.



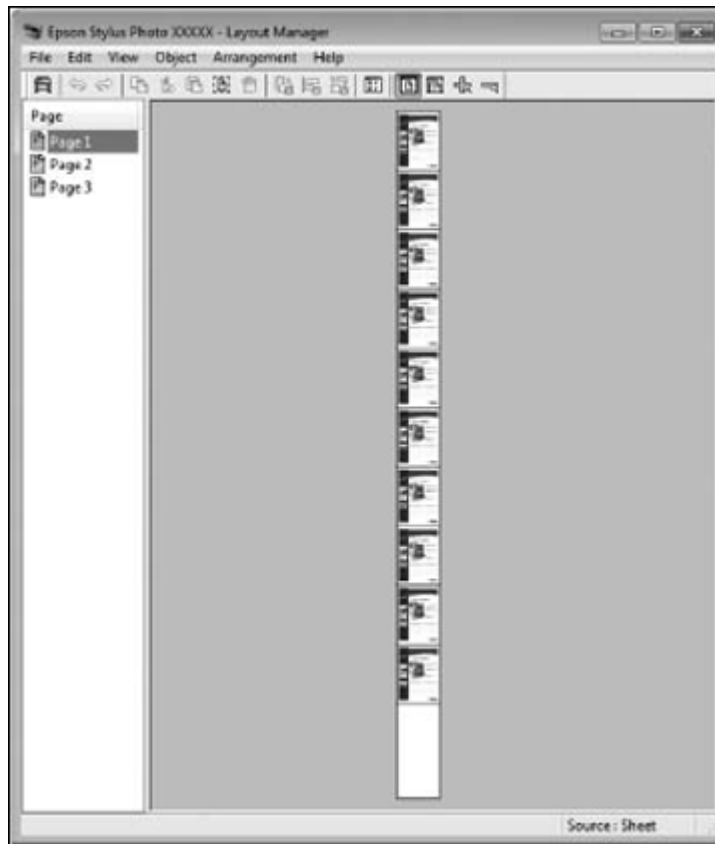
You can also place the same print data multiple times as shown here.



You can place print data in different sizes and orientations to maximize media usage, as shown here.



You can place print data on roll paper as shown here.



1. Open the file you want to print in your application.
2. Select the print command in your application.
3. Select the **Layout Manager** checkbox on the Printer Settings tab.
4. Choose an option for the **Document Size** setting that matches the size of the document in your application.
5. Click **OK** and then click **Print**, if necessary.

The Layout Manager screen opens and displays one page in the layout.

6. Leave the Layout Manager screen open and repeat steps 1 to 4 to arrange additional print data. The pages are added to the Layout Manager screen.
7. Do the following to arrange objects on the Layout Manager screen:
 - Drag pages to move and resize them.
 - Use the tool buttons and the Object menu to align and rotate pages.
 - Resize and replace whole pages in the Preference or Arrangement Settings screens.

Note: See the Layout Manager screen help for details.

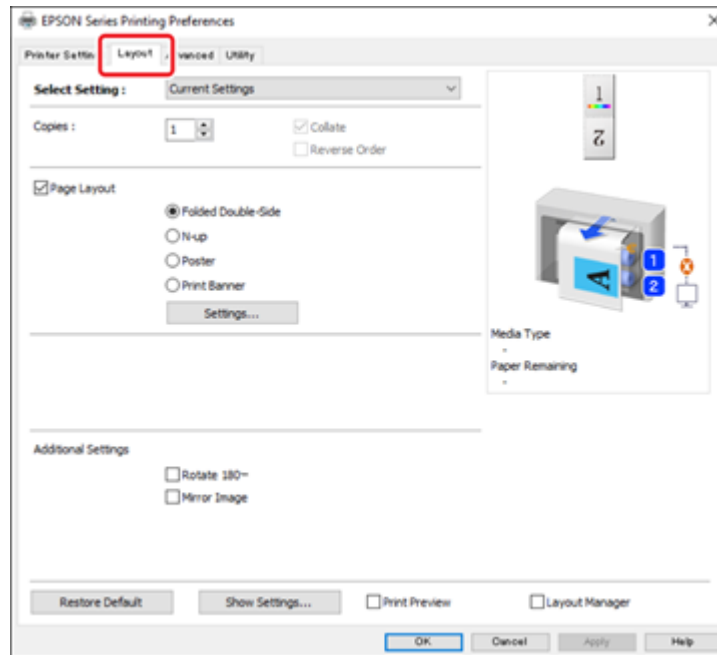
8. Click **File > Properties** and select your print settings, including the size of the paper you are printing on.
9. Open the **File** menu on the Layout Manager screen and click **Print**.

Note: To save the current job to a file, open the **File** menu on the Layout Manager screen, save the file, and close the Layout Manager screen. To open the saved file later for editing or reprinting, right-click the printer icon in the Windows taskbar, click **Layout Manager**, and select the file.

Parent topic: [Selecting Basic Print Settings - Windows](#)

Selecting Print Layout Options - Windows

You can select a variety of layout options for your document on the Layout tab.



- To select multiple copies and their print order, select the **Copies**, **Collate**, and **Reverse Order** options.
- To print multiple pages on one sheet of paper, or print one image on multiple sheets of paper, select the **Page Layout** checkbox and select the option you want.
- To rotate or flip the printed image, select the **Rotate 180°** or **Mirror Image** checkbox.

[Page Layout Options - Windows](#)

Parent topic: [Printing with Windows](#)

Page Layout Options - Windows

You can select these Page Layout options to set up your multi-page print job.

Note: Available options depend on the **Paper Source** setting.

Folded Double-Side

Prints two consecutive pages on one sheet of paper. The second page is flipped and printed next to the first page, allowing the sheet to be folded to make a 2-sided document. Click **Settings** to select a binding edge option and set margins.

N-up

Prints 2 (**2-up**) or 4 (**4-up**) pages on one sheet of paper. Click **Settings** to choose the number of pages per sheet and set the page order.

Note: The N-up option is not available when using borderless printing.

Poster

Prints one image on multiple sheets of paper to create a large poster. Click the **Settings** button to select the layout and guideline options.

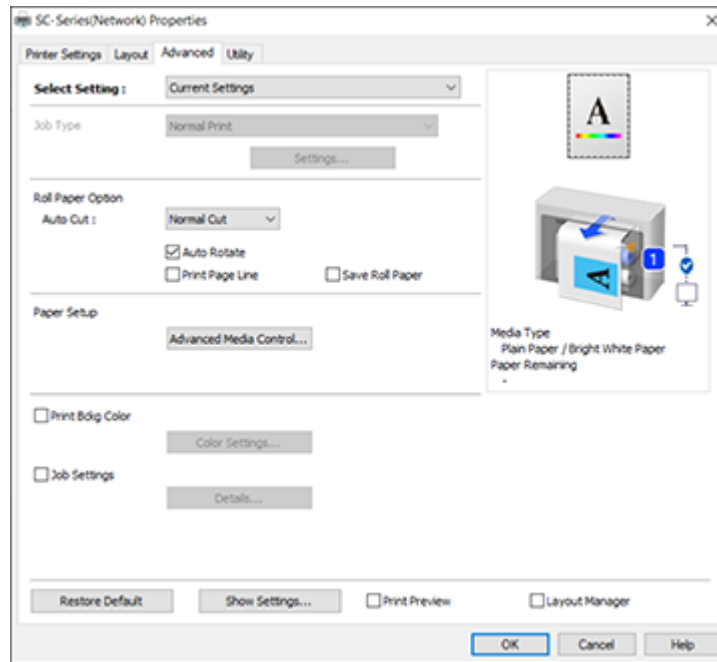
Print Banner

Select when using a Windows application designed for banners.

Parent topic: [Selecting Print Layout Options - Windows](#)

Selecting Advanced Settings - Windows

You can select advanced printing settings on the Advanced tab.



- To create or edit custom printing settings, select **Custom Settings**.
- To control how roll paper is cut after printing, select an **Auto Cut** option. Select other roll paper options as necessary.
- To adjust the ink saturation level, click **Advanced Media Control** and adjust the settings as necessary.
- To print a color background on the page, select the **Print Bckg Color** checkbox and click **Color Settings** to select the color you want to use.
- To print the time, date, and other information about your print job at the top or bottom of the page, select the **Job Settings** checkbox and click **Details** to select the settings you want to use.

[Roll Paper Options - Windows](#)

Parent topic: [Printing with Windows](#)

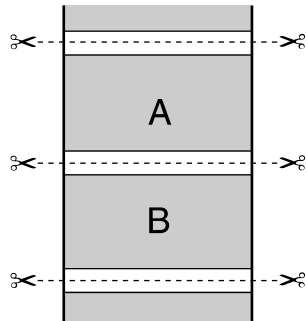
Roll Paper Options - Windows

Select any of the available roll paper options.

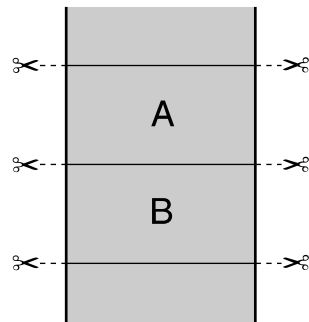
Note: Some settings may not be available, depending on the Roll Paper Option you selected for your paper size.

Auto Cut

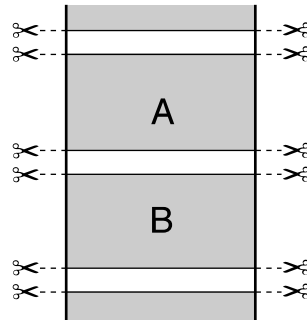
- **Off:** Select this option to cut your prints manually.
- **Normal Cut:** Creates a margin at the top and bottom of your image and automatically cuts the paper. These margins vary by media type and may be changed from their defaults using custom media settings.



- **Single Cut:** Prints images end-to-end with no gap between them. Borderless images may overlap slightly.



- **Double Cut:** Increases the space between each image and trims each print individually, providing the cleanest edge for borderless printing.



Auto Rotate

Automatically positions the image or print data to fit the roll paper.

Print Page Line

Prints lines between pages as a guide for manual cutting.

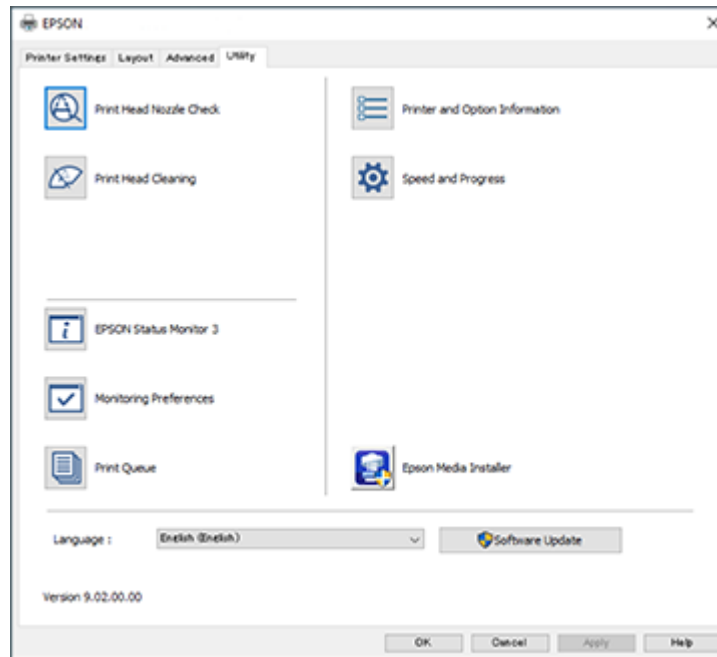
Save Roll Paper

When Auto Cut is enabled, the printer cuts the roll paper at the end of the image as positioned on the page.

Parent topic: [Selecting Advanced Settings - Windows](#)

Selecting Additional Settings - Windows

You can run maintenance utilities and select additional settings that apply to all your print jobs on the Utility tab.



- Click **Print Head Nozzle Check** to print a nozzle check pattern to check whether the print head nozzles are clogged.
- Click **Print Head Cleaning** to clean the print head if you notice banding or gaps in your printouts.
- Click **Epson Status Monitor 3** to check the printer's status.
- Click **Monitoring Preferences** to select the error notifications displayed on the Epson Status Monitor 3 screen, or add a shortcut to the utility in the Windows taskbar.
- Click **Print Queue** to display a list of all waiting print jobs, view information on the data waiting to be printed, and delete or reprint the jobs.
- Click **Printer and Option Information** to view and make settings for the printer and optional devices.
- Click **Speed and Progress** to select various printing options.

- Click **Epson Media Installer** if the media type you want to use is not displayed on the control panel or in the driver; you can add media information from the Internet.
- Select a **Language** option for the language you want to use for the printer software screens.

Parent topic: [Printing with Windows](#)

Related tasks

[Checking the Nozzles Using a Computer Utility](#)

[Cleaning the Print Head Using a Computer Utility](#)

Saving, Sharing, and Customizing the Printer Settings

You can save groups of print settings or media settings so you can reuse them for future print jobs. You can export these settings as a file so you can share them with other users. You can also edit the settings displayed in the printer software screens.

[Saving and Sharing Print Settings - Windows](#)

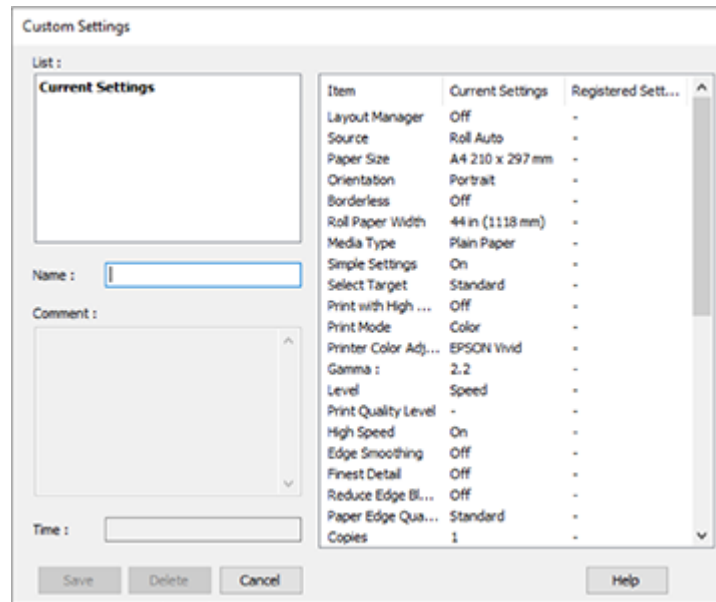
Parent topic: [Printing with Windows](#)

Saving and Sharing Print Settings - Windows

You can save your print settings so you can use them for future print jobs.

1. Make sure the selected settings on the Printer Settings, Layout, and Advanced tabs are set to what you want to save.
2. Under the Select Setting drop-down menu, select **Custom Settings**.

You see a window like this:



3. Verify that your settings are correct, enter a name for the group of settings in the **Name** field, and click **Save**.
4. Do the following as necessary:
 - If you need to delete a group of settings you have created, select the name of the group of settings from the list and click **Delete**.
 - To export the settings, select the name of the group of settings, click **Export**, select a location, and enter a file name.
 - To import a group of settings, click **Import**, select the file you want to use, and click **Open**. Then use the settings to print.

You can save up to 100 settings. Once custom settings are saved, you can select the name of the group of settings from the Select Setting drop-down menu and use them to print.

Parent topic: [Saving, Sharing, and Customizing the Printer Settings](#)

Related tasks

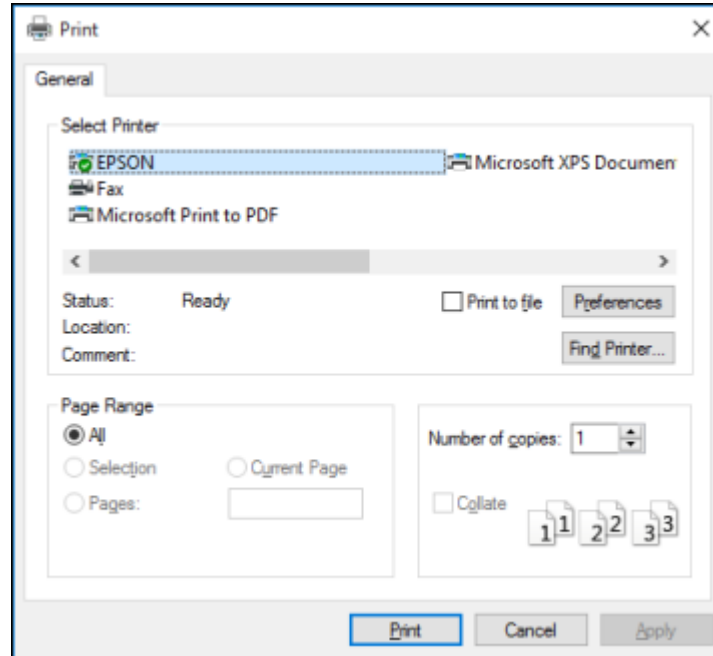
[Selecting Basic Print Settings - Windows](#)

Printing Your Document or Photo - Windows

Once you have selected your print settings, you are ready to save your settings and print.

1. Click **OK** to save your settings.

You see your application's Print window, such as this one:



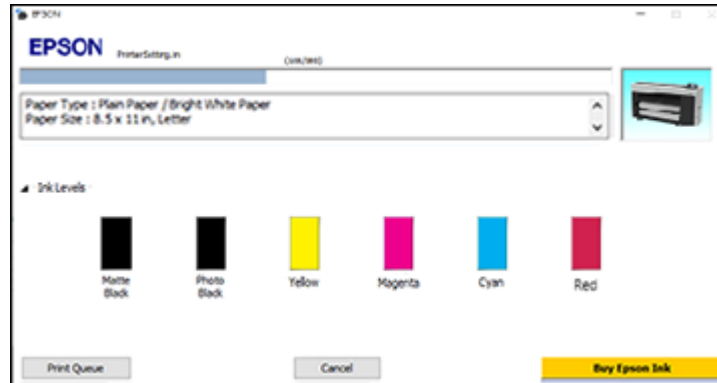
2. Click **OK** or **Print** to start printing.

[Checking Print Status - Windows](#)

Parent topic: [Printing with Windows](#)

Checking Print Status - Windows

During printing, you see this window showing the progress of your print job. It allows you to control printing and check ink cartridge status.





Note: Displayed ink colors may differ depending on printer model.

- To cancel printing, click **Cancel**.
- To see print jobs waiting to print, click **Print Queue**.
- To check ink status, click **Ink Levels**.

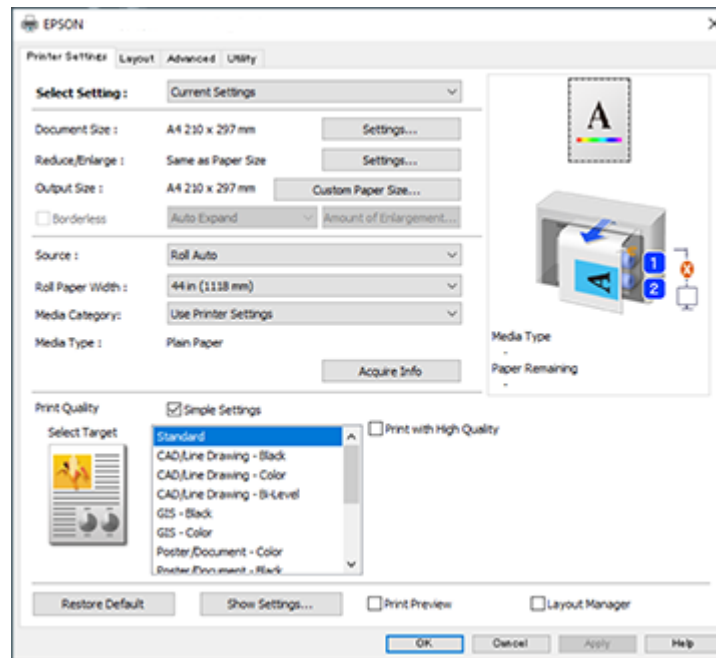
Parent topic: [Printing Your Document or Photo - Windows](#)

Selecting Default Print Settings - Windows

When you change your print settings in a program, the changes apply only while you are printing in that program session. If you want to change the print settings you use in all your Windows programs, you can select new default print settings.

1. Access the Windows Desktop and right-click the  icon for your product in the right side of the Windows taskbar, or click the up arrow and right-click .
2. Select **Printer Settings**.

You see the printer settings window:



Note: The screen may differ slightly depending on printer model.

3. Select the print settings you want to use as defaults in all your Windows programs.
4. Click **OK**.

These settings are now the defaults selected for printing. You can still change them as needed for printing in any program session.



Parent topic: [Printing with Windows](#)

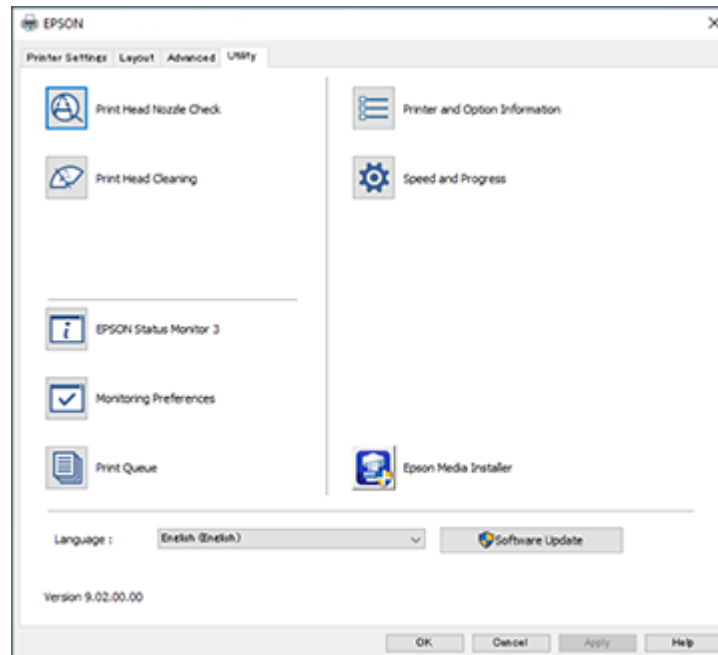
Related tasks

[Selecting Basic Print Settings - Windows](#)

Changing the Language of the Printer Software Screens

You can change the language used on the Windows printer software screens.

1. Access the Windows Desktop and right-click the  icon for your product in the right side of the Windows taskbar, or click the up arrow and right-click .
2. Select **Printer Settings**.
You see the printer settings window.
3. Click the **Utility** tab.
You see these options:





4. Select the language you want to use as the **Language** setting.
5. Click **OK** to close the printer software window.

The printer software screens appear in the language you selected the next time you access them.

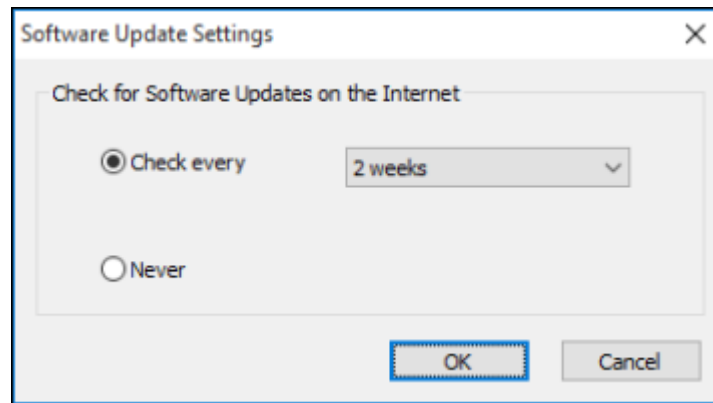
Parent topic: [Printing with Windows](#)

Changing Automatic Update Options

Your printer software for Windows automatically checks for updates to the product software. You can change how often the software checks for updates or disable this feature.

1. Access the Windows Desktop and right-click the  icon for your product in the right side of the Windows taskbar, or click the up arrow and right-click .
2. Select **Software Update Settings**.

You see this window:



3. Do one of the following:
 - To change how often the software checks for updates, select a setting in the **Check every** menu.
 - To disable the automatic update feature, select the **Never** option.
4. Click **OK** to exit.

Note: If you choose to disable the automatic update feature, you can check for updates manually.

Parent topic: [Printing with Windows](#)

Printing on a Mac

You can print with your product using any Mac printing program, as described in these sections.

Note: If you have an Internet connection, it is a good idea to check for updates to your product software on Epson's support website or using Epson Software Updater.

[Selecting Basic Print Settings - Mac](#)

[Selecting Print Layout Options - Mac](#)

[Selecting Advanced Settings - Mac](#)

[Selecting Roll Paper Settings - Mac](#)

[Selecting Paper Configuration Settings - Mac](#)

[Managing Color - Mac](#)

[Sizing Printed Images - Mac](#)

[Selecting Printing Preferences - Mac](#)

[Printing Your Document or Photo - Mac](#)

Parent topic: [Printing from a Computer](#)

Selecting Basic Print Settings - Mac

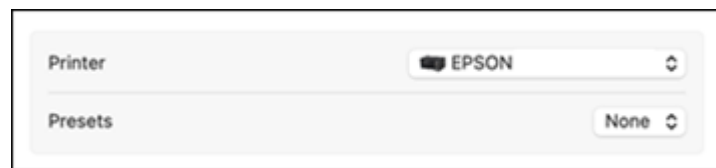
Select the basic settings for the document you want to print.

Note: Some screens may look different, depending on the Mac OS version you are using.

1. Open a document for printing.
2. Select the print command in your application.

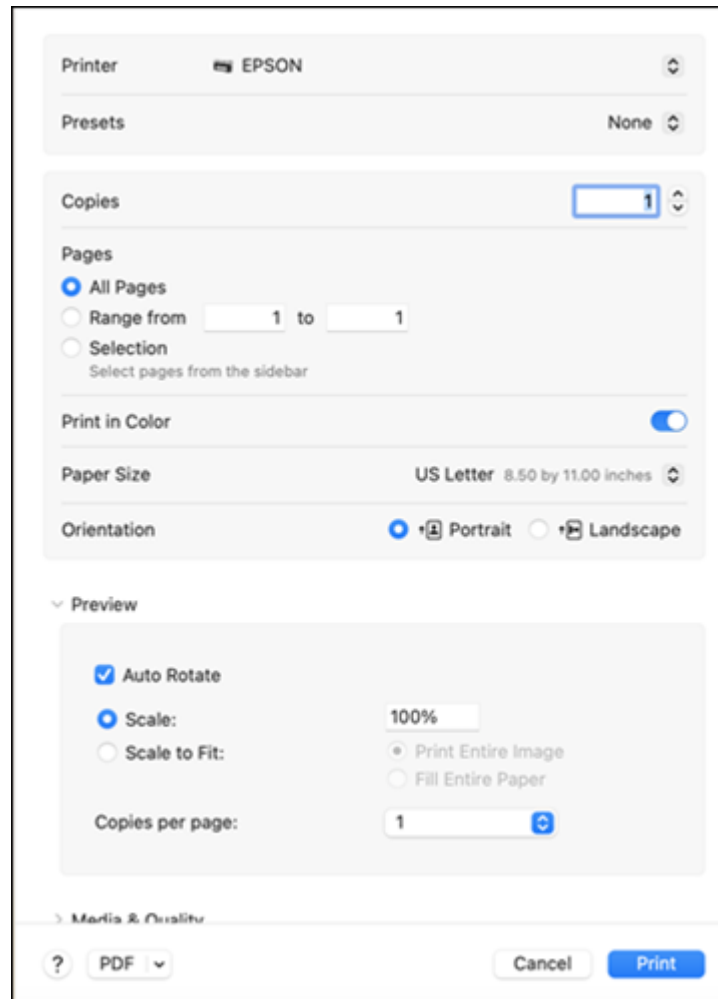
Note: You may need to select a print icon on your screen, the **Print** option in the File menu, or another command. See your application's help utility for details.

3. Select your product as the **Printer** setting.



4. If necessary, click the arrow next to the Printer setting or the **Show Details** button to expand the print window.

You see the expanded printer settings window for your product:



Note: The print window may look different, depending on the Mac OS version and the application you are using.

5. Select the **Copies** and **Pages** settings as necessary.

Note: If you do not see these settings in the print window, check for them in your application before printing. They may be accessible by selecting **Page Setup** from the File menu.

6. Select the page setup options: **Paper Size** and **Orientation**.

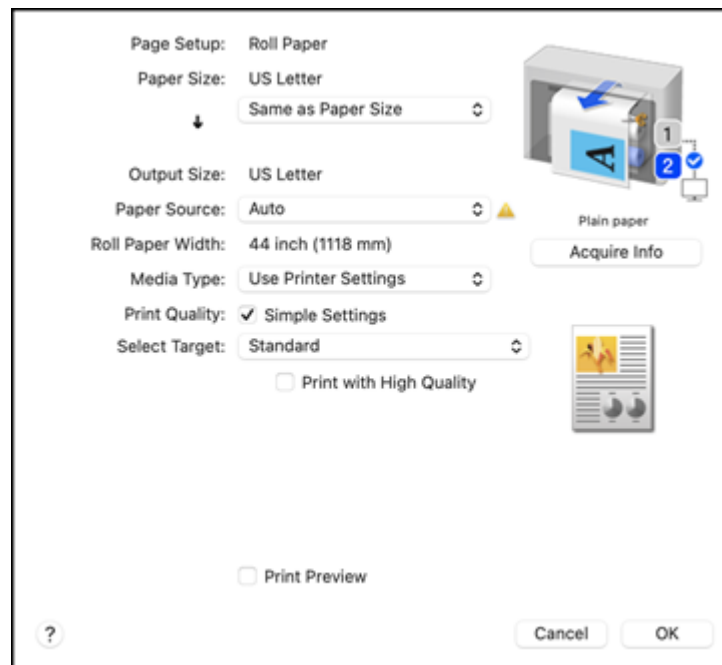
Note: If you do not see these settings in the print window, check for them in your application before printing. They may be accessible by selecting Page Setup from the File menu. Paper sizes may include additional options such as **Borderless**.

7. Select any application-specific settings that appear on the screen.

8. Do one of the following:

- macOS 13: Select the **Printer Options** menu and then select **Printer Settings**.
- macOS 12 and earlier: Select **Print Settings** or **Printer Features** from the pop-up menu.

You see a screen like this:



Note: The available print settings and appearance of the print window may be different than those covered here, depending on the Mac OS version and the application you are using.

9. If **Roll Switching** is set to **Auto** on the printer's control panel settings, the screen will show the settings for the roll paper currently in use. Change the paper, if desired.

Note: Click **Acquire Info** to refresh the settings if you loaded or changed paper after opening the print window.

10. If necessary, select the **Page Setup** setting that matches the paper source you are using.

Note: If you select **Roll Paper**, select the width of the roll as the **Roll Paper Width** setting.

11. If you want your printout to be a different size than the displayed Paper Size setting, select the **Output Size** setting in the dropdown menu.

Note: Select **Specify Size** to set a user-defined output size.

12. Select the **Paper Source** setting that matches the paper feeding method you are using.

Note: If you select **Roll Paper**, select the width of the roll as the **Roll Paper Width** setting.

13. Select the **Media Type** setting that matches the paper you loaded.

Note: If you want to use paper settings that have been set in the printer's control panel, select **Use Printer Settings**.

14. Select the **Select Target** setting that matches the document you are printing.

Note: If you want the printer driver to determine print settings based on the document type, select the **Simple Settings** checkbox. Deselect the checkbox if you want to select your own color correction, print mode, or other settings.

15. If you want to prioritize quality over print speed, select **Print with High Quality**.

16. If you deselect the **Simple Settings** checkbox, the following options are available:

- **Print Mode:** choose a printout color
- **Color Mode:** choose a color mode to fine-tune printout colors

- **Print Quality:** choose speed or quality as the printing priority
- **Paper Edge Quality:** select to prevent images on the edge of the paper from appearing faint or scuffed

Note: Selecting **Paper Edge Quality** may decrease the print speed.

- **High Speed:** select for Bi-Directional printing
- **Finest Detail:** select to sharpen edges on vector-based data including text, graphics, and line art

Note: Enabling **Finest Detail** may decrease the print speed.

Note: Available options depend on the selected **Select Target** setting.

17. To see a preview of how your document will print, select **Print Preview**. (The preview appears after you click **Print** but before printing starts.)

[Paper Size Options - Mac](#)

[Paper Source Options - Mac](#)

[Print Mode Options - Mac](#)

[Color Mode Options - Mac](#)

Parent topic: [Printing on a Mac](#)

Related tasks

[Printing Your Document or Photo - Mac](#)

[Selecting Advanced Settings - Mac](#)

Paper Size Options - Mac

You can select any of the Paper Size options in the Printer Settings menu to size your printed image.

Same as Paper Size

Sizes your printed image to fit the selected paper size.

Fit to Roll Paper Width

Sizes your printed image to fit the width of the roll paper you loaded.

Output Size

Sizes your printed image to fit the selected output size.

Specify Size

Sizes your printed image to a specified size.

Retain Scale

Retains the size of the original image.

Banner

Select when using an application designed for banners.

Note: If you want to select **Retain Scale** or **Banner**, but they are not available, check the Paper Size list and select a paper size that has **(Retain Scale)** or **(Roll Paper Banner)** included in the paper name. For example, to print a banner on A2-width paper, select **A2 (Roll Paper Banner)** as the **Paper Size** setting.

Parent topic: [Selecting Basic Print Settings - Mac](#)

Paper Source Options - Mac

You can select any of the available options in the Source menu to print on the paper loaded in that source.

Auto

Selects the appropriate roll for printing.

Roll 1/Roll

Selects roll paper loaded in Roll 1 (on dual roll models) or Roll (on single roll models).

Roll 2

Selects roll paper loaded in Roll 2 (not available on SureColor P6570E/T3770E).

Cut Sheet

Selects the cut sheet loaded in the paper feeder.

Poster Board

Selects the poster board loaded in the paper feeder.

Parent topic: [Selecting Basic Print Settings - Mac](#)

Print Mode Options - Mac

You can select a Print Mode option to determine the color of your printouts.

Color

Select to print your document in color.

Black

Select to print your document in black and white (grayscale is supported).

Black (Bi-Level)

Select to print CAD drawings in black and white (grayscale is not supported).

Colored Paper (Yellow)

Select to print on colored paper.

Parent topic: [Selecting Basic Print Settings - Mac](#)

Color Mode Options - Mac

You can adjust the **Color Mode** setting to fine-tune the colors in your printout or turn off color management in your printer software.

Note: Available color mode options vary with the operating system and the type of paper used.

EPSON Standard (sRGB)

Optimizes the output to mimic sRGB (best if sRGB is the source color space).

Adobe RGB

Optimizes the output to mimic Adobe RGB (best if sRGB is the source color space).

Business Graphics

Performs color correction to optimize your images based on the sRGB space (SureColor T-Series models only).

Line Drawing

Optimizes color correction for line drawings by processing the border between lines and the background as discontinuous.

ICM

Performs color management to match the colors in the image data to those in the printed output (Windows only).

Off (No Color Adjustment)

Turns off color management in your printer software so you can manage color using only your application software.

Note: An ICC profile is required if color management is turned off.

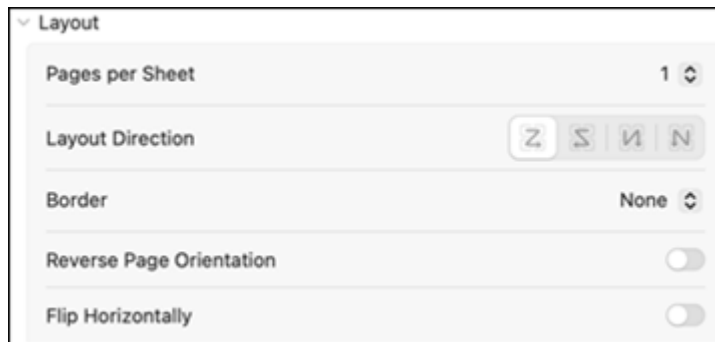
From the Printer Options menu, select **Color Controls** and specify values for adjusting brightness, contrast, saturation, and individual Cyan, Magenta, and Yellow color tones. You can choose from two Gamma settings, and use either a color circle or slide bar to adjust color.



Parent topic: [Selecting Basic Print Settings - Mac](#)

Selecting Print Layout Options - Mac

You can select a variety of layout options by selecting **Layout** on the print window.



- To print multiple pages on one sheet of paper, select the number of pages in the **Pages per Sheet** pop-up menu. To arrange the print order of the pages, select a **Layout Direction** setting.

- To print borders around each page on the sheet, select a line setting from the **Border** pop-up menu.
- To invert or flip the printed image, select the **Reverse page orientation** or **Flip horizontally** settings.

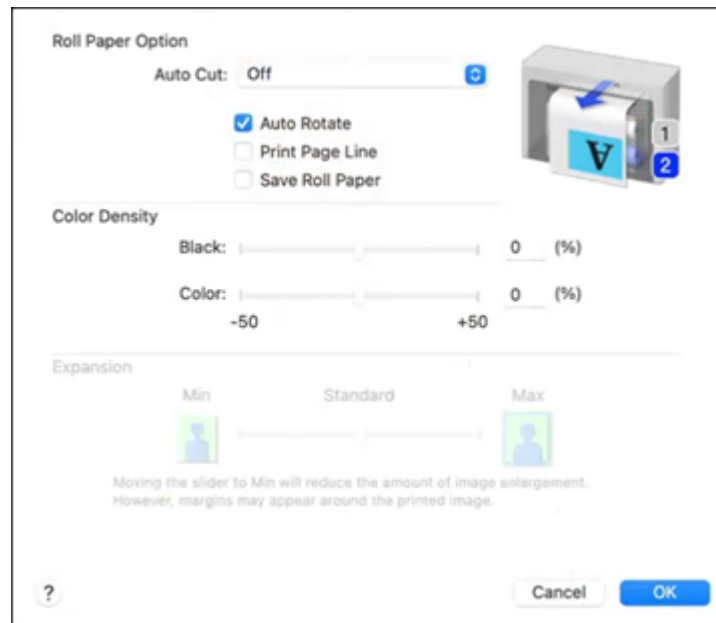
Parent topic: [Printing on a Mac](#)

Selecting Advanced Settings - Mac

You can select roll paper settings and adjust color density from the Advanced menu.

1. Select **Advanced** from the Printer Options drop-down menu.

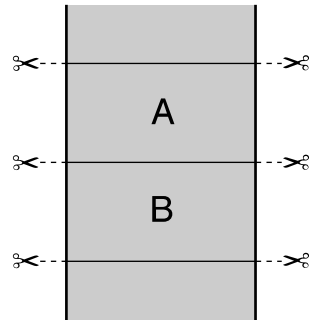
You see this window:



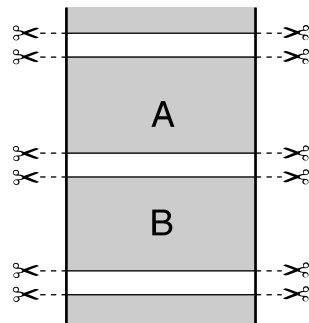
Note: Some settings may not be available, depending on the selected paper source and the Roll Paper option you selected for your paper size.

2. Select one of the following **Auto Cut** settings:
 - **Off:** Select this option to cut your prints manually.

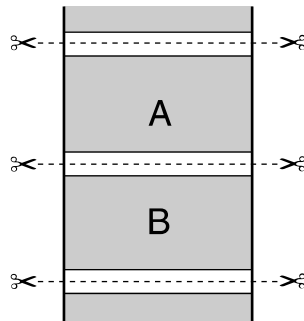
- **Single Cut:** Prints images end-to-end with no gap between them. Borderless images may overlap slightly.



- **Double Cut:** Increases the space between each image and trims each print individually, providing the cleanest edge for borderless printing.



- **Normal Cut:** Creates a margin at the top and bottom of your image and automatically cuts the paper. These margins vary by media type and may be changed from their defaults using custom media settings.



3. Select the following settings as necessary:
 - Select the **Auto Rotate** checkbox to automatically position the image or print data to fit the roll paper.
 - Select the **Print Page Line** checkbox to print lines between pages as a guide for manual cutting.
 - When **Auto Cut** is enabled, select the **Save Roll Paper** checkbox to have the printer cut the roll paper at the end of the image as positioned on the page.
4. If you want to adjust color density, adjust the **Black** and **Color** settings, and click **OK**.
5. Adjust the amount of image expansion when printing borderless images, if necessary.

Note: This option is available only when you choose a **Paper Size** setting with a **Borderless** option.

Parent topic: [Printing on a Mac](#)

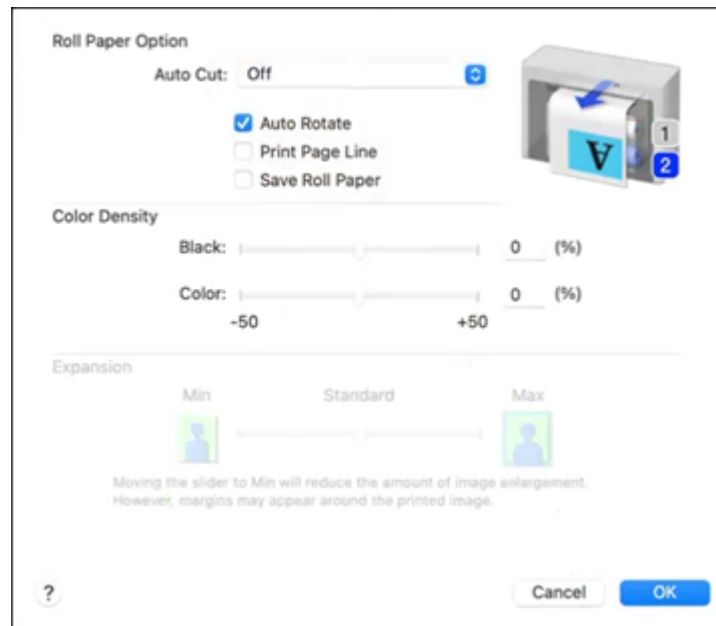
Selecting Roll Paper Settings - Mac

To print on roll paper, you select the roll paper size and roll paper options from the Printer Settings menu.

1. Select **Manage Custom Sizes** as the **Paper Size** setting.
2. Click **+**, double-click **Untitled**, and enter a name for your roll paper size.

3. Enter the width of the roll paper image as the **Width** setting.
4. Enter the length of your roll paper image as the **Height** setting.
5. Select your product from the **Margins** menu to automatically select the largest paper size for your product.
6. Click **OK**.
7. Select your new custom roll paper size as the **Paper Size** setting.
8. Select **Roll Paper Settings**.

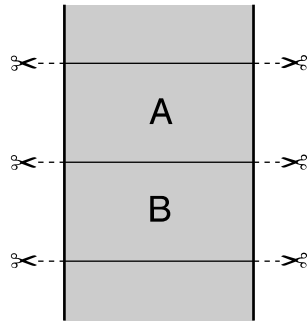
You see this window:



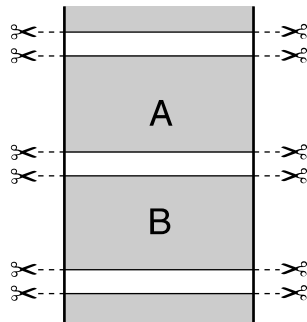
Note: Some settings may not be available, depending on the Roll Paper option you selected for your Paper Size.

9. Select one of the following **Auto Cut** settings:

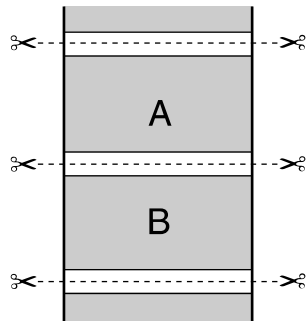
- **Off:** Select this option to cut your prints manually.
- **Single Cut:** Prints images end-to-end with no gap between them. Borderless images may overlap slightly.



- **Double Cut:** Increases the space between each image and trims each print individually, providing the cleanest edge for borderless printing.



- **Normal Cut:** Creates a margin and the top and bottom of your image.



10. Select the following settings as necessary:

- Select the **Auto Rotate** checkbox and select the roll paper width to fit the images to the paper size.
- Select the **Print Page Line** checkbox to print trim lines around images when you select a banner paper size.
- Click **Save Roll Paper** to minimize the amount of blank paper wasted when you print on banner paper.
- Adjust the **Color Density** as necessary.
- Adjust the amount of image expansion when printing borderless images.

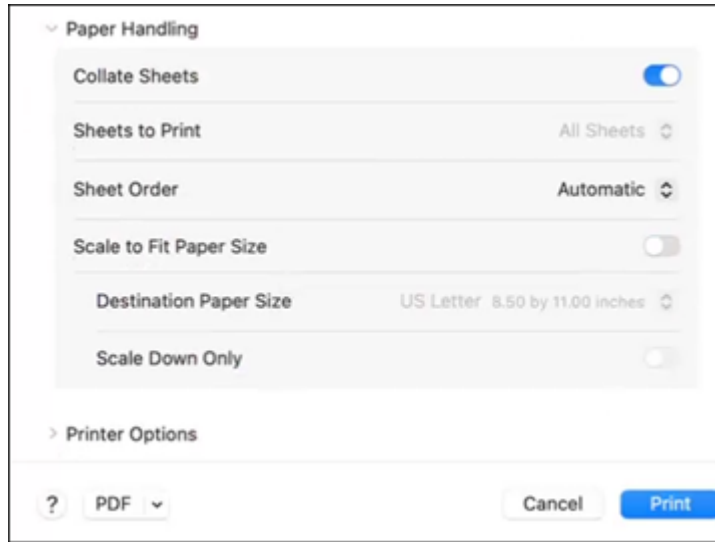
Note: This option is available only when you choose a Paper Size setting with a **Borderless** option.

11. Click **OK**, then click **Print**.

Parent topic: [Printing on a Mac](#)

Selecting Paper Configuration Settings - Mac

If you are using non-Epson media and need to fine-tune its print quality, select **Paper Handling** from the setup screen. Select the available options as necessary.



Parent topic: [Printing on a Mac](#)

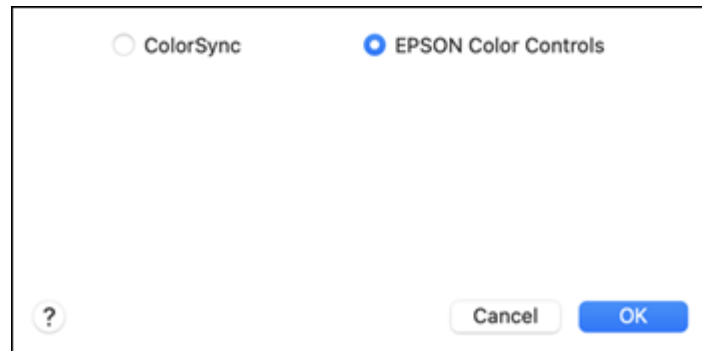
Managing Color - Mac

You can adjust the Color Matching settings to fine-tune the colors in your printout, or turn off color management in your printer software.

Note: The menus may look different, depending on the Mac OS version and the application you are using.

1. Do one of the following:
 - macOS 13: Select the **Color Matching** menu.
 - macOS12 or earlier: Select **Color Matching** from the pop-up menu in the print window.

You see a menu like this:



2. Select one of the available options.

[Color Matching Options - Mac](#)

Parent topic: [Printing on a Mac](#)

Color Matching Options - Mac

You can select from these settings on the **Color Matching** menu.

ColorSync

Prints using standard color profiles for your product and paper to help match image colors. You can customize the conversion method and filter settings on the ColorSync pop-up menu in the print window.

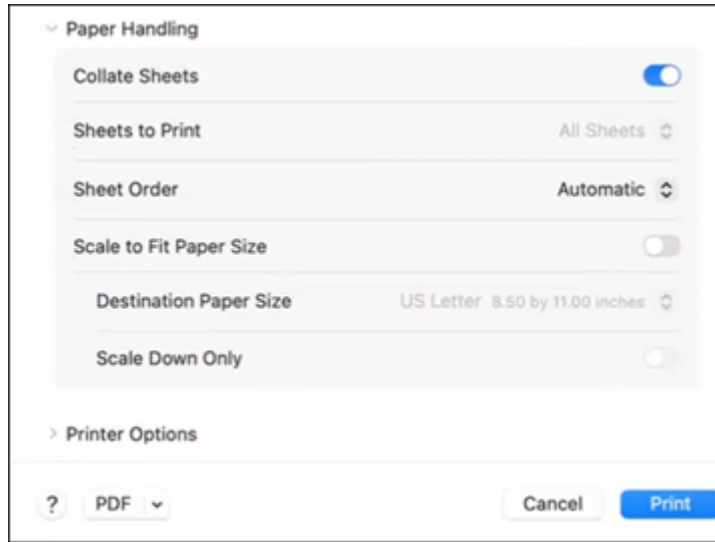
EPSON Color Controls

Lets you manage color using controls in your printer driver or turn off color management.

Parent topic: [Managing Color - Mac](#)

Sizing Printed Images - Mac

You can adjust the size of the image as you print it by selecting **Paper Handling** from the pop-up menu on the Print window.



- To collate multiple copies into sets of documents, move the **Collate Sheets** selector to the On position.
- To print only selected pages in a multi-page document, select an option from the **Sheets to Print** menu.
- To adjust the order in which pages are printed, select an option from the **Sheet Order** menu.
- To scale the image to fit on a specific paper size, move the **Scale to Fit Paper Size** selector to the On position and select a paper size from the **Destination Paper Size** menu.
- To restrict scaling of the image to reduced sizing, move the **Scale Down Only** selector to the On position. (Move the selector to the Off position when enlarging the image.)

Parent topic: [Printing on a Mac](#)

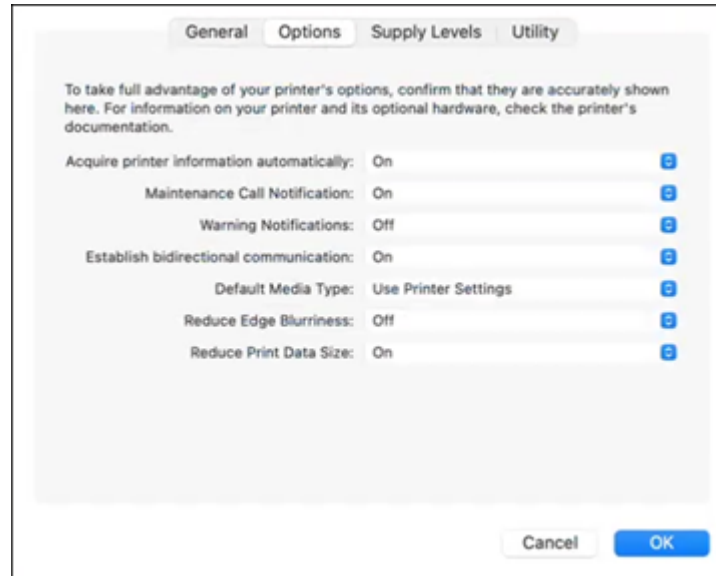
Selecting Printing Preferences - Mac

You can select printing preferences that apply to all the print jobs you send to your product.

1. In the Apple menu or the Dock, select **System Settings** or **System Preferences**.

2. Select **Print & Fax**, **Print & Scan**, or **Printers & Scanners**, select your product, and select **Options & Supplies**.
3. Select **Options**.

You see a screen like this:



4. Select any of the available printing options.
5. Click **OK**.

[Printing Preferences - Mac](#)

Parent topic: [Printing on a Mac](#)

Printing Preferences - Mac

You can select from these settings on the **Options** tab.

Acquire printer information automatically

Ensures that the paper size and paper type settings are automatically updated if paper is loaded or changed after closing the print window.

Maintenance Call Notification

Alerts you if the maintenance box is nearing capacity or needs to be replaced.

Warning Notifications

Lets you choose whether or not to receive warning notifications from the printer software for various operating conditions.

Establish bidirectional communication

Allows the product to communicate with the computer. Do not change the default setting unless you experience issues when using a shared printing pool.

Default Media Type

Select the Media Type that you want to use as the default in the printer driver.

Reduce Edge Blurriness

Reduces edge blurring in image outlines, text, and ruled lines.

Reduce Print Data Size

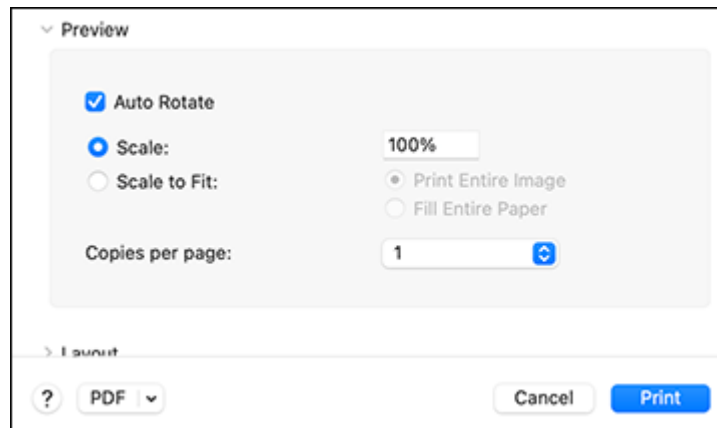
Increases print data compression to improve print speed. Not recommended when printing fine patterns.

Parent topic: [Selecting Printing Preferences - Mac](#)

Printing Your Document or Photo - Mac

Once you have selected your print settings, you are ready to print.

Click **Print** at the bottom of the print window.



[Checking Print Status - Mac](#)

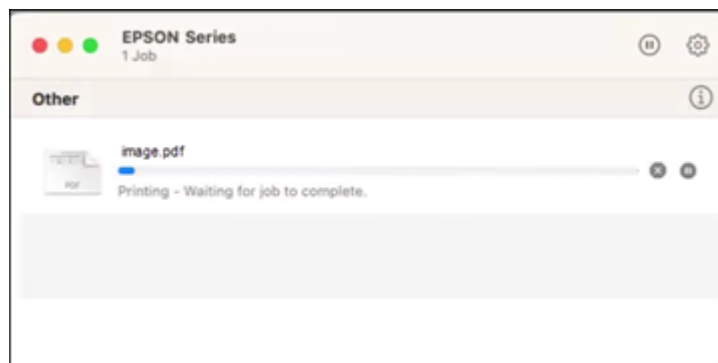
Parent topic: [Printing on a Mac](#)

Checking Print Status - Mac




During printing, you can view the progress of your print job, control printing, and check ink status.

1. Click the printer icon when it appears in the Dock.

You see the print status window:



2. Select the following options as necessary for your Mac OS version:

- To cancel printing, click the print job and click .
- To pause a print job, click the print job and click . To resume a print job, click the paused print job and click .

Parent topic: [Printing Your Document or Photo - Mac](#)

Printing CAD Drawings

Your product can print CAD drawings from CAD software applications. You can print them using the CAD/Line Drawing mode in the printer driver or change settings in the product to emulate HP-GL/2 or HP RTL modes. The product automatically switches between normal printing and HP-GL/2 or HP RTL emulation printing based on the print data it receives.

If mode switching does not execute correctly, set **General Settings > Printer Settings > Printing Language > Network** to **HP-GL/2**.

Note: Not all HP-GL/2 and HP RTL features are supported on the product.

Printing CAD Drawings from the Printer Driver
Printing CAD Drawings in HP-GL/2 or HP RTL Mode
Parent topic: [Printing from a Computer](#)

Printing CAD Drawings from the Printer Driver

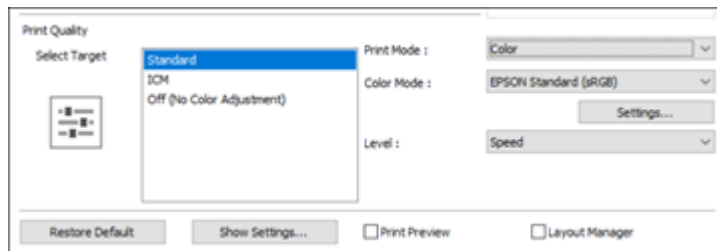
You can print CAD drawings using the CAD/Line Drawing mode in your printer driver. This printing method is best for high quality views and drawings.

Note: If lines in your drawing are not printed properly, print the drawing using HP-GL/2 or HP RTL mode using the product control panel.

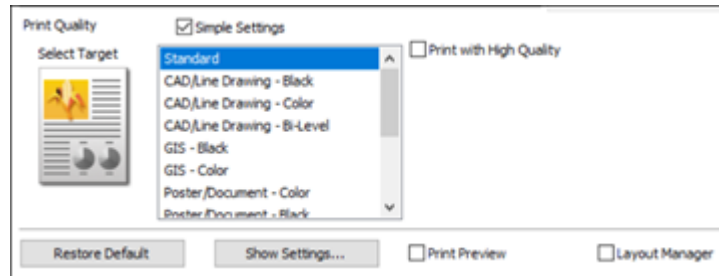
1. Open the file you want to print in your CAD software.
2. Click **Plot** and select your product as the printer.
3. Click **Properties**.
4. On the **Device and Document Settings** tab, click **Custom Properties**.
You see the printer driver window.
5. Select the **Document Size** and **Output Size** settings as necessary.
6. Select the **Source** setting.

Note: If you select a roll paper option, select the width of the roll as the **Roll Paper Width** setting.

7. Select the **Media Type** setting.
8. Do one of the following:
 - **SureColor P6570D/P6570DE/P6570E/P8570D/P8570DL:** For Print Quality, select **Select Target > Standard**. Select **Color**, **Black**, or **Black (Bi-Level)** as the Print Mode setting.



- **SureColor T3770D/T3770DE/T3770E/T5770D/T5770DM/T7770D/T7770DL/T7770DM:** For Print Quality, select **Select Target**, and then select **CAD/Line Drawing - Black**, **CAD/Line Drawing - Color**, or **CAD/Line Drawing - Bi-Level**.



Note: Available settings depend on the selected media type.

Note: For Mac users, display the Print screen and select **Printer Options > Printer Settings**. Then select **Line Drawing** for the Print Quality setting.

9. Select any other printing settings as necessary.
10. Click **OK**, then click **Print**.
11. Start printing your drawing from the CAD software.

Parent topic: [Printing CAD Drawings](#)

Printing CAD Drawings in HP-GL/2 or HP RTL Mode

You can change settings in your product's control panel to print CAD drawings using HP-GL/2 (compatible with the HP Designjet 750C) or HP RTL mode. This printing method is best for maps and blueprints, or when lines need to be emphasized.

Note: The product emulates HP-GL/2 or HP RTL commands, however, not all HP-GL/2 and HP RTL features are supported on the product. If you intend to use an untested application, we recommend that you test its output in advance. For a list of applications that have been pre-tested, visit Epson's support site.

1. On the LCD screen, select  > **General Settings > Printer Settings > Universal Print Settings**.

You see this screen:

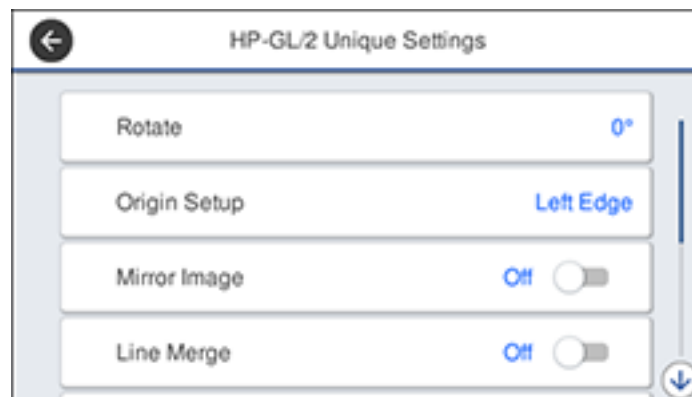


2. Make sure the **Paper Source** setting is set to **Roll Paper**.

Note: If roll paper is not selected when HP-GL2 or HP RTL print data is sent, an error occurs.

3. Select any other settings as necessary.
4. Select the left arrow to return to the previous screen.
5. Select **HP-GL/2 Unique Settings**.

You see this screen:



6. Change the settings as necessary.
7. Select the left arrow to return to the previous screen.
8. Select **Printing Language**.
 - If you are printing over USB, select **USB** and change the **Printing Language** setting to **HP-GL/2**.
 - If you are printing over a network, select **Network** and change the **Printing Language** setting to **HP-GL/2**.

Note: Make sure you return the **Printing Language** setting to **Auto** when you are done printing in HP-GL/2 mode.

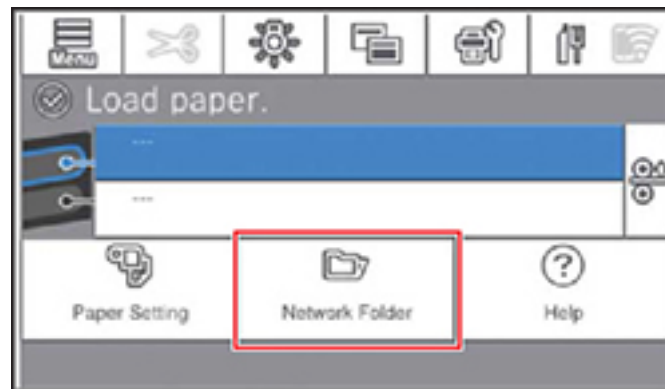
9. Open the file you want to print in your CAD software.
10. Click **Plot** and select your product as the printer.
11. Start printing your drawing from the CAD software.

Parent topic: [Printing CAD Drawings](#)

Printing from a Shared Folder

You can select and print a file from a shared network folder that has been setup in advance using the printer's screen or in Web Config.

1. On the LCD screen, select **Network Folder**.



The files in the shared folder appear.

2. Select a single file to print.
3. Select **B&W** or **Color**.
4. Choose one of the following:
 - If using advanced settings such as enlarging or reducing print size, go to the next step.
 - If printing at actual size without advanced settings, skip to step 6.
5. Select the **Advanced** tab and make the following settings as necessary:
 - Click **Reduce/Enlarge** to reduce or enlarge the image.
 - To automatically enlarge the image to fit the width of the roll paper or the size of the cut sheet paper loaded in the printer, set **Auto Fit Page** to **On**.
6. Change other settings, as necessary.
7. Select **Print**.
You can print the following file types from a shared folder:
 - JPEG
 - HP-GL/2
 - TIFF
 - PDF (models without the Adobe Embedded Print Engine (SureColor P6570DE/P6570E/T3770DE/T3770E) can only print data created using the scan function provided by Epson inkjet printers.)

Note: You need the SSD unit to print multiple copies. Install the SSD unit if necessary, and create a storage space. (The SSD unit is included with SureColor T5770DM/T7770DM and optional for all other models.)

Your file starts printing.

[Setting Up a Shared Folder from the Control Panel](#)

[Setting Up a Shared Folder Using Web Config](#)

Parent topic: [Printing from a Computer](#)

Setting Up a Shared Folder from the Control Panel

You must set up a shared network folder before printing from the folder. The folder must already exist on a networked computer accessible by the product.

1. On the LCD screen, select  > **General Settings** > **Network Settings** > **Advanced** > **Shared Folder**.

You see this screen:



2. Enter the following information about the shared folder:
 - **Folder Name:** Enter the network path to the shared folder. You are limited to 255 characters.
 - **User Name:** Enter a user name for the computer.
 - **Password:** Enter the password for the computer.
3. Select **Proceed** to set up the shared folder.

Parent topic: [Printing from a Shared Folder](#)

Setting Up a Shared Folder Using Web Config

You can set up a shared network folder using Web Config. The folder must already exist on a networked computer accessible by the product.

1. Access the Web Config interface via a web browser.
2. Select **Basic** on the **Print** tab.

Note: If the Print tab is not present, check with your system administrator.

You see this screen:



3. Enter the following information about the shared folder:
 - **Print from Folder:** Select **Enable**.
 - **Folder Name:** Enter the network path to the shared folder. You are limited to 255 characters.
 - **User Name:** Enter a user name for the computer.
 - **Password:** Enter the password for the computer.
4. Click **OK** to set up the shared folder.

Parent topic: [Printing from a Shared Folder](#)

Printing from a Web Browser

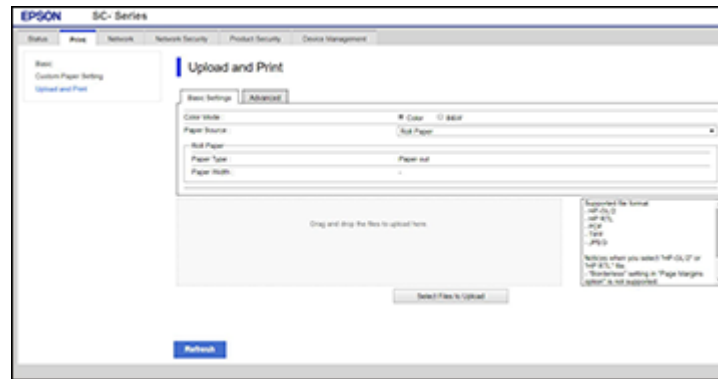
You can upload and print files directly from the Web Config interface. This allows you to print from a computer without the printer driver for the product.

Note: Not all HP-GL/2 and HP RTL features are supported on the product.

1. Make sure paper is loaded into the product.
2. Access the Web Config interface via a web browser.
3. Select **Upload and Print** on the **Print** tab.

Note: If the Print tab is not present, check with your system administrator.

You see this screen:



4. Select your print settings from the Basic Settings and Advanced tabs.

Note: As soon as you select a file to print, printing will begin. Make sure you select all necessary settings before selecting a file.

Note: You need the SSD unit to print multiple copies. Install the SSD unit if necessary, and create a storage space. (The SSD unit is included with SureColor T5770DM/T7770DM and optional for all other models.)

5. After you are done selecting print settings, drag and drop your file onto the appropriate area to start printing, or click **Select Files to Upload** and browse to the files you want to print.

You can print the following file types from the Web Config interface:

- JPEG
- HP-GL/2
- TIFF
- PDF

Parent topic: [Printing from a Computer](#)

Switching the Roll Paper for Printing

You can automatically switch to the appropriate roll paper for a print job, as described in these sections (not available on SureColor P6570E/T3770E).

[Switching Rolls According to Paper Type](#)

[Switching Rolls According to Page Size](#)


[Switching Rolls when Paper Runs Out](#)

Parent topic: [Printing from a Computer](#)

Switching Rolls According to Paper Type

If you frequently use different paper types for different purposes, such as printing drawings for review on plain paper and printing drawings for submission on colored paper, you can set the printer to automatically switch to the roll that has the same paper type as the print job.

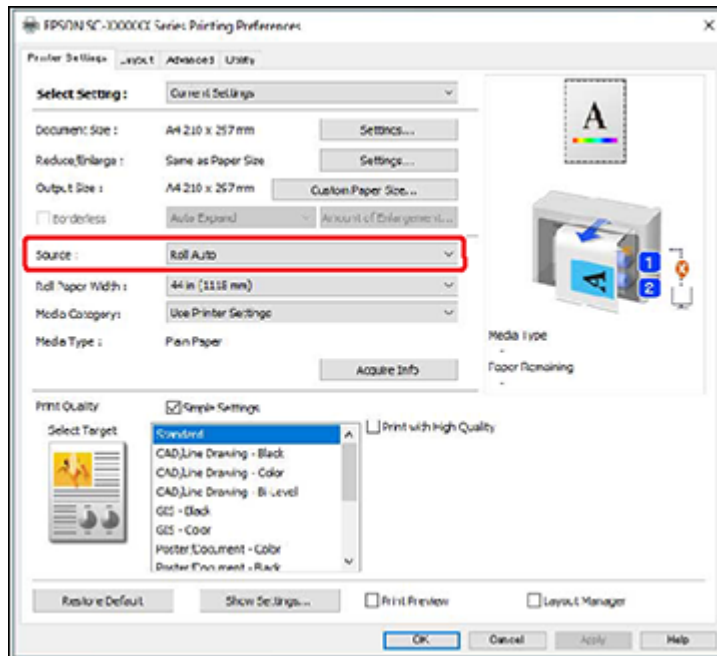
Note: The appearance of the print window may differ slightly from those shown here, depending on the Windows or Mac version you are using.

1. Load different types of paper with the same paper width into Roll 1 and Roll 2.
2. Select  > **General Settings** > **Printer Settings** > **Paper Source Settings** > **Roll Paper Setup** > **Roll Switching** > **Auto** > **Paper Type** from the printer's control panel.
3. Select **Type Match**.

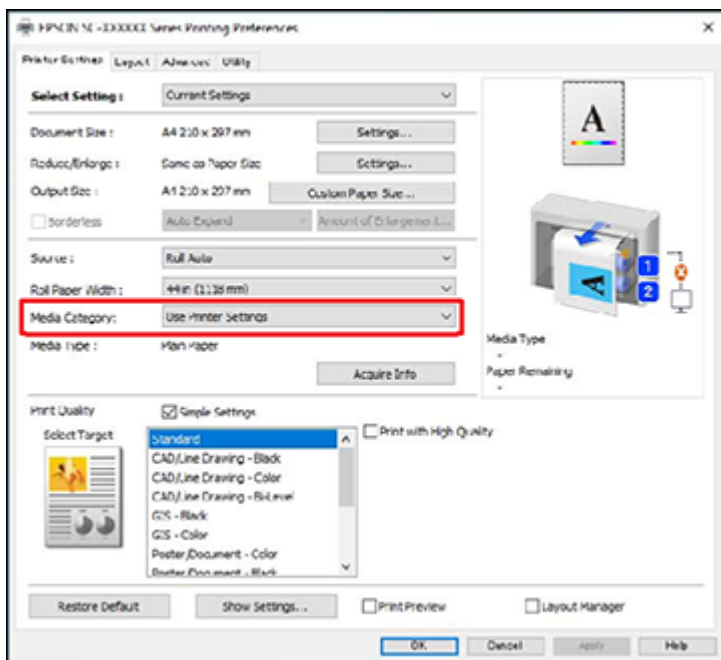
Note: Select **Disable** to print even if the paper loaded in the printer and the paper type selected in the driver are different.

4. Choose from the following:

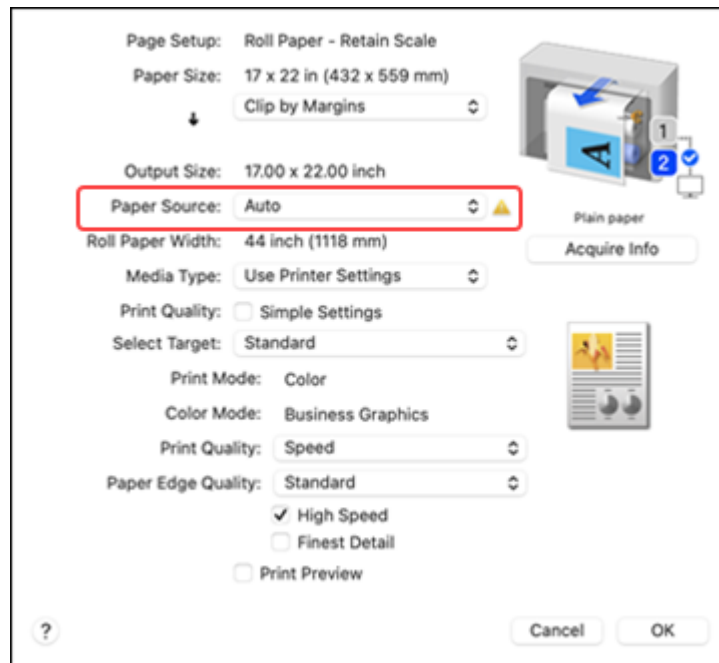
- **Windows:** Display the printer driver's **Printer Settings** screen, and then select **Roll Auto** as the **Source** setting.



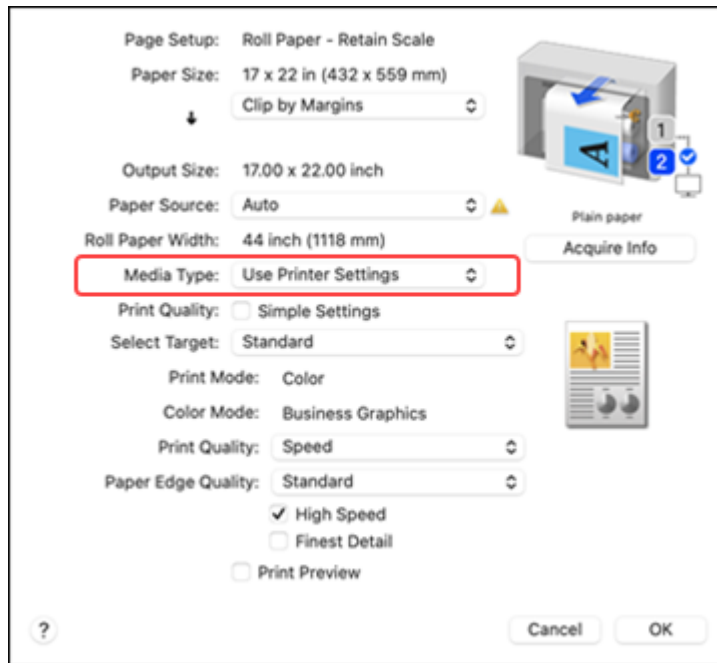
Select the paper type you want to print on in **Media Category > Paper Type**.



- **Mac:** Display the Print screen on your computer and make sure roll paper is selected as the **Paper Size**. Select **Printer Options> Printer Settings**, and then select **Auto** as the **Paper Source** setting.



Select the paper type you want to print on in **Media Type**.



5. Select other settings as necessary, then print.

The printer will automatically switch to the roll that has the same paper type as the print job.

Parent topic: [Switching the Roll Paper for Printing](#)

Related tasks

[Loading Roll 1/Roll Paper](#)

[Loading Roll 2 \(Dual Roll Models Only\)](#)


[Printing Your Document or Photo - Windows](#)

[Printing Your Document or Photo - Mac](#)

Switching Rolls According to Page Size

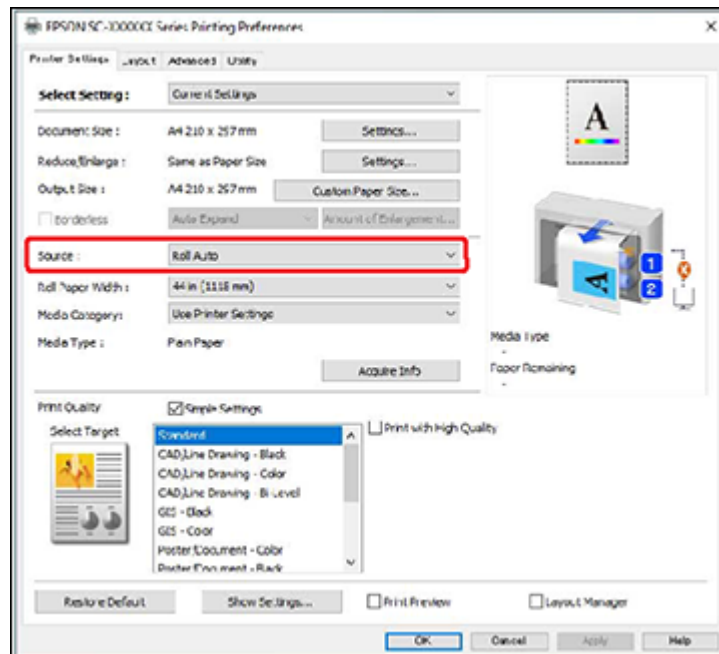
If you frequently print drawings of various sizes, you can set the printer to automatically switch the roll paper according to the page size of the print job.

Note: The appearance of the print window may differ slightly from those shown here, depending on the Windows or Mac version you are using.

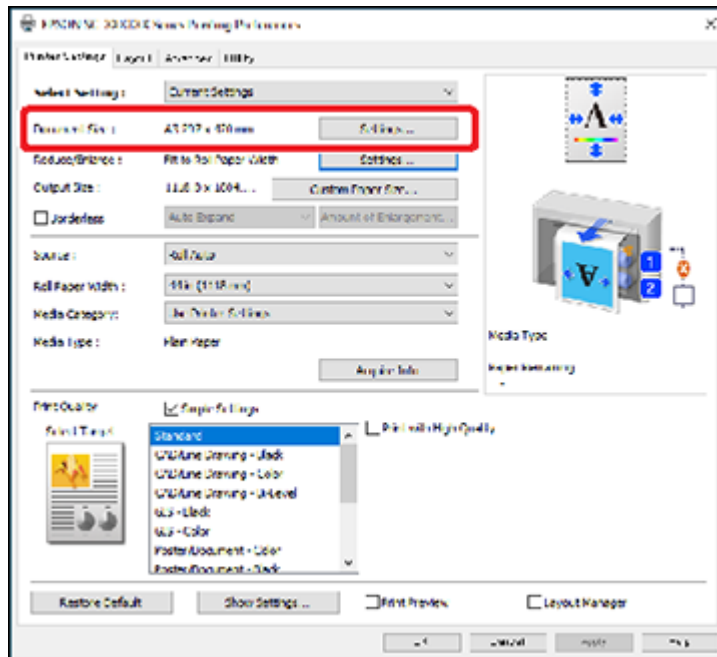
1. Load paper of the same type and different size into Roll 1 and Roll 2.
2. Select  > **General Settings** > **Printer Settings** > **Paper Source Settings** > **Roll Paper Setup** > **Roll Switching** > **Auto** > **Paper Width** from the printer's control panel.
3. Choose from the following:
 - Select **Optimize Margins** to print on the roll paper with smaller margins.
 - Select **Width Match** to print on the roll paper with the same paper width as the print job.

Note: Select **Disable** to print regardless of the paper width.

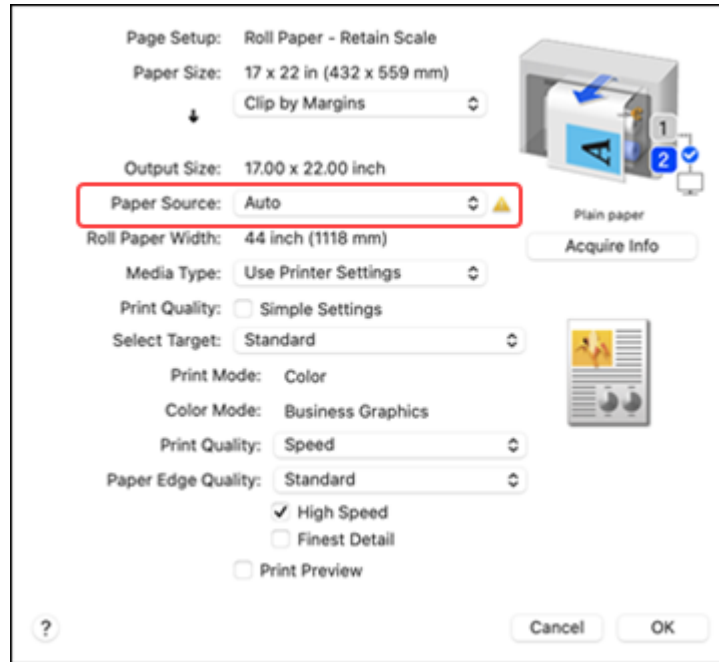
4. Choose from the following:
 - **Windows:** Display the printer driver's **Printer Settings** screen, and then select **Roll Auto** as the **Source** setting.



Select **Document Size > Settings > Page Size** and set the paper size set in the software.



- **Mac:** Display the Print screen on your computer, make sure roll paper is selected as the **Paper Size**, and then select **Auto** as the **Paper Source** setting.



5. Select other settings as necessary, then print.

The printer will automatically switch to the roll that has the same paper size as the print job.

Parent topic: [Switching the Roll Paper for Printing](#)

Related tasks

[Loading Roll 1/Roll Paper](#)

[Loading Roll 2 \(Dual Roll Models Only\)](#)


[Printing Your Document or Photo - Windows](#)

[Printing Your Document or Photo - Mac](#)

Switching Rolls when Paper Runs Out

When the same type of paper is loaded in Roll 1 and Roll 2, you can prioritize the roll paper with the least amount of paper remaining, and automatically switch to the second roll when the paper runs out to continue printing without interruption.

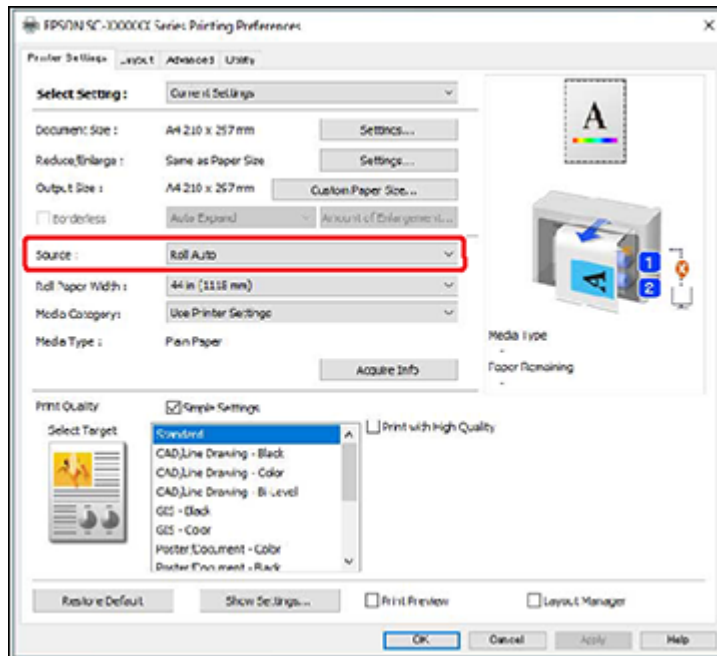
Note: The appearance of the print window may differ slightly from those shown here, depending on the Windows or Mac version you are using.

1. Load paper of the same type and width into Roll 1 and Roll 2.
2. Select  > **General Settings** > **Printer Settings** > **Paper Source Settings** > **Roll Paper Setup** > **Roll Switching** > **Auto** > **Paper Length** from the printer's control panel.
3. Select **Remaining Amount Priority**.

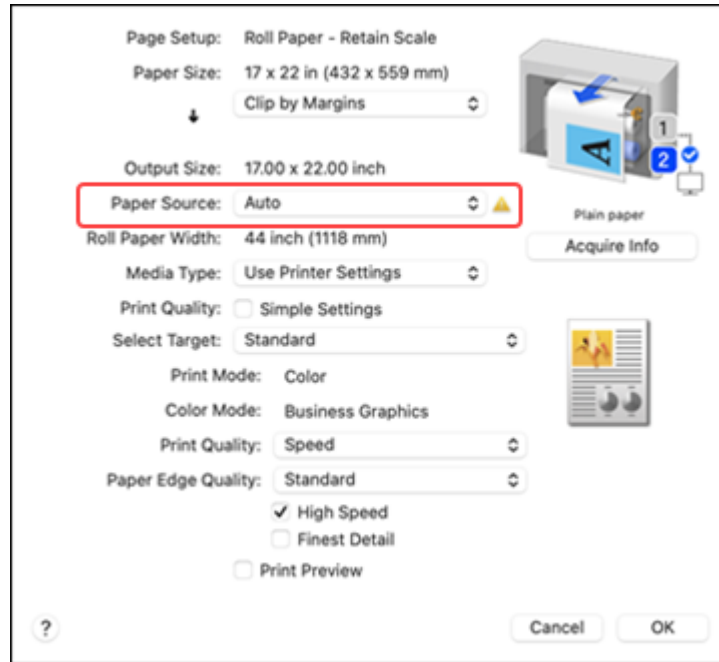
Note: To prevent the roll paper from being switched during printing, select **Data Length Priority**, and select the remaining roll paper management settings before printing. Select **Disable** to print regardless of the amount of paper remaining.

4. Choose from the following:

- **Windows:** Display the printer driver's **Printer Settings** screen, and then select **Roll Auto** as the **Source** setting.



- **Mac:** Display the Print screen on your computer, make sure roll paper is selected as the **Paper Size**, and then select **Auto** as the **Paper Source** setting.



5. Select other settings as necessary, then print.

Printing starts from the roll with the least amount of paper remaining. When the paper runs out, the printer automatically switches the roll paper to continue printing.

Parent topic: [Switching the Roll Paper for Printing](#)

Related tasks

[Loading Roll 1/Roll Paper](#)

[Loading Roll 2 \(Dual Roll Models Only\)](#)

[Printing Your Document or Photo - Windows](#)

[Printing Your Document or Photo - Mac](#)

Using the Integrated Scanner (SureColor T5770DM/T7770DM)

You can use the integrated scanner on your product to scan and copy originals.

[Supported Document Sizes and Types](#)

[Loading Originals](#)

[Using a Carrier Sheet](#)

[Copying Documents or Photos](#)

[Creating Scanning Contacts](#)

[Scanning to a Network Folder or FTP Server](#)

[Scanning to Email](#)

[Scanning to a Memory Device](#)

[Scanning to a Computer](#)

[Scanning to the SSD Unit](#)

Supported Document Sizes and Types

You can load the following document types and sizes into the integrated scanner:

Supported Document Sizes

Width: 5.8 to 36 inches (148 to 914 mm)

Length: 5.8 to 120 inches (148 to 30480 mm)

Paper thickness: 0.002 to 0.03 inches (0.06 mm to 0.8 mm)

Note: When scanning at 600 dpi or copying at Fine or Super Fine quality, the maximum length is 108.1 inches (2747 mm).

Supported Document Types

- Plain paper
- Recycled paper
- Coated paper
- Tracing paper*
- Film

- Blueprints
- Actual printing stock
- Carrier sheet

* When tracing paper is loaded, the product cannot automatically detect the width of the paper. Make sure you set the **Original Size** setting on the **Copy** menu or the **Scan Size** setting on the **Scan** menu to the size of your original.

Caution: Do not load the following types of originals directly in the scanner, or they may cause paper jams or damage the scanner:

- Originals that are bound
- Originals that are bent
- Originals with carbon backing
- Originals with staples, paper clips, or glue
- Originals with many holes (such as loose-leaf paper)
- Irregularly shaped originals or originals that are not cut at right angles
- Originals with attached photos, stickers, or labels
- Transparent originals
- Glossy originals
- Torn or deteriorated originals

Parent topic: [Using the Integrated Scanner \(SureColor T5770DM/T7770DM\)](#)

Loading Originals

You can load an original that meets the document specifications in the input slot.

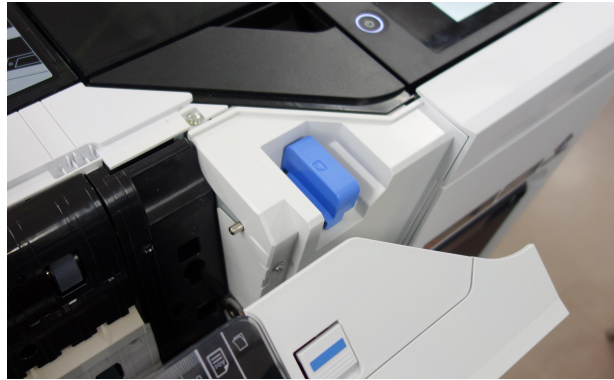
Caution: Do not load photos, valuable original documents, or artwork directly into the product. This may wrinkle or damage the original.

Note: If the original is curled or creased, straighten or smooth the irregularity before loading the document into the product. If there is any dust or dirt on the original, make sure to remove it before loading the document into the product. Otherwise, the quality of the scanned image may decrease. If the original is longer than 39 inches (1 meter), support the document with your hand during scanning.

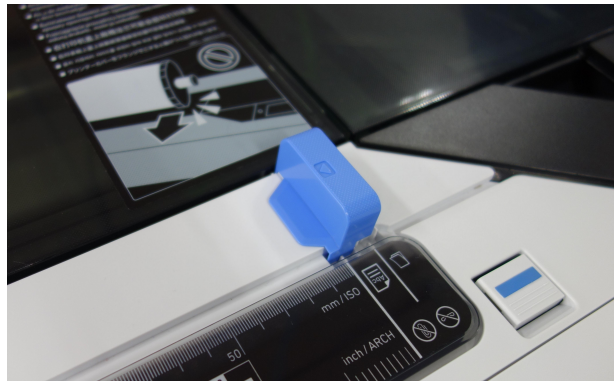
1. Make sure the scanner edge guide is installed on the scanner.

Note: If you are using a carrier sheet, store the scanner edge guide as shown.

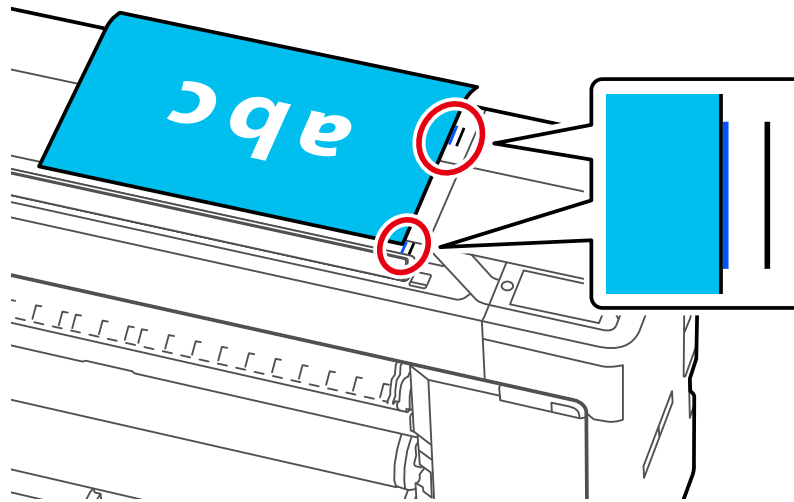
Stored position



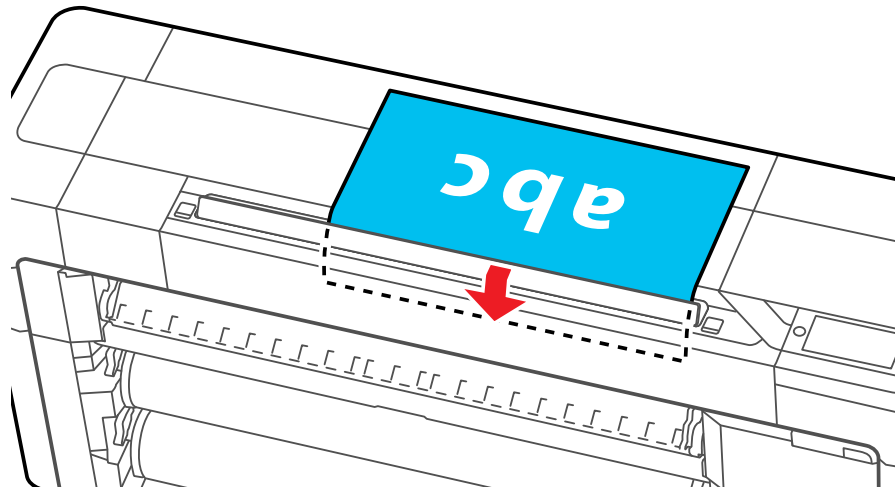
Installed position



2. With the side to be scanned facing up, align the right edge of the original with the scanner edge guide.



3. Support the original with both hands and insert the top edge into the scanner slot until it is automatically moved to the scanning position. You will hear a beep when loading is complete.



Note: When the automatic loading process begins, let go of the original and do not resist the loading process.

The original is loaded and ready to be scanned.

If necessary, attach the paper basket to prevent the original from falling.

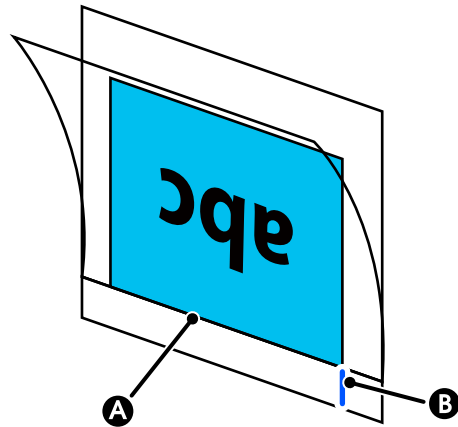
Parent topic: [Using the Integrated Scanner \(SureColor T5770DM/T7770DM\)](#)

Using a Carrier Sheet

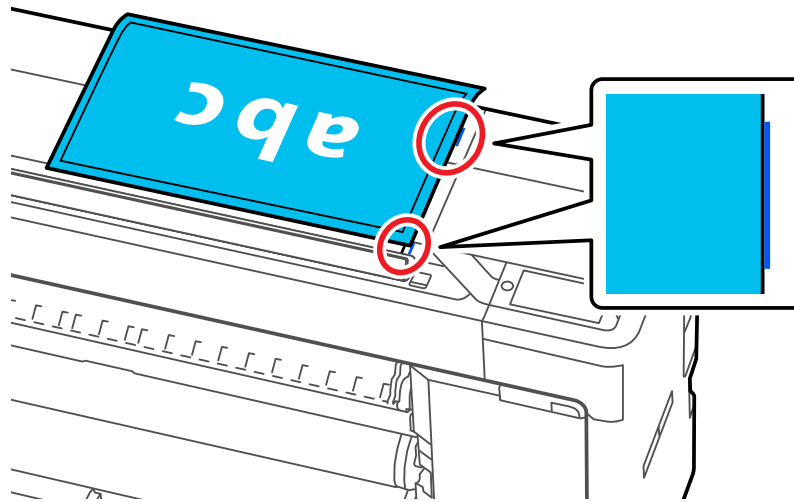
You can load thin or fragile originals in the scanner using a carrier sheet (not included). Make sure the original meets the loading specifications before scanning it.

Note: If you are using a carrier sheet, the product cannot automatically detect the width of the original. If you are copying the original, set the **Original Size** setting to the size of your original. If you are scanning the original, set the **Scan Size** setting to the size of your original or the **Top Offset** setting to 0.75 inches (19 mm).

1. Insert the original into the carrier sheet with the printed side facing the transparent sheet. Align the top edge of the original with the top of the carrier sheet (A) and align the side of the original with the alignment mark (B).



2. Insert the carrier sheet against the right side of the scanner slot.



When you are done scanning, remove the original.

Notes on Using the Carrier Sheet

When scanning using a carrier sheet, the paper color (background color) of the document may be visible in the scan results, or wrinkle shadows may appear. To address these concerns, you can try making adjustments in the **Remove Background** setting according to the scanning method used.


- **When copying:** Select **Copy > Advanced > Image Quality > Remove Background > Auto > Off**, and adjust the value between -4 to 4.
- **When scanning and saving to an email or folder:** Select **Scan**, and then select **Email** or **Network Folder/FTP** depending on the target location. Select **Scan Settings > Image Quality > Remove Background > Auto > Off**, and adjust the value between -4 to 4.
- **When saving scanned data to an external memory device:** Select **Scan > To Memory Device > Advanced > Image Quality > Remove Background > Auto > Off**, and adjust the value between -4 to 4.

Parent topic: [Using the Integrated Scanner \(SureColor T5770DM/T7770DM\)](#)

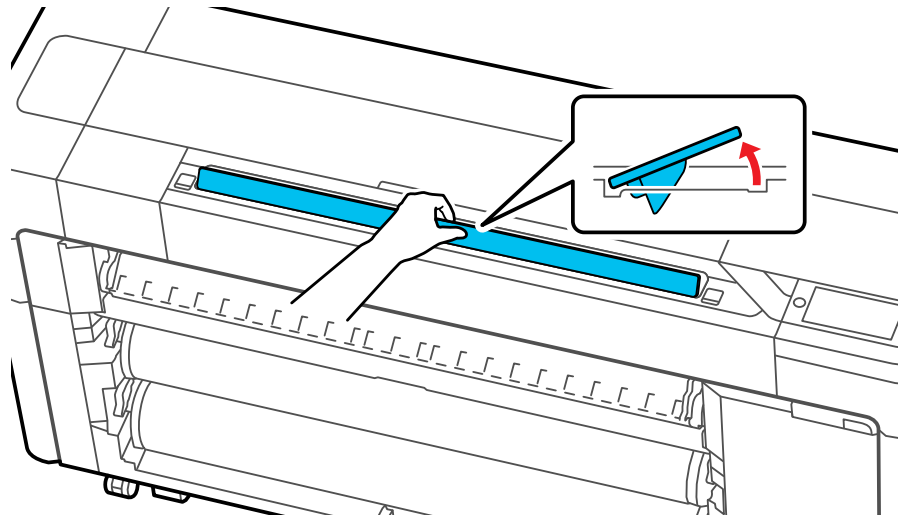
Copying Documents or Photos

You can copy documents or photos onto various sizes and types of paper, including Epson special papers.

Note: Do not press down on the scanner cover or place anything on top of it while copying. Otherwise, the copy results may be distorted or the original may get jammed.

1. Load the paper you want to print on in the product.
2. Press the  home button, if necessary.
3. Select **Copy**.

The scanner slot opens automatically. If it does not open, use your hand to open it manually.

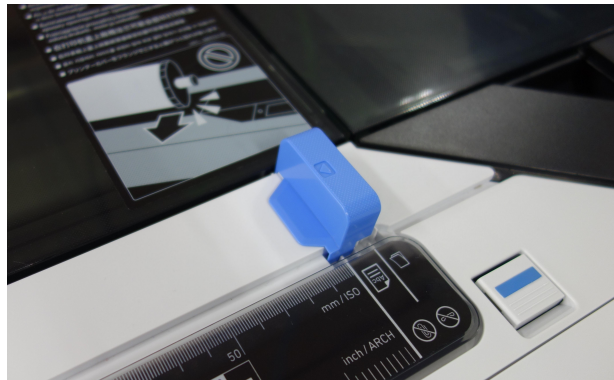


Note: Store the scanner edge guide when you open the scanner cover. If the document does not feed straight, install the scanner edge guide.

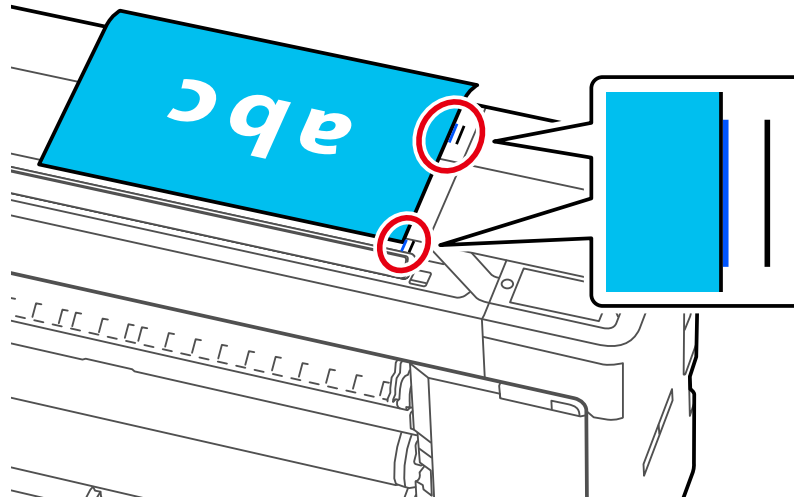
Stored position



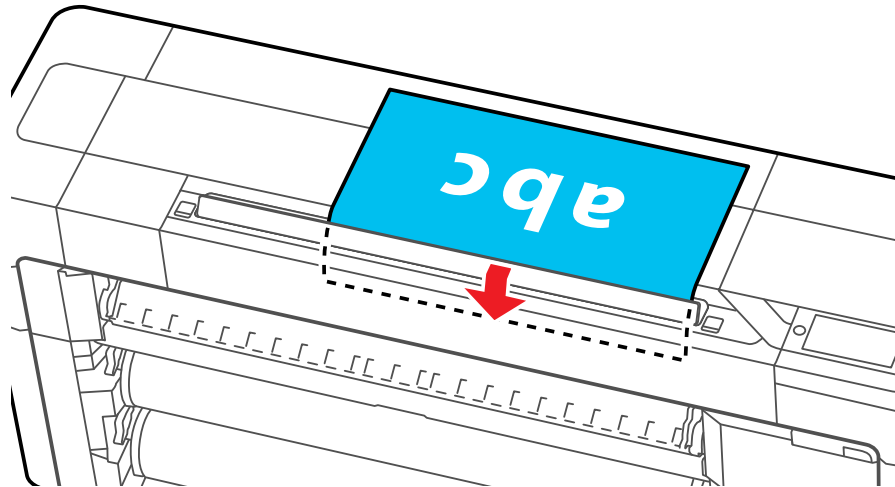
Installed position



4. With the side to be scanned facing up, align the right edge of the original as shown.



5. Support the original with both hands and insert the top edge into the scanner slot until it is automatically moved to the scanning position. You will hear a beep when loading is complete.



Note: When the automatic loading process begins, let go of the original and do not resist the loading process.

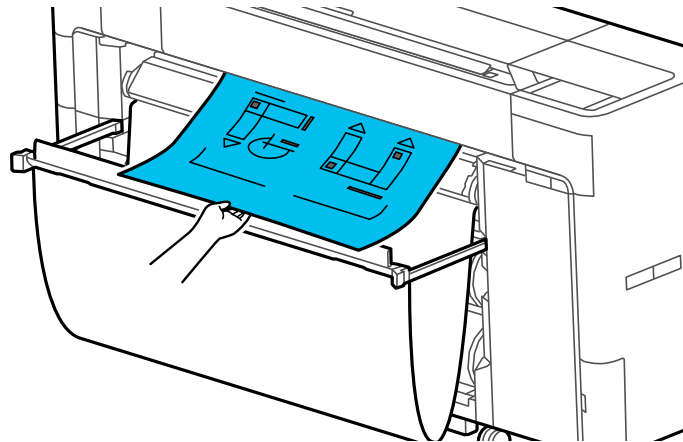
6. Select the basic and advanced copy settings as necessary.

Note: If you are using the optional carrier sheet, make sure you set the **Original Size** setting to the size of your original and set the **Top Offset** setting to 0.75 inch (19 mm).

7. To print more than one copy, select the number (up to 99).
8. When you are ready to copy, select **Copy**.

Note: Do not press down on the scanner cover or place anything on top of it while copying. Otherwise, the copy results may be distorted or the original may get jammed.

9. When scanning is complete, press the **OK** button on the LCD screen, and remove the original.



Printing starts when the original has been completely removed from the printer.

[Copy Settings](#)

Parent topic: [Using the Integrated Scanner \(SureColor T5770DM/T7770DM\)](#)

Copy Settings

Basic Settings

Setting	Options	Description
Copies	1 to 99	Specifies the number of copies to print
Color Mode	Black/White Color	Select the color mode to use when printing
Print Quality	Draft Speed Fine High Quality Max Quality	Adjusts the print quality of your copies; selecting High provides Standard higher quality printing, but the printing speed may be slower.
Density	-4 to 4	Adjust the lightness or darkness of copies. Positive values increase the density.
Paper Source	Roll(Auto) Roll 1 Roll 2 Cut Sheet Poster Board	Select the paper source
Reduce/Enlarge	Auto Fit Page	Select On to fit the short edge of the image to the width of the paper Note: This setting is not available if paper is not loaded into the printer.
	Custom Size	Select Actual Size to print using the image size, or select Specified Size to set a different output size

Setting	Options	Description
Page Margins option	Clip by Margins	Subtracts the page margin value from the output size selected in the Reduce/Enlarge settings. Any print object in the margin area is clipped and not printed.
	Oversize	Adds the page margin value outside the output size selected in the Reduce/Enlarge settings (A).
	Borderless	Copies the original without margins around the edges. The image is enlarged a little to remove margins from the edges of the paper.

Advanced Settings

Setting	Options	Description
Original Type	Text/Line Drawing & Image Tracing Paper Blueprint Blueprint Inverted Watercolor Rendering	Select the type that corresponds to the loaded original
Original Size	Regular Size User-Defined	Determines the size of the scanned original. In most cases, Auto Detect should be used. Tracing paper and the optional carrier sheet are not detected automatically.
Top Offset	0.0 to 3.94 inches 0.0 to 100.0 mm	Select the amount of area at the top of the scanned original that will not be scanned

Setting	Options	Description
Image Quality	Contrast	Adjusts the contrast of the image
	Color Correction	Adjusts the color of the image
	Sharpness	Adjusts the sharpness of the image
	Remove Background	Removes backgrounds from thin originals or images with unwanted backgrounds
Bidirectional	On Off	Select On to print in both directions, resulting in faster print speed but reduced accuracy
Auto Rotate	On Off	Select On to rotate the image automatically
File Storing	—	Saves copied data to a storage space
Clear All Settings	—	Restores all copy settings to their default values

Parent topic: [Copying Documents or Photos](#)

Creating Scanning Contacts

You can create email, network folder, and FTP contacts to receive your scanned images.

[Creating a Shared Network Folder](#)

[Registering Contacts for Email, Network, or FTP Scanning - Control Panel](#)

[Registering Contacts for Email, Network Folder, or FTP Scanning - Web Config](#)

Parent topic: [Using the Integrated Scanner \(SureColor T5770DM/T7770DM\)](#)

Creating a Shared Network Folder

You can create a shared network folder on your computer or an FTP site and register its location to your product's **Contacts** list.


Note: If you are creating a shared network folder on a Mac, see your Mac documentation for instructions on creating the folder. The instructions here are for Windows.

First make sure you connected your product and computer to the same network.

Note: If you are running a Home version of the Windows operating system, you cannot create a shared folder on your Windows desktop or in the Documents or Pictures folder unless you have created a Home Group Configuration for sharing. You can, however, create a shared folder in the root of the C: drive on your system.

If you want to scan to a folder on an FTP server, contact the FTP server administrator for the server address and authentication access to a shared folder on the server.

1. If you are scanning to a network folder on your computer, do one of the following to check the format of your computer name:

- **Windows 11, Windows 10, or Windows 8.x:** Hold down the Windows key on your keyboard and press the **X** key. Select **System** from the list that appears. Check the Computer Name or Device Name listed for your computer on the System window.
- **Windows 7:** Click , right-click **Computer**, and select **Properties**. Check the Computer Name listed for your computer on the System window.

Note: The settings in these steps may vary, depending on your version of Windows. See Windows Help for details on your operating system.

2. If the computer's name uses any characters that are not alphanumeric (letters or numbers), do one of the following to change the computer's name:

- **Windows 11, Windows 10, or Windows 8.x:** Select **Rename this PC** and follow the on-screen prompts.
- **Windows 7:** Select **Change Settings**, change the computer's name, and click **OK**. (See Windows Help for instructions, if necessary.)

Note: You need to be logged into Windows as an administrator to change the computer's name. After changing the name, restart your computer.

3. Start File Explorer or Windows Explorer.

4. Create a folder on the Windows desktop with a folder name of 12 characters or less; otherwise, your product may not be able to access the folder.

Note: You need to be logged into Windows as an administrator to access the desktop folder and the document folder under each User folder.

5. Right-click the folder you created and select **Properties**.
6. On the **General** tab, deselect the **Read-only** checkbox to allow users to access the folder over the network.
7. Select the **Sharing** tab and click the **Advanced Sharing** button.

Note: You need to be logged into Windows as an administrator to select the **Advanced Sharing** button.

8. On the Advanced Sharing screen, select the **Share this folder** checkbox.
9. Click the **Permissions** button and select the following on the Share Permissions tab:
 - Select **Everyone** under Group or user names.
 - Select the checkbox in the **Allow** column for the **Change** setting.
10. Click **OK** to save the settings, then click **OK** again to close the Advanced Sharing window.
11. Select the **Security** tab and check that the Group or user names list at the top includes the current computer user and the administrators who can now access the folder.
12. Select the **Sharing** tab again and write down the **Network Path** listed under Network File and Folder Sharing at the top. This is the path you will register to your product contacts list so you can select it for network scanning.
13. Click **OK** or **Close**.



Now you can register the folder path to your product contacts list.

Parent topic: [Creating Scanning Contacts](#)

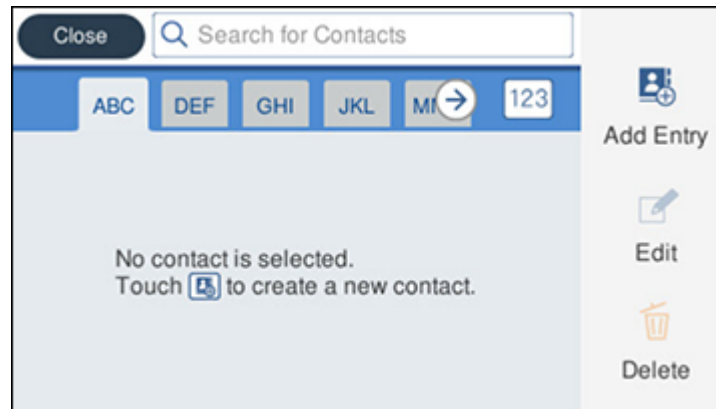
Registering Contacts for Email, Network, or FTP Scanning - Control Panel

You can create a list of contacts for scanning to email or to a network folder or FTP.

Note: Contacts can be locked by an administrator. If you cannot access or change contacts, contact your administrator for assistance. You can create up to 200 contacts and contact groups combined.

1. Press the  home button, if necessary.
2. Select  > **General Settings** > **System Administration**.
3. Select **Contacts Manager**.
4. Select **Add/Edit/Delete**.

You see a screen like this:



5. Select **Add Entry**.
6. Select **Add Contact**.
7. Do one of the following:
 - To create a contact for scanning to email, select **Email**.
 - To create a location for scanning to a network folder or FTP, select **Network Folder/FTP**.
8. Select the number you want to use for the contact you are adding.
9. Select the **Name** field. Use the on-screen keyboard to enter the contact name (up to 30 characters) and select **OK**.
10. Select the **Index Word** field. Use the on-screen keyboard to enter a word to use when searching for an entry (up to 30 characters) and select **OK**. (This field is optional.)
11. Do one of the following:
 - For an email contact, select the **Email Address** field. Use the on-screen keyboard to enter the address and select **OK**.
 - For a network folder or FTP location, select the **Communication Mode** field and select **Network Folder (SMB)** or **FTP**. Then select the **Location** field, use the on-screen keyboard to enter the location, and select **OK**. Enter other information if necessary.

Enter the folder path name for the **Location** setting in one of the following formats depending on the **Communication Mode** setting you selected:

- **SMB:** \\host name\folder
- **FTP:** ftp://host name/folder name

Enter additional connection information as needed.

12. To add the contact to the frequently used contacts list, select **Assign to Frequent Use**.
13. Select **OK**.

Parent topic: [Creating Scanning Contacts](#)

Registering Contacts for Email, Network Folder, or FTP Scanning - Web Config

You can register a list of contacts for scanning to email, a network folder or an FTP server using Web Config and your computer's internet browser. You can create a total of 200 contacts and groups combined.

Before you begin, print a network status sheet and locate the IP address for your product on the sheet.

Note: These instructions use Internet Explorer as an example browser.

1. Start Internet Explorer on a computer that is using the same network as your product.
2. Type your product's IP address into the address bar and press **Enter**.
3. Click **Continue to this website (not recommended)**.
4. In the upper right corner of the screen, click **Log in** and enter the Administrator password.
5. Click **Scan/Copy > Contacts**.
6. Select the number you want to use for the contact you are adding and click **Edit**.
7. Select **Email, Network Folder (SMB)**, or **FTP** as the **Type** setting.
8. Enter the following information for the contact:
 - **Name:** The name to display in your product's contact list.
 - **Index Word:** Enter a word to identify this entry when searching for it (up to 30 characters). This field is optional.
 - **Assign to Frequent Use:** If you want to identify the contact as a frequently used address, select **On**. This makes it quicker to select the contact when you scan.
 - **Secure Connection:** For FTP locations, choose whether to use FTP or FTPS when connecting

- **Email Address:** For email contacts, enter the email address
- **Save to:** The network path to the shared folder.

Enter the folder path name in one of the following formats depending on the **Type** setting you selected:

- **SMB:** host_name\folder
- **FTP:** host_name/folder_name
- **User Name and Password:** Enter only if you have set up a password on your computer.
- **Connection Mode:** For FTP locations, select **Passive Mode** if there is a firewall between the product and FTP server.
- **Port Number:** For FTP locations, enter the port number.
- **Certification Validation:** For FTP locations, select whether to require certification validation.

9. Click **Apply**.

After a moment, you see a message telling you that contact registration is complete.


10. Close your web browser.

Parent topic: [Creating Scanning Contacts](#)

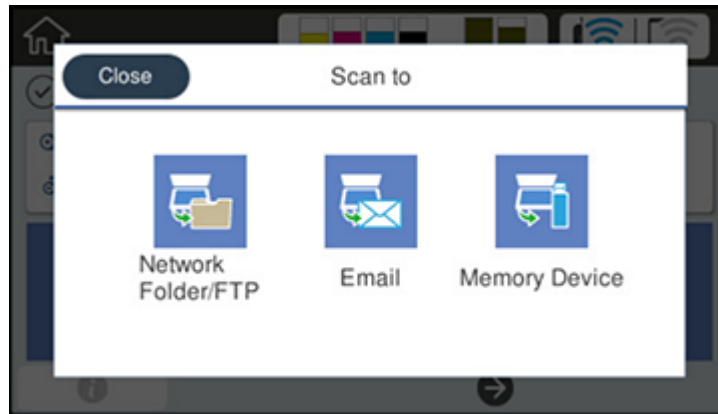
Scanning to a Network Folder or FTP Server

You can scan an image and save it to a network folder using your product's control panel. You can either enter the folder path directly on the product's control panel or select a folder from the **Contacts** list.

Note: Make sure the date and time are set correctly before using this feature.

1. Place your original on the product for scanning.
2. Press the  home button, if necessary.
3. Select **Scan**.

You see a screen like this:



4. Select **Network Folder/FTP**.
5. Do one of the following:
 - Select from any displayed frequent contacts.
 - Select **Keyboard**, select the **Communication Mode** field, and select **Network Folder (SMB)** or **FTP**. Then select the **Location** field and enter the folder location, and press **OK**. Enter other information as necessary.

Enter the folder path name for the **Location** setting in one of the following formats depending on the **Communication Mode** setting you selected:

 - **SMB**: \\host name\folder
 - **FTP**: ftp://host name/folder name
 - Select **Contacts** and choose a saved folder from the **Contacts** list.
6. Select **Scan Settings**.
7. Select **File Format** to choose the file format for your scan.
8. Scroll down and change the **File Name** setting, if necessary.
9. Select any additional scan settings as necessary.
10. Select **Presets** to save your scan settings.

Note: Presets can be locked by an administrator. If you cannot access or change this setting, contact your administrator for assistance.
11. Press the **Save** icon.

Your product scans your original and saves it in the selected location.

12. After scanning is complete, hold the original and select **OK** to remove the original.

[Scan to Network Folder/FTP Settings](#)

Parent topic: [Using the Integrated Scanner \(SureColor T5770DM/T7770DM\)](#)

Scan to Network Folder/FTP Settings

Setting	Options	Description
Destination	—	Specifies the location where the scanned image will be saved. You can select from your existing contacts or edit the location directly.
Scan Settings		
Color Mode	Black/White Color	Select the color mode to use when printing
File Format	File Format	Selects the file format for the saved image
	Compression Ratio	Selects the compression ratio for the saved image
	PDF Settings	Sets the permissions and passwords for the saved PDF
Resolution	200 dpi 300 dpi 400 dpi 600 dpi	Select the scanning resolution
Scan Size	Various sizes	Determines the size of the scanned original
Top Offset	0.0 to 3.94 inches 0.0 to 100.0 mm	Selects the amount of area at the top of the scanned original that will not be scanned. If you are using the optional carrier sheet, the value should be 0.75 inch (19 mm).

Setting	Options	Description
Original Type	Text/Line Drawing & Image Tracing Paper Blueprint Blueprint Inverted Watercolor Rendering	Selects the type that corresponds to the loaded original
Density	-4 to 4	Choose the print density for the printed output. Positive values increase the density.
Image Quality	Contrast	Adjusts the contrast of the image
	Sharpness	Adjusts the sharpness of the image
	Remove Background	Removes backgrounds from thin originals or images with unwanted backgrounds
File Storing	—	Saves scanned data to a storage space
File Name	—	Sets a file name for the scanned data

Parent topic: [Scanning to a Network Folder or FTP Server](#)


Scanning to Email

You can scan an original and email the scanned file using your product's control panel. You need to have a preconfigured email server before you can scan to email. You can either enter the email address directly on the product's control panel or select an address from the **Contacts** list. Make sure the date and time are set correctly so the time stamps on your emails are accurate.

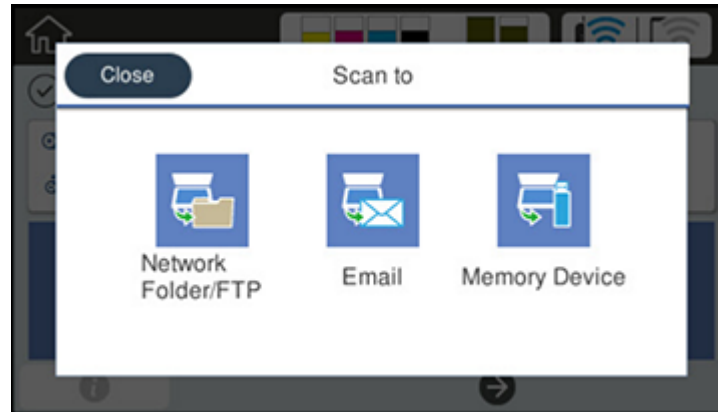
Note: The email server and printer must be connected to the same network; scanning to email does not work with web-based email services.

Note: You can also use the Scan to Document Capture Pro function to scan and email the scanned file.

1. Load your original into the product for scanning.

2. Press the  home button, if necessary.
3. Select **Scan**.

You see a screen like this:



4. Select **Email**.
5. Do one of the following:
 - Select from any displayed frequent contacts.
 - Select **Keyboard** to use the displayed keyboard to enter the address for the recipient and press **OK**.
 - Select **Contacts** and choose an email address from the **Contacts** list.
 - Select **History** to choose an email address from your recent scan history.
6. Select **Scan Settings**.
7. Select **File Format** to choose the file format for your scan.
8. Scroll down and change the **Subject** and **File Name** settings, if necessary.
9. Select any additional scan settings as necessary.
10. Select **Presets** to save your scan settings.

Note: Presets can be locked by an administrator. If you cannot access or change this setting, contact your administrator for assistance.

11. Press the **Save** icon.

Your product scans your original and emails the scanned file.

12. While holding the original, select **OK** to remove the original from the product.

[Scan to Email Settings](#)

Parent topic: [Using the Integrated Scanner \(SureColor T5770DM/T7770DM\)](#)

Scan to Email Settings

Setting	Options	Description
Destination	—	Specifies the recipient of the scanned image. You can select from your existing contacts or enter the recipient directly.
Scan Settings		
Color Mode	Black/White Color	Select the color mode to use when printing
File Format	File Format	Select the file format for the saved image
	Compression Ratio	Selects the compression ratio for the saved image
	PDF Settings	Sets the permissions and passwords for the saved PDF
Resolution	200 dpi 300 dpi 400 dpi 600 dpi	Select the scanning resolution
Scan Size	Various settings User-Defined	Determines the size of the scanned original
Top Offset	0.0 to 3.94 inches 0.0 to 100.0 mm	Selects the amount of area at the top of the scanned original that will not be scanned

Setting	Options	Description
Original Type	Text/Line Drawing & Image Tracing Paper Blueprint Blueprint Inverted Watercolor Rendering	Select the type that corresponds to the loaded original
Density	-4 to 4	Choose the print density for the printed output. Positive values increase the density.
Image Quality	Contrast	Adjusts the contrast of the image
	Sharpness	Adjusts the sharpness of the image
	Remove Background	Removes backgrounds from thin originals or images with unwanted backgrounds
File Storing	—	Saves the scanned data to a storage space
Subject	—	Specifies the contents of the subject of the email. The subject is restricted to single-byte characters and symbols.
Attached File Max Size	1MB 2MB 5MB 10MB 20MB 30MB	Limits the size of the file attached to the email
File Name	—	Set a file name for the scanned data
Mail Encryption	On Off	Select On to encrypt outgoing mail

Setting	Options	Description
Digital Signature	On Off	Select On to add an electronic signature
Menu	Show Sent History Email Server	View sent history and server logs
Computer	—	Save scanned data to a specified computer

Contacts Manager

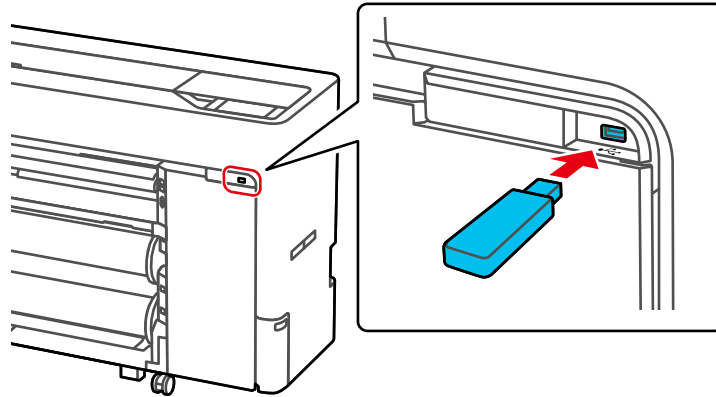
Setting	Options	Description
Add/Edit/Delete	—	Add, edit, or delete your contacts
Frequent	Email Network Folder/FTP	Displays addresses that have been set for frequent use. You can also set addresses for standard use.
Print Contacts	List of all Contacts List of Email Contacts List of Network Folder/FTP Contacts	Print the contacts list in the specified area
View Options	Tile View List View	Select the format in which you want to view your contacts
Search Options	Begins with Ends with Includes	Set the search parameters for your contacts lists


Parent topic: [Scanning to Email](#)

Scanning to a Memory Device

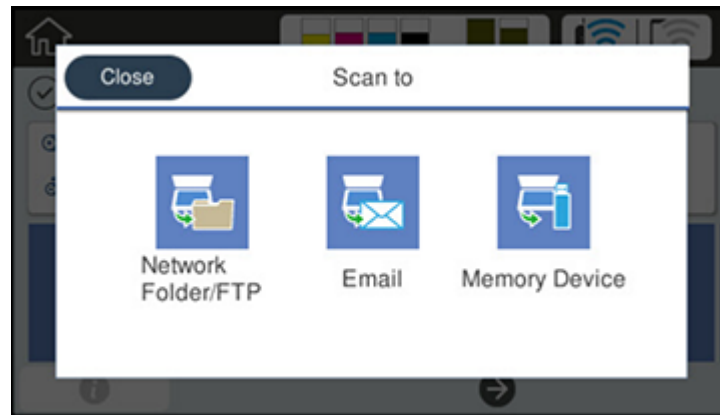
You can scan an original and save the scanned image to a memory card or external USB device.

1. Connect an external USB device to the port on the front of the product.

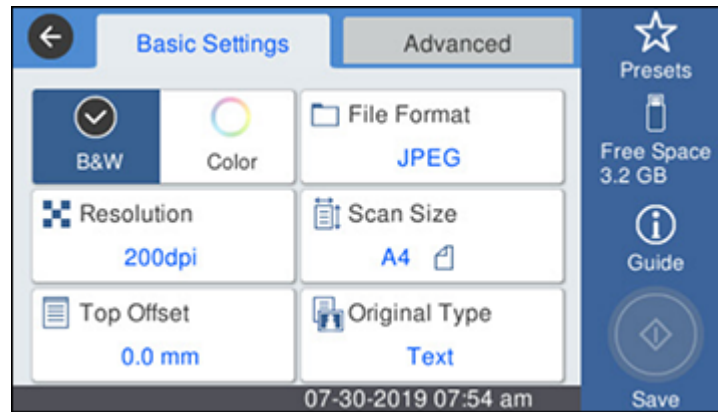


2. Place your original on the product for scanning.
3. Press the  home button, if necessary.
4. Select **Scan**.

You see a screen like this:



5. Select **Memory Device**.
You see a screen like this:



6. Change any of the displayed settings on the **Basic Settings** tab as necessary.
7. Select the **Advanced** tab to view and change additional scan settings, if necessary.
8. On the **Basic Settings** tab, press the **Save** icon to start scanning.
Your product scans your original and saves the scanned file to the USB device.
9. While holding the original, select **OK** to remove the original.

[Scan to Memory Device Settings](#)

Parent topic: [Using the Integrated Scanner \(SureColor T5770DM/T7770DM\)](#)

Scan to Memory Device Settings

Basic Settings

Setting	Options	Description
Color Mode	Black/White Color	Selects the color mode to use when printing

Setting	Options	Description
File Format	File Format	Selects the file format for the saved image
	Compression Ratio	Selects the compression ratio for the saved image
	PDF Settings	Sets the permissions and passwords for the saved PDF
Resolution	200 dpi 300 dpi 400 dpi 600 dpi	Select the scanning resolution
Scan Size	Various settings	Select the size of the scanned original. In most cases, Auto Detect should be used.
Top Offset	0.0 to 3.94 inches 0.0 to 100.0 mm	Selects the amount of area at the top of the scanned original that will not be scanned
Original Type	Text/Line Drawing & Image Tracing Paper Blueprint Blueprint Inverted Watercolor Rendering	Selects the type that corresponds to the loaded original

Advanced

Setting	Options	Description
Density	-4 to 4	Choose the print density for the printed output. Positive values increase the density.


Setting	Options	Description
Image Quality	Contrast	Adjusts the contrast of the image
	Sharpness	Adjusts the sharpness of the image
	Remove Background	Removes backgrounds from thin originals or images with unwanted backgrounds
File Storing	—	Save scanned data to a storage space
File Name	—	Set a file name for the scanned data

Parent topic: [Scanning to a Memory Device](#)

Scanning to a Computer

You can scan an image and save it to your computer using your product's control panel.

Note: Make sure the date and time are set correctly before using this feature.


1. Place your original on the product for scanning.
2. Press the  home button, if necessary.
3. Select **Scan**.
4. Select **Computer**.
5. Select the computer on which Document Capture Pro is installed.
The scanner slot opens automatically.
6. Select the **Scan** icon.
Document Capture Pro opens and your product scans the original and sends the scanned file to the connected computer.

Parent topic: [Using the Integrated Scanner \(SureColor T5770DM/T7770DM\)](#)

Scanning to the SSD Unit

You can scan an image and save it to the built-in SSD unit using your product's control panel.

Note: Make sure the date and time are set correctly before using this feature.

1. Place your original on the product for scanning.
2. Press the  home button, if necessary.
3. Select **Scan**.
4. Select **Storage > Store To**.
5. Select the location.
The scanner slot opens automatically.
6. Select the **Store** icon.
Your product scans the original and sends the scanned file to the SSD unit.

[Scan to Storage Settings](#)

Parent topic: [Using the Integrated Scanner \(SureColor T5770DM/T7770DM\)](#)

Scan to Storage Settings

Setting	Options	Description
Store To	—	Specify the location for the scanned data
Scan Settings		
Color Mode	Black/White Color	Select the color mode to use when scanning
Resolution	200 dpi 300 dpi 400 dpi 600 dpi	Select the scanning resolution
Scan Size	Various settings	Select the size of the scanned original
Top Offset	—	Scan to align with the top edge

Setting	Options	Description
Original Type	Text/Line Drawing & Image Tracing Paper Blueprint Blueprint Inverted Watercolor Rendering	Select the type that corresponds to the loaded original
Density	-4 to 4	Choose the print density for the printed output. Positive values increase the density.
Image Quality	Contrast	Adjusts the contrast of the image
	Sharpness	Adjusts the sharpness of the image
	Remove Background	Removes backgrounds from thin originals or images with unwanted backgrounds
File Name	—	Set a file name for the scanned data
File Password	—	Set a password for the scanned data
User Name	—	Specify the name of the user who created the scanned data
WSD	—	When enabled, WSD (Web Service for Devices) for Windows OS can automatically detect devices on the network

Parent topic: [Scanning to the SSD Unit](#)

Printing from a USB Memory Device

You can save JPG, TIFF, HP-GL/2, and some PDF files on a USB memory device and then connect the device to the printer for printing.

Note: On models without the Adobe Embedded Print Engine (SureColor P6570DE/P6570E/T3770DE/T3770E), PDF files must be created using the scan function of an Epson inkjet printer.

Make sure your USB memory device meets these requirements:

- Format type: FAT, FAT32, or exFAT
- No security functions such as encryption or passwords

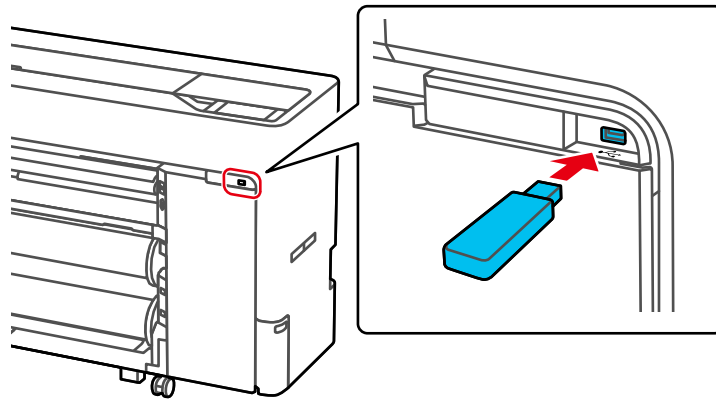
[Connecting and Printing from a USB Memory Device](#)


Connecting and Printing from a USB Memory Device

You can print from a USB memory device connected to your printer.

Note: Connections that use an extension cable, a USB hub, or a card reader cannot be guaranteed.

1. Connect the USB memory device containing the saved data to the USB memory device port on the control panel.



2. Press the  home button, if necessary.
3. Select **Memory Device**.
4. Select the menu option that matches the format of the file you want to print.
5. Do one of the following to select a single image to print:
 - For **JPEG**: Select an image and select **Proceed to Print** (a check mark will appear on the selected image). Select **Single View** to view the selected image individually.
 - For **TIFF** or **PDF**: Select a file name from the list on the screen.

Note: Files in formats other than JPEG, TIFF, or PDF are not displayed on the LCD screen. Any characters in the folder or file names that cannot be displayed by the printer are displayed as a question mark.

6. Select the paper source and either **B&W** or **Color**.
7. Choose one of the following:
 - If using advanced settings such as enlarging or reducing print size, go to the next step.
 - If printing at actual size without advanced settings, skip to step 10.
8. Select the **Advanced** tab and select any necessary settings. You can select **Reduce/Enlarge** to set the reduce/enlarge ratios. If you set **Auto Fit Page** to **On**, printing is performed by automatically enlarging to fit the width of the roll paper or the size of the cut sheet paper loaded in the printer.

Note: You can select **Presets** to use a previously saved group of settings. The Preview button allows you to check the print image (JPEG, TIFF, or PDF only).

9. Change other settings, as necessary.
10. Select **Print** to begin printing.

Note: You need the SSD unit to print multiple copies. Install the SSD unit if necessary, and create a storage space. (The SSD unit is included with SureColor T5770DM/T7770DM and optional for all other models.)

Parent topic: [Printing from a USB Memory Device](#)

Using the Solid State Drive (SSD) Unit

The SSD unit allows you to store and retrieve data quickly and reliably.

Note: The SSD unit is pre-installed on SureColor T5770DM/T7770DM; it is an option for all other models.

You can create multiple storage spaces in Storage to organize your documents so that you can easily locate the data when needed.

[SSD Unit Storage Options](#)

[Using the SSD Unit from Your Computer](#)

[Creating a Storage Space](#)

[Saving Data to Storage](#)

[Printing Stored Data](#)

[Managing Storage Spaces and Documents](#)

SSD Unit Storage Options

You can save documents and scanned data (SureColor T5770DM/T7770DM) to the Storage space on the SSD unit. You can also create additional Storage spaces and set up passwords and access restrictions for shared folders.

Type	Description
Shared Storage (Fixed)	Common storage space for all users. Anyone can store and use documents in the fixed Storage space, however, only administrators can change the Folder Name , set a password, or delete the storage space.
Shared Storage	Create multiple storage spaces to organize your documents. You can set a password for the space to limit storage and retrieval of documents to a select number of users. You can also set a password for each document to restrict access to it.

Type	Description
Personal Folder	<p>When user authentication is enabled, only logged-in users can store and retrieve documents.</p> <p>Users can only have one Personal Folder, and it is not displayed when other users log in.</p>

Caution: The following situations may cause loss or corruption of data in Storage. Epson is not responsible for any data loss, data corruption, or problems due to any cause, including those listed below and within the warranty period. Epson is also not responsible for the recovery of lost or corrupted data.

- The disk is used incorrectly
- The disk is affected by static electricity or electrical noise
- The disk is damaged by a natural disaster
- After a malfunction or repair

Note: To remove the optional SSD unit, select **General Settings > System Administration > Disable the Optional storage unit** (applicable to all models except SureColor T5770DM/T7770DM).

Parent topic: [Using the Solid State Drive \(SSD\) Unit](#)

Related tasks

[Creating a Storage Space](#)

[Restricting Operations for Shared Storage Spaces](#)

Using the SSD Unit from Your Computer

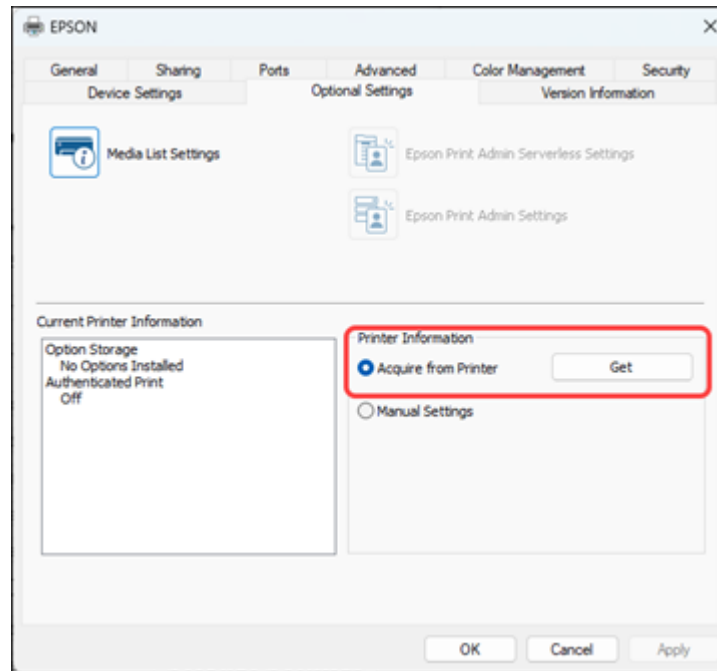
In order to use the SSD unit from your computer, you need to select settings in the printer driver in advance.

Do one of the following:

Windows:

1. In the Windows control panel, select **Printers & Scanners**, select your product, and open the **Printer Properties** screen.
2. Click on the **Optional Settings** tab.

3. Select **Acquire from Printer** and click on **Get**.

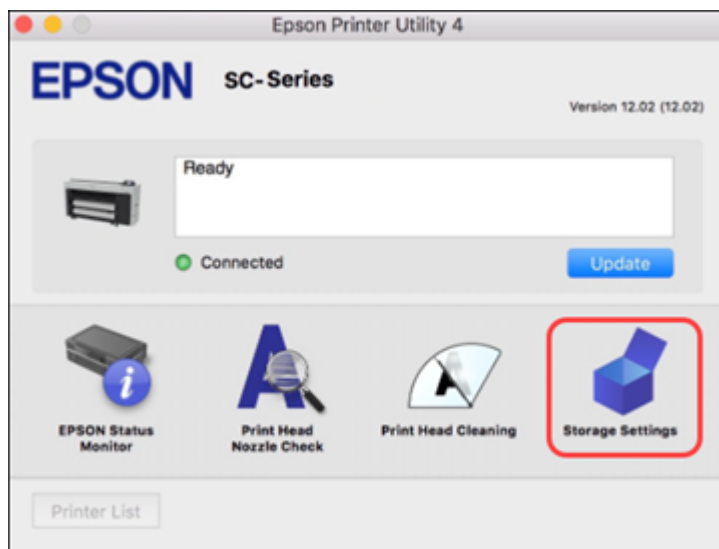


If **Installed** is displayed under Option Storage in the Current Printer Information section, you can use the SSD unit.

Mac:

1. In the Apple menu or the Dock, select **System Preferences** or **System Settings**. Select **Print & Fax**, **Print & Scan**, or **Printers & Scanners**, select your product, and select **Options & Supplies**. Select **Utility** and select **Open Printer Utility**.

2. Select **EPSON Status Monitor** and click on **Storage Settings**.



3. Select your settings on the Storage Settings screen and click **Apply**.

Epson Printer Utility 4

EPSON SC-Series

Storage Settings

Folder Type

User Folder

Shared Folder

Number 0

Password

User Name

Login Name shima

Custom

Password Protection

Job Password

Enter up to 20 alphanumeric characters and symbols.

Cancel Apply


You can now use the SSD unit.

Parent topic: [Using the Solid State Drive \(SSD\) Unit](#)

Creating a Storage Space

A shared Storage space can be created by an administrator or a user. However, users can only create Storage spaces if **General Settings > Storage Settings > Shared Folder Access Control > Access** is set to **Allowed** and **Operation Authority** is set to **User**.

Only administrators can create a Personal Folder.

1. Select the  **Storage** icon on the product's control panel.

2. Select the following settings on the Storage Settings screen:
 - **Storage number:** Enter a storage number. If no number is entered, one will be assigned automatically.
 - **Folder Name** (required): Enter a folder name using up to 30 alphanumeric characters.
 - **Storage Password:** Set a password to restrict the use of the Storage space. Once a password is set, you will be required to enter a password to save or view documents in Storage, and perform Storage operations.
 - **Automatic File Deletion Settings:** Set whether or not to automatically delete saved documents.

Parent topic: [Using the Solid State Drive \(SSD\) Unit](#)

Related references

[Storage Settings Menu](#)

Saving Data to Storage

When printing a document from your computer, you can select where you want to store it. You can also save the print data to Storage without printing the document.

[Saving Data to Storage - Windows](#)

[Saving Data to Storage - Mac](#)

[Saving Data from a USB Memory Device to Storage](#)

Parent topic: [Using the Solid State Drive \(SSD\) Unit](#)

Saving Data to Storage - Windows

You can print a document from your computer and save it to a specified Storage space on the SSD unit. You can also save the print data directly to Storage without printing the document.

1. In the Windows control panel, select **Printers & Scanners**, select your product, and open the **Printer Properties** screen.
2. Select the **Advanced** tab.
3. Select **Job Type > Save to Storage and Print**.

Note: To save the print data to Storage without printing the document, select **Job Type > Save to Storage**.

4. Click **Settings**.

5. If the folder name you want to save to is not displayed in the **Folder Name** field on the Storage Settings screen, click **Storage Settings**, add the folder name in **Folder List (Printer)**, and click **OK**.

Note: If the folder name you want to save to is not displayed in **Folder List (Printer)**, click **Update Folder List** and wait for the update to complete.

6. On the Storage Settings screen, select the folder name you want to save to from the **Folder Name** list.

Note: If you do not know the password, contact your administrator.

7. Make other settings as necessary, then click **OK**.
8. If you want to change the resolution of the print data when saving to Storage, click the **Printer Settings** tab and select **Print Quality > Advanced Settings**, select the print quality on the Quality Options screen, and click **OK**.
9. Select other settings as necessary, then click **OK**.
10. Click **Print**.

Parent topic: [Saving Data to Storage](#)

Saving Data to Storage - Mac

You can print a document from your computer and save it to a specified Storage space on the SSD unit. You can also save the print data directly to Storage without printing the document.

1. In the Apple menu or the Dock, select **System Preferences** or **System Settings**. Select **Print & Fax**, **Print & Scan**, or **Printers & Scanners**, select your product, and select **Options & Supplies**. Select **Utility** and select **Open Printer Utility**.
2. On the Epson Printer Utility screen, click **Storage Settings**.
3. Set the save location, then click **OK**.
4. On the Print Settings screen, select **Save to Storage and Print** as the printing method.


Note: To save the print data to Storage without printing the document, select **File Storing** as the printing method.

5. Select other settings as necessary, then click **Print**.


Parent topic: [Saving Data to Storage](#)

Saving Data from a USB Memory Device to Storage

You can save data from a USB memory device to Storage.

1. Connect the USB memory device to the product's USB memory port.
2. On the product's control panel, select the  home icon, if necessary.
3. Select **Memory Device**.
4. Select the type of data you want to save, and then select a file.
5. Select the **Advanced** tab, and set the **File Storing** setting to **On**.
6. Specify the Storage space, and select other settings as necessary.

Note: In the **Setting** menu, select whether you want to print the file when saving it to Storage.

7. Press the  start button.



Parent topic: [Saving Data to Storage](#)

Related references

[Memory Device Settings Menu](#)

Printing Stored Data

You can print the data stored on the SSD unit.

1. Select the  **Storage** icon on the product's control panel.
2. Select the file you want to print.
3. Set the number of copies you want to print.
4. Make other print settings as necessary.
5. Press the  start button.

Parent topic: [Using the Solid State Drive \(SSD\) Unit](#)

Managing Storage Spaces and Documents

Follow the instructions in these sections to manage your storage spaces and documents on the SSD unit.

[Searching for Storage Spaces and Documents](#)

[Deleting a Document from Storage](#)


[Changing the Storage Period](#)
[Deleting a Storage Space](#)
[Restricting Operations for Shared Storage Spaces](#)

Parent topic: [Using the Solid State Drive \(SSD\) Unit](#)

Searching for Storage Spaces and Documents

You can use the following keywords to search for Storage spaces and documents.


- Search for Storage spaces using the **Storage Number** or **Folder Name**.
- Search for documents using the **Document Name** or **User Name**.

1. Select the  **Storage** icon on the product's control panel.
2. Enter a keyword in the search box on the Storage list or Document list screen.

Parent topic: [Managing Storage Spaces and Documents](#)

Deleting a Document from Storage

You can delete any documents that you no longer need to free up space on your drive and improve performance.


1. Select the  **Storage** icon on the product's control panel.
2. Select the Storage space containing the document you want to delete and select **Open**.
3. Select the document you want to delete and select **Delete**.

Note: You can also select multiple documents and delete them all at once.

Parent topic: [Managing Storage Spaces and Documents](#)

Changing the Storage Period

Documents in Storage are not automatically deleted by default. Administrators and users can change the storage period or set it to indefinite. However, users can only change this setting when **General Settings > Storage Settings > Shared Folder Access Control > Access** is set to **Allowed** and **Automatic Delete Setting Authority** is set to **User**.

1. Select the  Menu icon on the product's control panel.
2. Select **General Settings > Storage Settings > Shared Folder File Management**.

3. Change the storage period setting.


Parent topic: [Managing Storage Spaces and Documents](#)

Related references

[Storage Settings Menu](#)

Deleting a Storage Space

Administrators and users can delete a shared Storage space. However, users can only delete Storage spaces when **Menu > General Settings > Storage Settings > Shared Folder Access Control > Access** is set to **Allowed** and **Automatic Delete Setting Authority** is set to **User**.

1. Select the  **Storage** icon on the product's control panel.
2. Select the Storage space you want to delete, and then select **Delete**.
 - If a password has been set for the Storage space, users will need to enter the password. Administrators can delete without entering the password.
 - Users cannot delete a Storage space that contains a document with a password. Administrators can still delete the Storage space.
 - When you delete a Storage space, all of the documents in that Storage space are also deleted.


Parent topic: [Managing Storage Spaces and Documents](#)

Related references

[Storage Settings Menu](#)

Restricting Operations for Shared Storage Spaces

You can set whether to allow only administrators or other users to access shared Storage spaces.

1. Select the  **Menu** icon on the product's control panel.
2. Select **General Settings > Storage Settings > Shared Folder Access Control > Operation Authority**.
3. Select **User** or **Administrator Only**.

Parent topic: [Managing Storage Spaces and Documents](#)

Using the Control Panel Menus

Follow the instructions in these sections to access the printer menu system and select settings.

[Accessing the Printer's Menus](#)

[Paper Setting Menu](#)

[Basic Settings Menu](#)

[Printer Settings Menu](#)

[Network Settings Menu](#)

[Scan Settings Menu \(SureColor T5770DM/T7770DM\)](#)

[Memory Device Settings Menu](#)

[Network Folder Menu](#)

[Storage Settings Menu](#)

[User Settings Menu](#)



[System Administration Menu](#)

[Maintenance Menu](#)


[Printer Status Menu](#)

Accessing the Printer's Menus

You can use the printer menus to adjust the settings that control how your printer works.


1. Select the  home icon, if necessary.
2. Select the  Menu icon.
3. Press the up or down arrow to scroll through the menus, or swipe up or down on the LCD screen.

Note: To return to the previous screen, press the left arrow button.

4. Press the up or down arrow to move through the settings, or swipe up or down on the LCD screen.
5. To select a setting, select **OK** any time the **OK** option is displayed. You can also select a setting to toggle it on or off.
6. When you finish changing settings on a menu, press the left arrow button to go back or select the  home icon on the control panel to completely exit the menu.

Parent topic: [Using the Control Panel Menus](#)

Paper Setting Menu

Select  > **Paper Setting**, then select a paper source to customize the paper options.

Roll 1 (dual roll models)/**Roll Paper** (single roll models) menu

Setting	Options	Description
Remove	—	Rewinds the loaded roll paper until it is ejected from the paper feeder; information on how to remove the roll paper is displayed on the LCD screen.
Feed/Cut Paper	Backward Forward Cut	Moves the paper backward or forward, or cuts it using the built-in cutter.

Setting	Options	Description
Print Adjustments	Automatic Adjustment	<p>Select Standard to automatically adjust the paper feed and alignment settings.</p> <p>Select Details if standard adjustment results are not satisfactory, or if you want to customize the setting based on specific printing needs.</p>
	Paper Feed Adjust	<p>Select Auto to automatically adjust the paper feed settings.</p> <p>Select Manual if automatic adjustment results are not satisfactory and you want to perform adjustments based on specific printing needs; select an adjustment setting from the following:</p> <ul style="list-style-type: none"> • Select Quality First to print adjustment patterns to adjust the feed for image quality. • Select Length Accuracy First if you are printing images that require more precise dimensions and length, such as CAD files.
	Ruled Line Alignment	<p>Select Auto(Standard) if printed ruled lines are misaligned or print results are grainy or otherwise unsatisfactory.</p> <p>Select Auto(Details) if printed ruled lines are misaligned at the edge of the paper or Auto(Standard) alignment results are unsatisfactory.</p> <p>Select Manual(Standard) if automatic alignment results are not satisfactory and you want to precisely align the print head using the printed adjustment patterns.</p> <p>Select Manual(Details) if automatic and standard manual alignment results are not satisfactory and you want to select custom settings according to specific print needs.</p>

Setting	Options	Description
Advanced Paper Settings	Various options	See the Advanced Paper Settings table below.
Remaining Amount Management	Remaining Amount Management	Select On to display and record the amount of remaining roll paper.
	Remaining Amount	Select the amount of roll paper remaining.
	Remaining Alert	Select the amount of remaining roll paper before a warning is displayed.
Change Paper Type or Change Paper Type/Paper Width	Paper Type	Select a paper category and paper type.
	Paper Width	Change the paper width by setting Paper Size Check to Off . Select the width of the loaded paper, or select User-Defined if the width is not listed.

Advanced Paper Settings menu (in the **Roll 1** menu on dual roll models or the **Roll Paper** menu on single roll models)

Setting	Options	Description
Confirm ICC Profile (available only on models with Adobe Embedded Print Engine)	—	Displays the ICC profile name when using paper with custom paper settings.
Confirm Color Density (available only on models with Adobe Embedded Print Engine)	—	Displays the color density when using paper with custom paper settings (the ink density cannot be changed).
Paper Thickness	0.01 to 1.50 mm or 0.4 to 59.1 mil	Select the thickness of the roll paper; displayed only when using a custom paper type.

Setting	Options	Description
Platen Gap	Auto 1.2 1.6 1.9 2.1 2.4	Select the distance between the print head and the paper; displayed only when using a custom paper type.
Top/Bottom Margins	3 mm 15 mm 20 mm 45 mm Standard	Select the margin for the leading edge of the printed image. Depending on the paper type and printing environment, colors may be uneven near the leading edge if the margin is small.
Paper Suction	-3 to +3	Select to adjust the printer's suction setting; choose lower values for thinner papers.
Paper Size Check	On Off	Select On to detect the paper width when paper is loaded. Select Off when the paper roll is empty. This allows you to set the paper width before feeding the paper.
Auto Cut	Follow Paper Source Settings Never Cut	Select Follow Paper Source Settings to follow the cut settings in Printer Settings > Paper Source Settings > Roll Paper Setup > Cut Settings . Select Never Cut to cut paper manually.
Roll Core Diameter	2inch 3inch	Select the paper core size for the loaded roll paper.

Setting	Options	Description
Paper Eject Roller	Auto Use Do Not Use	Select to control the paper ejection roller. Select Auto to use the roller automatically depending on the type of Epson paper. Select Use to always use the roller to eject paper. Select Do Not Use when you are concerned about damaging the print surface.
Paper Feed Offset	-1.0 to 1.50%	Select the amount of offset necessary to reduce banding on uneven color in printouts; displayed only when using a custom paper type.
Restore Default Settings	—	Restores advanced paper settings to their default values; not available with custom paper types.

Caution: If the **Paper Size Check** setting is set to **Off**, the printer may print beyond the edges of the paper, causing ink to get on the printer.

Roll 2 menu (not available on SureColor P6570E/T3770E)

Setting	Options	Description
Remove	—	Rewinds the loaded roll paper until it is ejected from the paper feeder; information on how to remove the roll paper is displayed on the LCD screen.
Feed/Cut Paper	Backward Forward Cut	Moves the paper backward or forward, or cuts it using the built-in cutter.
Prepare for Take-up	—	Readies the auto take-up reel to accept roll paper; only available if the auto take-up reel is installed.

Setting	Options	Description
Print Adjustments	Automatic Adjustment	<p>Select Standard to automatically adjust the paper feed and alignment settings.</p> <p>Select Details if standard adjustment results are not satisfactory, or if you want to customize the setting based on specific printing needs.</p>
	Paper Feed Adjust	<p>Select Auto to automatically adjust the paper feed settings.</p> <p>Select Manual if automatic adjustment results are not satisfactory and you want to perform adjustments based on specific printing needs. Select an adjustment setting from the following:</p> <ul style="list-style-type: none"> • Select Quality First to print adjustment patterns to adjust the feed for image quality. • Select Length Accuracy First if you are printing images that require more precise dimensions and length, such as CAD files.
	Ruled Line Alignment	<p>Select Auto(Standard) if printed ruled lines are misaligned or print results are grainy or otherwise unsatisfactory.</p> <p>Select Auto(Details) if printed ruled lines are misaligned at the edge of the paper or Auto(Standard) alignment results are unsatisfactory.</p> <p>Select Manual(Standard) if automatic alignment results are not satisfactory and you want to precisely align the print head using the printed adjustment patterns.</p> <p>Select Manual(Details) if automatic and standard manual alignment results are not satisfactory and you want to select custom settings according to specific print needs.</p>

Setting	Options	Description
Advanced Paper Settings	Various options	See the Advanced Paper Settings table below.
Remaining Amount Management	Remaining Amount Management	Select On to display and record the amount of remaining roll paper.
	Remaining Amount	Select the amount of roll paper remaining.
	Remaining Alert	Select the amount of remaining roll paper before a warning is displayed.
Change Paper Type or Change Paper Type/Paper Width	Paper Type	Select a paper category and paper type.
	Paper Width	Change the paper width by setting Paper Size Check to Off . Select the width of the loaded paper, or select User-Defined if the width is not listed.

Advanced Paper Settings menu (in the **Roll 2** menu) (not available on SureColor P6570E/T3770E)

Setting	Options	Description
Confirm ICC Profile (available only on models with Adobe Embedded Print Engine)	—	Displays the ICC profile name when using paper with custom paper settings.
Confirm Color Density (available only on models with Adobe Embedded Print Engine)	—	Displays the color density when using paper with custom paper settings (the ink density cannot be changed).
Paper Thickness	0.01 to 1.50 mm or 0.4 to 59.1 mil	Select the thickness of the roll paper; displayed only when using a custom paper type.

Setting	Options	Description
Platen Gap	Auto 1.2 1.6 1.9 2.1 2.4	Select the distance between the print head and the paper; displayed only when using a custom paper type.
Top/Bottom Margins	3 mm 15 mm 20 mm 45 mm Standard	Select the margin for the leading edge of the printed image. Depending on the paper type and printing environment, colors may be uneven near the leading edge if the margin is small.
Paper Suction	-3 to +3	Select to adjust the printer's suction setting; choose lower values for thinner papers.
Paper Size Check	On Off	Select On to detect the paper width when paper is loaded. Select Off if a paper setting error occurs when paper is correctly loaded; this allows you to set the paper width before feeding the paper.
Auto Cut	Follow Paper Source Settings Never Cut	Select Follow Paper Source Settings to follow the cut settings in Printer Settings > Paper Source Settings > Roll Paper Setup > Cut Settings . Select Never Cut to cut paper manually.
Roll Core Diameter	2inch 3inch	Select the paper core size for the loaded roll paper.

Setting	Options	Description
Paper Eject Roller	Auto Use Do Not Use	Select to control the paper ejection roller. Select Auto to use the roller automatically depending on the type of Epson paper. Select Use to always use the roller to eject paper. Select Do Not Use when you are concerned about damaging the print surface.
Paper Feed Offset	-1.0 to 1.50%	Select the amount of offset necessary to reduce banding on uneven color in printouts; displayed only when using a custom paper type.
Restore Default Settings	—	Restores advanced paper settings to their default values; not available with custom paper types.

Caution: If the **Paper Size Check** setting is set to **Off**, the printer may print beyond the edges of the paper, causing ink to get on the printer.

Cut Sheet menu

Setting	Options	Description
Remove	—	Ejects cut sheets; information on how to remove the cut sheets is displayed on the LCD screen.

Setting	Options	Description
Print Adjustments	Automatic Adjustment	<p>Select Standard to automatically adjust the paper feed and alignment settings.</p> <p>Select Details if standard adjustment results are not satisfactory, or if you want to customize the setting based on specific printing needs.</p>
	Paper Feed Adjust	<p>Select Auto to automatically adjust the paper feed settings.</p> <p>Select Manual if automatic adjustment results are not satisfactory and you want to perform adjustments based on specific printing needs; select an adjustment setting from the following:</p> <ul style="list-style-type: none"> • Select Quality First to print adjustment patterns to adjust the feed for image quality. • Select Length Accuracy First if you are printing images that require more precise dimensions and length, such as CAD files.
	Ruled Line Alignment	<p>Select Auto(Standard) if printed ruled lines are misaligned or print results are grainy or otherwise unsatisfactory.</p> <p>Select Auto(Details) if printed ruled lines are misaligned at the edge of the paper or Auto(Standard) alignment results are unsatisfactory.</p> <p>Select Manual(Standard) if automatic alignment results are not satisfactory and you want to precisely align the print head using the printed adjustment patterns.</p> <p>Select Manual(Details) if automatic and standard manual alignment results are not satisfactory and you want to select custom settings according to specific print needs.</p>

Setting	Options	Description
Advanced Paper Settings	Various options	See the Advanced Paper Settings table below.
Change Paper Type/Paper Size	Paper Type	Select a paper category and paper type.
	Paper Size	Select the width of the loaded paper, or select User-Defined if the width is not listed.

Advanced Paper Settings menu (in the **Cut Sheet** menu)

Setting	Options	Description
Confirm ICC Profile (available only on models with Adobe Embedded Print Engine)	—	Displays the ICC profile name when using paper with custom paper settings.
Confirm Color Density (available only on models with Adobe Embedded Print Engine)	—	Displays the color density when using paper with custom paper settings (the ink density cannot be changed).
Paper Thickness	0.01 to 1.50 mm or 0.4 to 59.1 mil	Sets the thickness of the paper; displayed only when using a custom paper type.
Platen Gap	Auto 1.2 1.6 1.9 2.1 2.4	Select the distance between the print head and the paper; displayed only when using a custom paper type.
Paper Suction	-3 to +3	Select to adjust the printer's suction setting; choose lower values for thinner papers.

Setting	Options	Description
Paper Size Check	On Off	Select On to detect the paper width when paper is loaded. Select Off if a paper setting error occurs when paper is correctly loaded.
Paper Eject Roller	Auto Use Do Not Use	Select to control the paper ejection roller; select Auto to use the roller automatically depending on the type of Epson paper. Select Use to always use the roller to eject paper. Select Do Not Use when you are concerned about damaging the print surface.
Paper Feed Offset	-1.0 to 1.50%	Select the amount of offset necessary to reduce banding on uneven color in printouts; displayed only when using a custom paper type.
Restore Default Settings	—	Restores advanced media settings to their default values; not available with custom paper types.

Caution: If the **Paper Size Check** setting is set to **Off**, the printer may print beyond the edges of the paper, causing ink to get on the printer.

Poster Board menu

Setting	Options	Description
Remove	—	Ejects the loaded poster board.

Setting	Options	Description
Print Adjustments	Paper Feed Adjust	Select Manual and select an adjustment setting from the following: <ul style="list-style-type: none"> • Select Quality First to print adjustment patterns to adjust the feed for image quality. • Select Length Accuracy First if you are printing images that require more precise dimensions and length, such as CAD files.
	Ruled Line Alignment	Select Manual(Standard) if automatic alignment results are not satisfactory and you want to precisely align the print head using the printed adjustment patterns. Select Manual(Details) if automatic and standard manual alignment results are not satisfactory and you want to select custom settings according to specific print needs.
Advanced Paper Settings	Various options	See the Advanced Paper Settings table below.
Change Paper Type/Paper Size	Paper Type	Select a paper category and paper type.
	Paper Size	Select a paper size or select User-Defined if your desired size is not listed.

Advanced Paper Settings menu (in the **Poster Board** menu)

Setting	Options	Description
Confirm ICC Profile Name (available only on models with Adobe Embedded Print Engine)	—	The ICC profile name is displayed when using paper with custom paper settings.
Confirm Color Density (available only on models with Adobe Embedded Print Engine)	—	Displays the color density when using paper with custom paper settings (the ink density cannot be changed).

Setting	Options	Description
Paper Thickness	0.01 to 1.50 mm or 0.4 to 59.1 mil	Sets the thickness of the paper; displayed for custom paper settings.
Paper Suction	-3 to +3	Select to adjust the printer's suction setting; choose lower values for thinner papers.
Paper Size Check	On Off	Select On to detect the paper width when paper is loaded. Select Off if a paper setting error occurs when paper is correctly loaded.
Paper Feed Offset	-1.0 to 1.50	Select the amount of offset necessary to reduce banding on uneven color in printouts; displayed when using a custom paper type.
Restore Default Settings	—	Restores advanced media settings to their default values; not available with custom paper types.

Caution: If the **Paper Size Check** setting is set to **Off**, the printer may print beyond the edges of the paper, causing ink to get on the printer.

Parent topic: [Using the Control Panel Menus](#)

Related tasks

[Loading Roll 1/Roll Paper](#)


[Loading Roll 2 \(Dual Roll Models Only\)](#)

[Creating Custom Paper Settings](#)

Related topics

[Cutting Roll Paper](#)

Basic Settings Menu

Select  > **General Settings** > **Basic Settings** to customize various display and power settings.

Setting	Options	Description
LCD Brightness	1 to 9	Adjusts LCD screen brightness

Setting	Options	Description
Sounds	Button Press	Adjusts the volume of control panel sounds
	Paper Set	Adjusts the volume of load paper alerts
	Scanner Ready Notice (SureColor T5770DM/T7770DM only)	Adjusts the volume of scanner alerts
	Completion Notice	Adjusts the volume of print completion notification
	Error Tone	Adjusts the volume of error notifications
	Sound Type	Adjusts the type of control panel sounds
Inside Light	Auto Manual	Adjusts the behavior of the internal light Select Auto to turn the light on when a print job is running Select Manual to use the ☀ light icon on the LCD screen to turn the light on or off
Alert Lamp Notice	On Off	Enables or disables the alert lamp notice
Sleep Timer	1 to 120 minutes	Select the amount of time until the printer enters sleep mode
Wake from Sleep	Various settings	Allows you to set the method for waking from sleep mode
Power Off Timer	Various times Off	Select the amount of time until the printer turns off automatically (This feature may not be available depending on your region)

Setting	Options	Description
Power Off Settings	—	Select to turn the printer off automatically if it is not used for a specified period of time
Power Off If Disconnected	On Off	Select to turn the printer off after a specified period of time when all ports including the LINE port are disconnected (This feature may not be available depending on your region)
Circuit Breaker Interlock Startup	On Off	Select whether to turn the printer on or off when the circuit breaker switch is turned on
Date/Time Settings	Date/Time	Enter the date and time
	Daylight Saving Time	Select the daylight saving option
	Time Difference	Sets the time difference for coordinated universal time (UTC)
Language	Various languages	Select the language used on the LCD screen
Print Screen	Professional Simple	Switches the Home screen mode
Edit Home (SureColor T5770DM/T7770DM only)	Various options	Customizes the Home screen display
Operation Time Out	On Off	Select On to return to the Home screen after a few minutes of inactivity
Keyboard	Various options	Select the keyboard displayed on the LCD screen
Length Unit	m ft/in	Select the unit of length displayed on the LCD screen

Setting	Options	Description
Default Screen (Job/Status)	Job Status Log Printer Status	Selects the information shown by default on the Status screen Job Status is available only if the SSD unit is connected.

Parent topic: [Using the Control Panel Menus](#)

Related tasks

[Changing the LCD Screen Language](#)

[Selecting the Date and Time](#)

Printer Settings Menu

Select  > **General Settings** > **Printer Settings** to customize paper and printing options.

Setting	Options	Description
Paper Source Settings	Various options	See the Paper Source Settings table below
Custom Paper Setting	1 to 30	See the Custom Paper Setting table below

Setting	Options	Description
Auto Cleaning	On	<p>Select the option to automatically perform a print head check and cleaning when the printer turns on and before printing</p> <p>Select Standard to set a normal automatic cleaning</p> <p>Select Custom to set the timing and frequency of automatic cleaning from the following options:</p> <ul style="list-style-type: none"> • Nozzle Check Schedule: Sets whether to perform a nozzle check during printing or only after printing has finished • Nozzle Check Sensitivity: Adjusts the number of clogged nozzles that trigger a cleaning cycle • Nozzle Check Result Notice: Sets whether the printer reports if there are still clogged nozzles after automatic cleaning
	Off	Disables the print head checking and automatic cleaning
Printing Language*	USB Network	<p>Select the printing language to use for each connection mode</p> <p>Auto: select for most printing situations</p> <p>HP-GL/2: select if HP-GL/2 or HP RTL print data sent from a CAD application does not automatically switch the printing mode</p> <p>PS: select if PS print data does not automatically switch the printing mode (available only on models with Adobe Embedded Print Engine)</p>
Universal Print Settings*	Various options	See the Universal Print Settings table below
HP-GL/2 Unique Settings	Various options	See the HP-GL/2 Unique Settings table below

Setting	Options	Description
PS Menu (available only on models with Adobe Embedded Print Engine)	Various options	See the PS Settings table below
Reduce Edge Blurriness	On Off	Select On to reduce edge blurring in image outlines, text, and ruled lines
Memory Device Interface	Enable Disable	Select whether to enable or disable use of a memory device
Thick Paper	On Off	Select On to widen the platen gap to prevent scuffing if you are printing on thick paper
Bidirectional	On Off	Select On if you want the print head to move left and right during printing Select Off to decrease misalignment of ruled lines, but slow down printing
Print Nozzle Check Pattern During Print	Every Page Off	Sets whether to print a nozzle check pattern before the printer prints each page
Store Held Job (SureColor P6570E/T3770E only)	On Off	Message displayed when storage has been set
Use Production Stacker	Enable Disable	Select whether to enable or disable use of the optional production stacker Note: The production stacker option is currently unavailable.
PC Connection via USB	Enable Disable	Select whether to enable or disable access to the printer from a USB-connected computer
USB I/F Timeout Setting	20 to 600 seconds	Specifies the length of time before ending communication from a USB-connected computer; available only when the SSD unit is connected

Setting	Options	Description
Print while Scanning (SureColor T5770DM/T7770DM only)	On Off	Select On to scan while printing

*The **Printing Language** and **Universal Print Settings** menus can be locked by an administrator. If you cannot access or change these settings, contact your administrator for assistance.

Paper Source Settings

Setting	Options	Description
Roll Paper Setup	Auto Loading	Automatically feeds roll paper into the printer
	Roll 1 Function (not available on SureColor P6570E/T3770E)	Select Take-up to use Roll 1 for take-up, otherwise select Advance
	Roll Switching (not available on SureColor P6570E/T3770E)	Select Auto to automatically switch to the appropriate roll paper for a print job You can select settings for switching according to Paper Type , Paper Width , or Paper Length Select Roll 1 or Roll 2 when printing to prevent automatically switching the roll paper
	Print Job Priority (not available on SureColor P6570E/T3770E)	Displayed when the SSD unit is installed When Same Roll is selected, priority is given to print jobs that are suitable for the roll paper being fed. When Queued Order is selected, jobs are printed in the order in which they are received. Switch the roll paper according to the job you are printing.

Setting	Options	Description
Roll Paper Setup	Cut Settings	
	Auto Cut	Automatically cuts the roll paper after printing
	Print Cutting Guideline	Select On to print cut lines on roll paper (if Auto Cut is turned off)
	Wait for Cut Between Pages	Select On to pause before cutting pages after printing
	Cut for Borderless Print	Select Two Cuts to insert a margin and cut twice between pages, or One Cut to cut once between pages
	Quick Cut	Select On to cut once between pages while the next page is still printing
	Cut Mode	Select Quiet to reduce the speed and noise when cutting paper
	Margin Refresh	Select On to automatically remove ink stains from a previous borderless print by trimming the leading edge of the paper
	Roll End Option	Selects the action when roll paper runs out and you load more paper Continue: Prints the remaining data Stop Printing: Does not print the remaining data Reprint: Restarts the print job from the beginning; available only if the SSD unit is installed
Take-up After Cut (not available on SureColor P6570E/T3770E)	Select On to store the print on the Auto Take-up Reel (if installed) after cutting it off the roll	
Error Notice	Paper Size Notice Paper Type Notice Detect Paper Skew	Select On to display an error message when the output size or paper type settings differ between the driver and printer, or if the paper is skewed

Setting	Options	Description
Platen Gap Offset	Standard Wide Wider Widest	Adjusts the distance between the print head and the paper
Cut Sheet/ Poster Board Slot	Front Back	Select a location for loading cut sheets or poster board

Custom Paper Setting

You can select individual paper settings for each registered custom paper setting (in the **01 to 30** list).

Note: You cannot change individual paper settings for custom paper settings registered through the driver or other software.

Setting	Options	Description
Change Name	—	Use the on-screen keyboard to enter a name for the custom paper setting (this name is displayed in the Paper Type list)
Change Reference Paper	Various options	Select the media type for the paper closest to the one you are using
Advanced Paper Settings options		
Confirm ICC Profile (available only on models with Adobe Embedded Print Engine)	—	Displays the ICC profile name when using paper with custom paper settings
Confirm Color Density (available only on models with Adobe Embedded Print Engine)	—	Displays the color density when using paper with custom paper settings (the ink density cannot be changed)
Paper Thickness	0.01 to 1.50 mm or 0.4 to 59.1 mil	Select the thickness of the roll paper; displayed when using a custom paper type

Setting	Options	Description
Platen Gap	Auto 1.2 1.6 1.9 2.1 2.4	Select the distance between the print head and the paper; displayed only when using a custom paper type
Top/Bottom Margins	3 mm 15 mm 20 mm 45 mm	Select the margin for the leading edge of the printed image; depending on the paper type and printing environment, colors may be uneven near the leading edge if the margin is small
Paper Suction	-3 to +3	Adjusts the printer's suction setting for the selected source; choose lower values for thinner papers
Paper Size Check	On Off	Select On to detect the paper width when paper is loaded Select Off if a paper setting error occurs when paper is correctly loaded Note: If this setting is set to Off , the printer may print beyond the edges of the paper, causing ink to get on the printer.
Auto Cut	Follow Paper Source Settings Never Cut	Select Follow Paper Source Settings to automatically cut roll paper after each page is printed depending on the paper source settings Select Never Cut to cut paper manually
Roll Core Diameter	2-inch 3-inch	Set the paper core size for the loaded roll paper

Setting	Options	Description
Paper Eject Roller	Auto Use Do Not Use	Presses down on paper as it is ejected Select Use if the print head strikes the paper. If you are printing on glossy paper, select Do Not Use to avoid damaging the paper surface.
Paper Feed Offset	-1.0 to 1.50%	Select the amount of offset necessary to reduce banding on uneven color in printouts; displayed only when using a custom paper type
Delete	—	Deletes the registered custom paper setting

Universal Print Settings

Adjust these settings as necessary when printing in HP-GL/2 or HP RTL mode, or when using AirPrint.

Setting	Options	Description
Paper Source	Roll(Auto) Roll 1 (known as Roll on SureColor P6570E/T3770E) Roll 2 (not available on SureColor P6570E/T3770E) Cut Sheet Poster Board	Select the paper source from which you want to print
Print Quality	Standard Draft Speed Fine High Quality Max Quality	Select the print quality

Setting	Options	Description
Color Mode	Color B&W	Select the color you want for printing
Page Margins option	Clip By Margins	Adds the page margin value inside the hard clip area of the PS command of the data, or the size selected for the Base Output Size . Any print object in the margin area is clipped and not printed.
	Oversize	Adds the page margin value outside the hard clip area of the PS command of the data (when Auto is selected), or outside the size selected for the Base Output Size (when set to a standard size).
Page Margin	3 mm 5 mm	Select the top, bottom, left, and right margin values for roll paper. Note: Margins are 3 mm for cut sheets regardless of the setting.
Smoothing	On Off	Select On to print at the maximum resolution for the selected paper type. Note: This may result in longer printing time or insufficient memory errors.
Base Output Size	Various options	When Auto (default) is selected, the hard clip area of the PS command of the data becomes the base output size. Select User-Defined when printing in a custom size.
Resolution	Standard 300 dpi 600 dpi 1200 dpi	Select the print resolution; when Standard (default) is selected, available resolutions depend on the selected paper type

Setting	Options	Description
Select Target	Poster(Photo)/ Perspective (SureColor P-Series only)	Select desired settings
	Poster/Document (SureColor T-Series only)	
	GIS	
	CAD/Line Drawing	
	Off (No Color Management)	
Save To Optional storage unit (all models except for SureColor T5770DM/T7770DM)	Print And Save	Select settings for the optional SSD unit
	Print Only	
	Save Only	
Save to Storage (SureColor T5770DM/T7770DM only)	Print And Save	Select settings for the SSD unit
	Print Only	
	Save Only	

HP-GL/2 Unique Settings

Adjust these settings as necessary when printing in HP-GL/2 or HP RTL mode.

Setting	Options	Description
Rotate	0°	Rotate the coordinates of the drawn data counterclockwise before printing
	90°	
	180°	
	270°	
Origin Setup	Left Edge	Set the data coordinate origin
	Center	
Mirror Image	On	Select to horizontally flip the image using the center of the output size width as the basis line
	Off	Select to print without flipping the image

Setting	Options	Description
Line Merge	On	Select to merge the intersection of overlapping lines within the image according to the MC command of the data
	Off	Select to move lines to be printed later to the front at intersections
Select Target	Poster(Photo)/Perspective (SureColor P-Series only)	Select desired settings
	Poster/Document (SureColor T-Series only)	
	GIS	
	CAD/Line Drawing	
	Off (No Color Management)	
Select Palette	Software	Print according to the pen configurations set in the application and ignore the built-in printer palette
	Default	Print according to the built-in printer palette settings (logical pen with a pen width of 0.35 mm and 256 colors)
	Palette A Palette B	Print according to the built-in printer palette settings specified under Define Palette
Print Color Palette	Print	Print the colors of the palette selected in Select Palette
Define Palette	Palette A Palette B	Define a built-in palette by specifying the pen width and color for the various types of logical pens
Restore Default HP-GL/2 Unique Settings	No Yes	Select Yes to restore all HP-GL/2 unique settings to their defaults

PS Settings (available only on models with Adobe Embedded Print Engine)

Adjust these settings as necessary when printing PostScript data.

Setting	Options	Description
Version	—	Displays the PostScript/PDF version
CMYK Simulation	—	Select the CMYK colors you want to simulate when reproducing CMYK ink colors for an offset printer
RGB Source	—	Select the RGB color definition to simulate when printing RGB data
Rendering Intent	—	Selects how to convert color spaces for various simulations
Black Point Compensation	On Off	Set to Off to darken shadows when converting from a wide color space to a narrow color space
Preserve Black	On Off	Set to On to print the K-axis area using black ink when printing CMYK images
Auto Rotate	On Off	Set to On to automatically rotate print data 90° to the right based on image size and paper width
PS Error Sheet	On Off	Set to On to print the error message when a PostScript error occurs
Optimize Edge Quality	On Off	Set to On to improve image quality at the edges of your print. Reduces print speed and increases the margin on the leading edge by 1.4 inches (35 mm).
PDF Rendering Level	Levels 1 to 3	Normally, this is set to 3. Creates a PS that reproduces the PDF as closely as possible, but may not be printable. If this occurs, try lowering the rendering level to correct PDF printing errors (typical level is 3).
PDF Overprint Simulation	On Off	Set to On to print the image using transparent colors when printing with overprint settings
Clear All Settings	—	Restores the PS Settings to their default values

Parent topic: [Using the Control Panel Menus](#)

Related tasks

[Creating Custom Paper Settings](#)

[Printing CAD Drawings in HP-GL/2 or HP RTL Mode](#)

Network Settings Menu

Select  > **General Settings** > **Network Settings** to configure your printer's network settings.

Setting	Options	Description
Wi-Fi Setup	Connect via Wi-Fi	Displays the available Wi-Fi connection methods (Wi-Fi Setup Wizard , Push Button Setup(WPS) , Others)
Wi-Fi Direct	iOS	Select device and connection settings
	Android	
	Other OS Devices	
	Change	
Wired LAN Connection Method	—	Displays the status of the wired LAN connection
Network Status	Wired LAN/Wi-Fi Status	Displays current communication status and connection settings
	Wi-Fi Direct Status	Displays the number of connected devices and connection settings
	Email Server Status (SureColor T5770DM/T7770DM only)	Displays information about the email server settings
	Print Status Sheet	Prints the current network connection information
Connection Check	—	Confirms the network status. You can also print a connection check report.

Setting	Options	Description
Advanced	Various settings	Displays advanced information, such as TCP/IP settings. You can enable or disable other network settings.

Parent topic: [Using the Control Panel Menus](#)

Related topics

[Wi-Fi or Wired Networking](#)

Scan Settings Menu (SureColor T5770DM/T7770DM)

Select  > **General Settings** > **Scan Settings** to customize various scanning settings.

Setting	Options	Description
Confirm Recipient	On Off	Select On to check the recipients before scanning an original
Document Capture Pro Settings	Operation Mode	Select Client Mode or Server Mode
	Server Address	Set the server address
	Group Settings	Set up group settings
Email Server	Off	No email server set

Setting	Options	Description
Scan Options	Confirm Before Ejecting Scanned Document	Select On to hold the ejected original and display a removal confirmation screen after scanning
	Correct Skewed Image	Select On to automatically correct and save scanned images that are skewed
	Document Feed Adjustment	Adjust the length of the printed image if it is different from the scanned original. Select - to reduce the length of the printout, or + to increase the length. Differences in length may occur due to the type of paper.
	Image Stitching Smoother	Select On to correct color differences between stitched images. May cause blurred details on the border of stitched scan images. To correct blurriness, use the Image Stitching Adjustment setting and/or turn this setting off.
	Image Stitching Adjustment	Corrects misalignment in prints of scanned images
	Auto Remove Background	Select On to remove background from scanned image

Parent topic: [Using the Control Panel Menus](#)

Memory Device Settings Menu

You can select the following memory device settings.

Note: Settings may vary depending on the selected printer driver.

Setting	Options	Description
JPEG	Display order	Select the display order
	Basic Settings	See the Basic Settings table below
	Advanced	See the Advanced table below
PDF (available only on models with Adobe Embedded Print Engine)	—	Displayed when the Adobe Embedded Print Engine is enabled
Epson Scanned PDF (SureColor T5770DM/T7770DM only)	Display order	Select the display order
	Basic Settings	See the Basic Settings table below
	Advanced	See the Advanced table below
TIFF	Display order	Select the display order
	Basic Settings	See the Basic Settings table below
	Advanced	See the Advanced table below
HP-GL/2	Display order	Select the display order
	Basic Settings	See the Basic Settings table below
	Advanced	See the Advanced table below

Basic Settings

Setting	Options	Description
Paper Source	Roll(Auto) Roll 1 Roll 2 Cut Sheet Poster Board	Select the paper source

Setting	Options	Description
Color Mode	Black/White Color	Select the color mode to use when printing

Advanced

Setting	Options	Description
Print Quality	Draft Speed Fine High Quality Max Quality	Specify the print quality
Page Margins option	Clip By Margins	Adds the value selected for the page margin inside the size selected for the base output size
	Oversize	Adds the value selected for the page margin outside the size selected for the base output size (when set to a standard size)
	Borderless	Enlarges the print size slightly to print a borderless image on roll paper
Bidirectional	On Off	Select On to print in both directions, resulting in faster print speed but reduced accuracy

Setting	Options	Description
Select Target	Poster(Photo)/ Perspective (SureColor P-Series models only)	Prints posters and perspective drawings that use photos with natural colors
	Poster/Document (SureColor T-Series models only)	Prints posters with both text and illustrations with vivid colors
	GIS	Performs color correction when printing topographical maps
	CAD/Line Drawing	Performs color correction when printing CAD drawings and other line drawings
	Off (No Color Management)	Turns off color management in the printer
CMYK Simulation (available only on models with Adobe Embedded Print Engine)	—	Displayed when Adobe Embedded Print Engine is enabled; select the CMYK ink color you want to simulate when reproducing CMYK ink colors for an offset printer
RGB Source (available only on models with Adobe Embedded Print Engine)	—	Displayed when Adobe Embedded Print Engine is enabled; select the RGB color definition you want to simulate when printing RGB data
Rendering Intent (available only on models with Adobe Embedded Print Engine)	—	Displayed when Adobe Embedded Print Engine is enabled; select how to convert the color space when performing absolute colorimetric, relative colorimetric, perceptual, saturation CMYK simulation, and RGB simulation
Target Contents (available only on models with Adobe Embedded Print Engine)	—	Displayed when Adobe Embedded Print Engine is enabled; specify target contents as Standard, GIS, or Line Drawing

Setting	Options	Description
Reduce/Enlarge	Auto Fit Page	Displayed when Adobe Embedded Print Engine is enabled
	Custom Size	
	Actual Size	Select Auto Fit Page > On to fit the short edge of the image to the width of the paper Note: This setting is not available if paper is not loaded into the printer. Select Actual Size to print using the image size or select a different output size
	Specified Size	
Base Output Size	—	Select a base output size
File Storing (available only when the SSD unit is connected)	—	Set the storage space in which to save data printed from a memory device

Parent topic: [Using the Control Panel Menus](#)

Network Folder Menu

Basic Settings

Setting	Options	Description
Paper Source	Roll(Auto) Roll 1 Roll 2 Cut Sheet Poster Board	Select the paper source
Color Mode	Black/White Color	Select the color mode to use when printing


Advanced Settings

Setting	Options	Description
Common Settings	Print Quality	Select the print quality
	Bidirectional	Select On if you want the print head to move left and right during printing Select Off to decrease misalignment of ruled lines, but slow down printing
	File Storing	Save data printed from a folder to a specified storage space
HP-GL/2 Unique Settings	Page Margins option	Select Clip by Margins to add the page margin value inside the hard clip area of the PS command of the data, or the size selected for the Base Output Size . Any print object in the margin area is clipped and not printed. Select Oversize to add the page margin value outside the hard clip area of the PS command of the data (when Auto is selected), or outside the size selected for the Base Output Size (when set to a standard size).
	Select Target	Select desired settings
	Base Output Size	When Auto (default) is selected, the hard clip area of the PS command of the data becomes the base output size. Select User-Defined when printing in a custom size.

Setting	Options	Description
Except for HP-GL/2	Page Margins option	Select Clip by Margins to add the page margin value inside the hard clip area of the PS command of the data, or the size selected for the Base Output Size . Any print object in the margin area is clipped and not printed. Select Oversize to add the page margin value outside the hard clip area of the PS command of the data (when Auto is selected), or outside the size selected for the Base Output Size (when set to a standard size).
	Select Target	Select desired settings
	CMYK Simulation	Select the CMYK colors you want to simulate when reproducing CMYK ink colors for an offset printer
	RGB Source	Select the RGB color definition to simulate when printing RGB data
	Rendering Intent	Selects how to convert color spaces for various simulations
	Target Contents	Select the target file type
	Reduce/Enlarge	Select the zoom ratio for the scanned file

Parent topic: [Using the Control Panel Menus](#)

Storage Settings Menu

Select  **Storage** to configure settings for the SSD unit (included on SureColor T5770DM/T7770DM; optional for all other models).

Setting	Options	Description
Shared Folder Access Control	Access	Allows administrators to grant access to shared folders to specific users, or restrict shared folder access to administrators only.
	Operation Authority	
	Automatic Delete Setting Authority	Specify whether to Allow or Not Allow access control, then assign authority rights.

Setting	Options	Description
Shared Folder File Management	Automatic File Deletion	Select On to enable automatic file deletion
	Period Until Deletion	Select the time period for deletion in hours or days
	Apply to All Shared Folders	Applies the automatic deletion setting to all shared folders
Personal Folder File Management	Automatic File Deletion	Select On to enable automatic file deletion
	Period Until Deletion	Select the time period for deletion in hours or days
Additional Action	Delete File after Output	Select On to automatically delete a file after it is printed
	Access Control	Specify whether to Allow or Not Allow access control, then assign authority rights.
Search Options	Begins with	Allows you to set the search parameters for documents in the folder.
	Ends with	Searches for documents that end with a specific phrase
	Includes	Searches for documents that include a specific phrase
Access from WebConfig	Allowed	Select options for accessing Web Config
	Allowed when Logged in	
	Not Allowed	

Parent topic: [Using the Control Panel Menus](#)

User Settings Menu

Select  > **General Settings** > **User Settings** to customize various user settings.

Setting	Description
User Settings (all models except SureColor T5770DM/T7770DM)	Select the paper feed method and other options for printing from the folder; available only when a network folder is configured
User Settings (SureColor T5770DM/T7770DM only)	Select the settings for scanning, copying, and printing from the folder <ul style="list-style-type: none"> • Scan to Network Folder/FTP • Scan to Email • Scan to Memory Device • Scan to Storage • Copy Settings • Network Folder

Parent topic: [Using the Control Panel Menus](#)

System Administration Menu

Select  > **General Settings** > **System Administration** to configure security settings and update firmware.

Setting	Options	Description
Contacts Manager (SureColor T5770DM/T7770DM only)	Add/Edit/Delete	Lets you add, edit, or delete scanning email and network folder/FTP contacts.
	Frequent	Registers frequently used contacts for easy access.
	Print Contacts	Prints a list of all contacts, email contacts, or network folder/FTP contacts.
	View Options	Selects whether to display contacts in Tile View or List View .
	Search Options	Determines the criteria to use when searching for contacts.

Setting	Options	Description
Security Settings	Restrictions	See the Restrictions table below.
	Access Control	Allows administrators to grant access to functions to specific user accounts. Accounts must be set up in advance through the Web Config interface. See the <i>Administrator's Guide</i> for instructions on creating user accounts.
	Accept Unknown User Jobs	Set to On to allow print jobs from unknown users.
	Admin Settings	Lets you add or change the administrator password. If you choose to add a password, set the Lock Setting to On to enable password entry for certain features and settings.
	Password Encryption	Sets an encryption key; select Encryption Key Backup to back up the encryption key.
	Audit Log	Select On to save a notification log.

Setting	Options	Description
Format the Optional Storage Unit (available on all models except SureColor T5770DM/T7770DM)	—	Displayed when the SSD unit is connected. Secure (Quick): Uses a text pattern to randomly overwrite the entire hard disk. Secure (Sanitizing): Overwrites and checks 00/FF/random data using an algorithm that complies with the U.S. Department of Defense Standards (DoD5220-22m). This option takes longer than the others to finish formatting, however it does provide the securest method of erasing data. Select this when you need to erase confidential data.
Format the Storage (SureColor T5770DM/T7770DM only)		
Disable the Optional Storage Unit (available on all models except SureColor T5770DM/T7770DM)	—	Displayed when the optional SSD unit is connected; select to remove the SSD unit.
Restore Default Settings	Network Settings	Select Yes to restore all network settings to their defaults.
	Copy Settings (SureColor T5770DM/T7770DM only)	Select Yes to restore all copy settings to their defaults.
	Scan Settings (SureColor T5770DM/T7770DM only)	Select Yes to restore all scan settings to their defaults.
	Clear All Data and Settings	Select Yes to restore all settings to their defaults (except date/time, length unit, and language settings).
Firmware Update	Update	Updates to the latest firmware.

Restrictions

When **Lock Setting** is enabled, the following settings can be enabled or disabled individually.

Setting	Description
Job log access	Allow users to view the job log.
Access to Register/Delete Contacts	Allows users to register new contacts or edit and delete existing contacts.
Access to Recent of Scan to Email	Controls the display of the recent Scan to Email entries.
Access to Show Sent History of Scan to Email	Controls the display of the Scan to Email history list of entries.
Access to Language	Allows users to change the display language on the control panel.
Access to Thick Paper	Allows users to access the Thick Paper settings.
Protection of Personal Data	Controls the display of potentially sensitive contact information (such as IP addresses) for non-administrators. When enabled, displays hidden information as ****.


Parent topic: [Using the Control Panel Menus](#)

Related tasks

[Setting a Password and Locking the Control Panel](#)

[Accessing the Web Config Utility](#)

Maintenance Menu

Select  > **Maintenance** to run nozzle checks, cleaning cycles, and other maintenance operations.

Caution: Follow the instructions in the topic links below the table to use these menu settings correctly.

Setting	Description
Print Head Nozzle Check	Prints a nozzle check pattern so you can check for clogged nozzles
Print Head Cleaning	Perform if the nozzle check pattern has faint or missing areas

Setting	Description
Power Cleaning*	Perform if the nozzle check pattern still has faint or missing areas after performing a head cleaning three times in a row
Remove Paper	Removes any scraps of paper remaining inside the printer
Ink Cartridge(s) Replacement	Displays the amount of ink remaining and the model number for the ink cartridge Select How To... to view the replacement procedure on the LCD screen.
Replace Maintenance Box	Displays the amount of free space remaining and the model number of the selected maintenance box Select How To... to view the replacement procedure on the LCD screen.
Replace Auto Cutter Blade	Select How To... to view the replacement procedure on the LCD screen.
Adjust Cut Position	Adjust the position of the cutter between -3.0 to 3.0 mm
Cleaning the Maintenance Parts	Select Wiping the Print Head to manually clean the print head or Wiping around the Cap to manually clean the area around the caps and press Start to move the print head to the cleaning position.
Keeping Preparation*	Perform if you are transporting or storing the printer in 14°F (-10°C) or lower temperatures. Follow the prompts to eject the ink. The printer turns off automatically after the procedure.

*The **Power Cleaning** and **Keeping Preparation** settings can be locked by an administrator. If you cannot access or change these settings, contact your administrator for assistance.

Parent topic: [Using the Control Panel Menus](#)

Related tasks

[Checking the Nozzles Using the Product Control Panel](#)

[Cleaning the Print Head Using the Product Control Panel](#)

[Discharging Ink](#)

[Replacing the Cutter](#)

[Removing and Installing Ink Cartridges](#)

[Replacing the Maintenance Box](#)

[Replacing the Borderless Maintenance Boxes](#)
[Running a Power Cleaning Using the Product Control Panel](#)
[Wiping Around the Print Head](#)
[Cleaning the Print Head Cap Area](#)

Printer Status Menu

Select  > **Printer Status/Print** to view current printer and network settings.

Setting	Description
Print Status Sheet	Prints a summary of current printer settings
Firmware Version	Displays the firmware version for the printer and any optional accessories connected to it
Optional storage unit (available on all models except for SureColor T5770DM/T7770DM)	Displays the connection status for the SSD unit
Storage (SureColor T5770DM/T7770DM models only)	
Adobe PS3 Expansion Unit (available only on models with Adobe Embedded Print Engine)	Displays the connection status for the Adobe Embedded Print Engine
Platen Gap Value for Last Print Job	Prints the current network connection information
Network	Displays current communication status and connection settings for wired, Wi-Fi, and Wi-Fi Direct. You can also print a Status Sheet.
Fatal Error Log	Displays the codes and dates for past printer errors
Operation Report	Check operation reports from the total amount of fed media or the total number of carriage passes
Custom	Make custom settings for scanning, copying, and printing from folders

Setting	Description
User Settings (available on all models except for SureColor T5770DM/T7770DM)	Select the paper feed method and other options for printing from the folder; available only when a network folder is configured
Authentication Device Status	Displays the connection status of the authentication device; available only when an authentication device is configured
Epson Open Platform Information	Displays the Epson Open Platform version and product key; available only when Open Platform is configured

Parent topic: [Using the Control Panel Menus](#)

Replacing Consumables

When the ⚠ notification icon appears above an ink color on the LCD screen, the ink color is low or expended. If one of the installed ink cartridges or ink supply units (ink packs) is expended, printing cannot be performed until the expended ink is replaced. If an ink cartridge or ink pack is expended while printing, the print job will stop and you can continue printing after replacing the ink.

If you proceed to print with an ink cartridge or ink pack that is running low, you may be required to replace the ink while the print job is still in progress. If you have to install a new ink cartridge or ink pack during a print job, colors in your printout may look different depending on how the ink dries. To avoid this, Epson recommends that you replace any low ink cartridges or ink packs with new ones before printing large jobs. The removed ink can be reinstalled later and used until the remaining ink is expended.

The maintenance box stores ink that gets flushed from the system during print head cleaning. If a message appears or the ⚠ notification icon appears above a maintenance box icon on the LCD screen, the amount of available space in the maintenance box is low. When a maintenance box is full, you need to replace it.

Note: Please dispose of your used Epson branded ink cartridges and maintenance boxes responsibly and in accordance with local requirements. If you would like to return your used ink cartridges and maintenance boxes to Epson for proper disposal, please go to [epson.com/recycle](https://www.epson.com/recycle) for more information.

[Ink Safety Precautions](#)

[Check Ink and Maintenance Box Status](#)

[Purchase Epson Ink and Maintenance Box](#)

[Removing and Installing Ink Cartridges](#)

[Removing and Installing Ink Supply Units \(Ink Packs\)](#)

[Replacing the Maintenance Box](#)

[Replacing the Borderless Maintenance Boxes](#)

Ink Safety Precautions

Follow these guidelines as you handle the ink and maintenance boxes.

Ink Cartridge Handling Precautions

- Keep ink cartridges out of the reach of children and do not drink the ink.
- When using the installation ink cartridges included with the printer, most of the ink is consumed during initial ink charging. Be sure to have replacement cartridges handy.

- Store ink cartridges at room temperature, out of direct sunlight, and use them before the expiration date printed on the packaging.
- Allow ink cartridges that have been stored at low temperatures for an extended period of time to return to room temperature over a period of four hours.
- To ensure print quality, use ink cartridges within one year of installing them.
- Epson recommends that you remove and shake the installed ink cartridges once every six months to ensure good print quality.
- Do not shake the ink cartridges too hard, otherwise ink may leak.
- The green IC chip on each ink cartridge retains a variety of cartridge-related information, such as the ink cartridge status, so that the cartridge may be removed and reinserted freely. Do not touch the green IC chip on the ink cartridges. This may prevent normal operation and printing.
- Install ink cartridges in all the ink cartridge slots. You cannot print if any of the slots are empty.
- Do not leave the printer without ink cartridges installed. The ink in the printer will dry out and the printer will not function as expected. Leave ink cartridges in all slots even when you are not using the printer.
- If you remove an ink cartridge for later use, protect the ink supply area from dirt and dust and store it in the same environment as the product. Note that there is a valve in the ink supply port, making covers or plugs unnecessary, but care is needed to prevent the ink from staining items that the cartridge touches. Do not touch the ink cartridge ink supply port or surrounding area.
- Dried ink on the supply port may cause ink leaks when the cartridge is reinserted and used. Wipe off any excess ink before reinserting.
- Do not dismantle or alter ink cartridges. This could damage the print head and may prevent the product from printing properly.
- Do not drop ink cartridges or subject them to impacts, otherwise ink may leak.
- The ink cartridges may contain recycled materials; this does not affect printer functions or performance.
- To maintain the quality of the print head, this product stops printing before ink cartridges are completely expended.
- If ink gets on your skin, wash it thoroughly with soap and water. If ink gets into your eyes, flush them immediately with water. If discomfort or vision problems persist, see a doctor immediately. If ink gets into your mouth, spit it out and see a doctor right away.
- Epson's warranties do not extend to any damage caused by the use of third-party ink or ink not designed for your printer.

Ink Supply Unit (Ink Pack) Handling Precautions

- Keep ink packs out of the reach of children. Do not allow children to drink from or handle the ink packs.
- Store ink packs at room temperature out of direct sunlight.
- To ensure print quality, Epson recommends using ink packs either within one year of installing them, or before the expiration date printed on the packaging, whichever occurs first.
- Allow ink packs that have been stored at low temperatures for an extended period of time to return to room temperature over a period of four hours.
- The green IC chip on each ink pack retains a variety of ink-related information, such as the ink level, so that the pack may be removed and reinserted freely. Do not touch the green IC chip on the ink packs. This may prevent normal operation and printing.
- Install ink packs for all colors. You cannot print unless all colors are installed.
- Do not leave the printer without ink packs installed. The ink in the printer will dry out and the printer will not function as expected. Leave ink packs for all colors installed even when the printer is not in use.
- If you remove an ink pack for later use, protect the ink supply area from dirt and dust and store it in the same environment as the product. Note that there is a valve in the ink supply port, making covers or plugs unnecessary, but care is needed to prevent the ink from staining items that the ink pack touches. Do not touch the ink supply port or surrounding area.
- Dried ink on the supply port may cause ink leaks when the ink pack is reinserted and used. Wipe off any excess ink before reinserting.
- Do not dismantle or alter ink packs. This could damage the print head and may prevent the product from printing properly.
- Do not drop ink packs or subject them to impacts, otherwise ink may leak.
- The ink packs may contain recycled materials; this does not affect printer functions or performance.
- To maintain the quality of the print head, this product stops printing before ink packs are completely expended.
- If ink gets on your skin, wash it thoroughly with soap and water. If ink gets into your eyes, flush them immediately with water. If discomfort or vision problems persist, see a doctor immediately. If ink gets into your mouth, spit it out and see a doctor right away.
- Be careful not to touch any ink when you handle the ink packs.
- Even when the printer is not in use, some ink will be consumed for all colors by head cleaning and other maintenance operations needed to keep the head in good condition.
- If ink spills, wipe it up immediately. To prevent the ink from spreading, blot the spill with a dry cloth, then wipe it with a damp cloth. The ink will be hard to remove once it has dried.

Maintenance Box Safety Precautions

- Keep maintenance boxes out of the reach of children. Do not allow children to drink from or handle the maintenance boxes.
- Do not reuse maintenance boxes that have been removed from the printer and exposed to the air for a long period of time. The box will not absorb any more ink.
- Do not disassemble the maintenance box; otherwise ink may get into your eyes or on your skin.
- Do not touch the chip on the side of the maintenance box or you may prevent normal operation and printing.
- Be careful not to touch any ink when you handle the maintenance boxes.
- If ink gets on your skin, wash it thoroughly with soap and water. If ink gets into your eyes, flush them immediately with water. If discomfort or vision problems persist, see a doctor immediately. If ink gets into your mouth, spit it out and see a doctor right away.
- Do not replace the maintenance box while printing, otherwise ink may leak.

Parent topic: [Replacing Consumables](#)

Check Ink and Maintenance Box Status

Your product and its software will let you know when an ink cartridge or ink supply unit (ink pack) is low or expended, or when a maintenance box needs to be replaced.


[Checking Ink and Maintenance Box Status on the LCD Screen](#)

[Checking Ink and Maintenance Box Status with Windows](#)

[Checking Ink and Maintenance Box Status - Mac](#)

Parent topic: [Replacing Consumables](#)

Checking Ink and Maintenance Box Status on the LCD Screen

You can check the status of the ink cartridges or ink packs and maintenance boxes from the product control panel. If the  icon appears on an ink color or a maintenance box, you need to replace it soon.

1. Press the  home button, if necessary.

2. Check the ink color icons at the bottom of the home screen.



Note: The displayed ink and maintenance box levels are approximate.

Note: The appearance of the screen may differ from the one shown, depending on your model.

Parent topic: [Check Ink and Maintenance Box Status](#)

Related tasks



[Removing and Installing Ink Cartridges](#)

[Replacing the Maintenance Box](#)

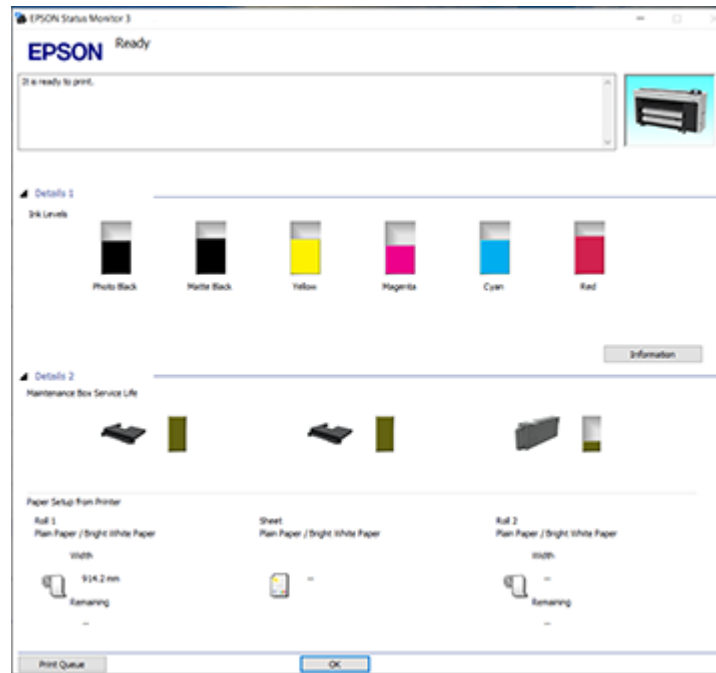
[Replacing the Borderless Maintenance Boxes](#)

Checking Ink and Maintenance Box Status with Windows

You can check your ink or maintenance box status at any time using a utility on your Windows computer.

1. To check your status, access the Windows Desktop and click the  icon for your product in the right side of the Windows taskbar, or click the up arrow and click . Then click your product name.

You see a screen like this:



Note: The appearance of the screen may differ from the one shown, depending on your model and driver version.

2. Replace or reinstall the ink color or maintenance box as indicated on the screen.

Note: If any of the inks installed in the product are broken, incompatible with the product model, or improperly installed, Epson Status Monitor will not display an accurate ink status.

Parent topic: [Check Ink and Maintenance Box Status](#)

Related tasks

[Removing and Installing Ink Cartridges](#)

[Replacing the Maintenance Box](#)

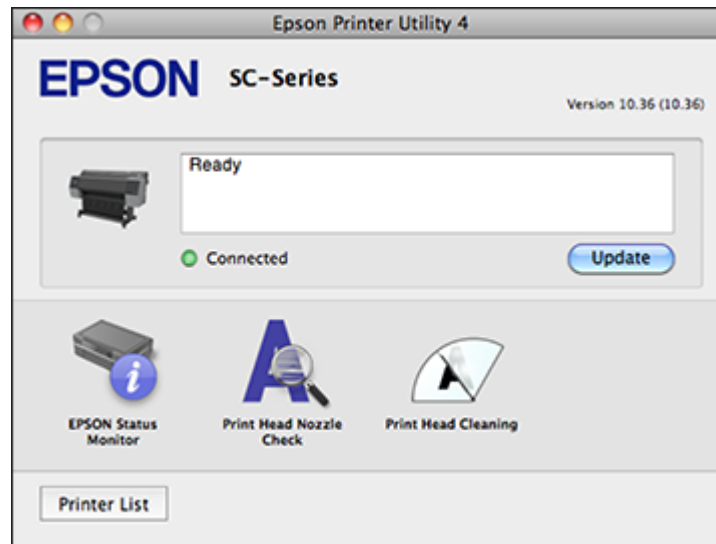
[Replacing the Borderless Maintenance Boxes](#)

Checking Ink and Maintenance Box Status - Mac

You can check the status of your ink and maintenance boxes using a utility on your Mac.

1. In the Apple menu or the Dock, select **System Preferences** or **System Settings**. Select **Print & Fax**, **Print & Scan**, or **Printers & Scanners**, select your product, and select **Options & Supplies**. Select **Utility** and select **Open Printer Utility**.
2. Select **EPSON Status Monitor**.

You see this window:



3. Do the following as necessary:
 - You can update the ink and maintenance box status by clicking **Update**.
 - Replace or reinstall the maintenance box or any ink color as indicated on the screen.

Note: If any of the inks installed in the product are broken, incompatible with the product model, or improperly installed, Epson Status Monitor will not display an accurate ink status.

Parent topic: [Check Ink and Maintenance Box Status](#)

Related tasks

[Removing and Installing Ink Cartridges](#)

[Replacing the Maintenance Box](#)
[Replacing the Borderless Maintenance Boxes](#)

Purchase Epson Ink and Maintenance Box

U.S. and Canada:

You can purchase genuine Epson ink, maintenance boxes, and paper at epson.com (U.S. sales) or epson.ca (Canadian sales). You can also purchase supplies from an Epson authorized reseller. To find the nearest one, call 800-GO-EPSON (800-463-7766) in the U.S. or 800-807-7766 in Canada.

Latin America:

You can purchase genuine Epson ink, maintenance boxes, and paper from an Epson authorized reseller. To find the nearest reseller, visit latin.epson.com or call your nearest Epson sales office.

Note: This product is designed to work with genuine Epson inks. Non-Epson ink or any other ink not specified for this printer could cause damage not covered by Epson's warranties.

[Ink and Maintenance Box Part Numbers](#)

Parent topic: [Replacing Consumables](#)

Related references

[Where to Get Help \(U.S. and Canada\)](#)

[Where to Get Help \(Latin America\)](#)

Ink and Maintenance Box Part Numbers

Use the part numbers shown for your model when you order or purchase a new ink cartridge, ink pack, or maintenance box.

Note: This product is designed to work with genuine Epson inks. Non-Epson ink or any other ink not specified for this printer could cause damage not covered by Epson's warranties.

Ink Cartridges

Ink color	110 ml	350 ml	700 ml
SureColor P6570D/P6570DE/P6570E/P8570D			
Photo Black	T49A120	T48S120	T48L120
Cyan	T49A220	T48S220	T48L220

Ink color	110 ml	350 ml	700 ml
Magenta	T49A320	T48S320	T48L320
Yellow	T49A420	T48S420	T48L420
Matte Black	T49A820	T48S820	T48L820
Gray	T49AE20	T48SE20	T48LE20
SureColor T3770D/T3770DE/T3770E/T5770D/T5770DM/T7770D/T7770DM			
Photo Black	T51A120	T50S120	T50L120
Cyan	T51A220	T50S220	T50L220
Magenta	T51A320	T50S320	T50L320
Yellow	T51A420	T50S420	T50L420
Matte Black	T51A820	T50S820	T50L820
Red	T51AF20	T50SF20	T50LF20

Ink Supply Units (Ink Packs)

Ink color	1600 ml
SureColor P8570DL	
Photo Black	T53E120
Cyan	T53E220
Magenta	T53E320
Yellow	T53E420
Matte Black	T53E820
Gray	T53E720
SureColor T7770DL	
Photo Black	T52Y120
Cyan	T52Y220
Magenta	T52Y320
Yellow	T52Y420

Ink color	1600 ml
Matte Black	T52Y820
Red	T52Y920


Maintenance box part number: C13S210115

Borderless maintenance box part number: C13S210116

Parent topic: [Purchase Epson Ink and Maintenance Box](#)

Removing and Installing Ink Cartridges

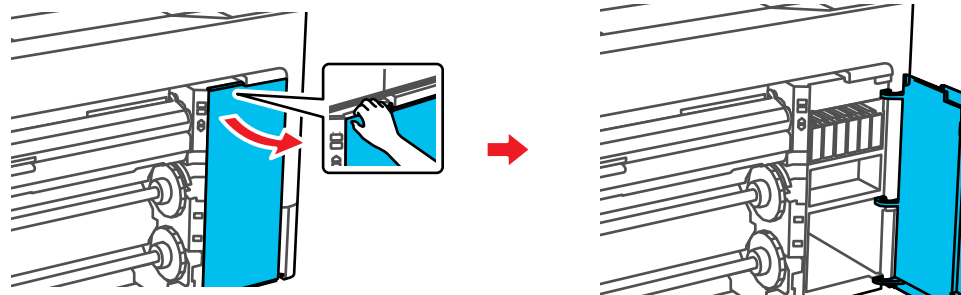
Make sure you have your replacement cartridges handy before you begin. You must install new cartridges immediately after removing the old ones. Replace all expended ink cartridges. You cannot print if any of the ink cartridges are expended or any ink slots are empty.

Note: You can view the replacement procedure on the LCD screen. Select  > **Maintenance** > **Ink Cartridge(s) Replacement** > **How To...**

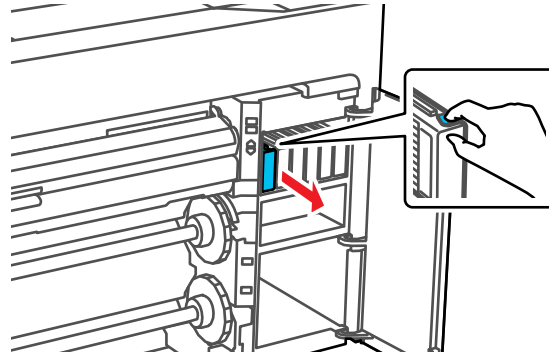
Note: This product is designed to work with genuine Epson inks. Non-Epson ink or any other ink not specified for this printer could cause damage not covered by Epson's warranties.

For SureColor
P6570D/P6570DE/P6570E/P8570D/T3770D/T3770DE/T3770E/T5770D/T5770DM/T7770D/T7770DM
models only.

1. Turn on your product.
2. Open the ink cover.



3. Place your finger in the groove at the top of the ink cartridge and pull it out.



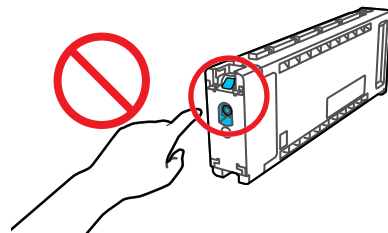
Note: Used ink cartridges may have ink around the ink supply port, so be careful not to get any ink on the surrounding area when removing the cartridges. Dispose of used cartridges carefully. Do not take the used cartridge apart or try to refill it.

Warning: If ink gets on your skin, wash it thoroughly with soap and water. If ink gets into your eyes, flush them immediately with water. If ink gets into your mouth, spit it out and see a doctor right away. Keep ink cartridges out of the reach of children.

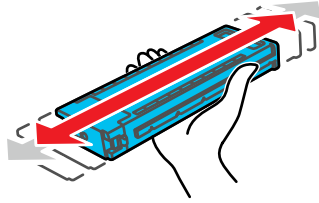
4. Remove the new cartridge from the package.



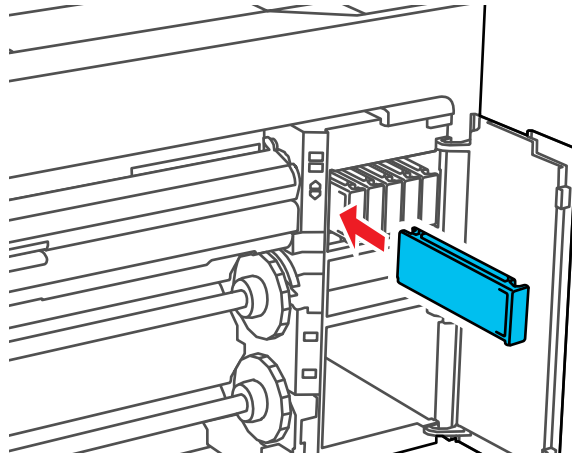
Caution: Do not touch the areas on the ink cartridge shown below.



5. Gently shake the cartridge for 10 seconds, or about 30 times, in approximately 4 inch (10 cm) horizontal movements.



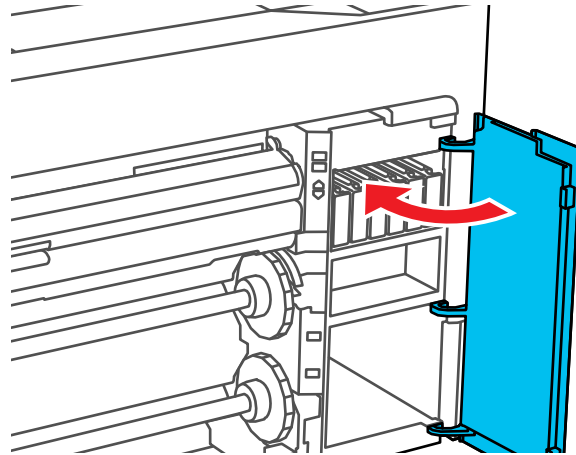
6. Insert the new cartridge into the corresponding ink slot and push it in firmly.



7. Repeat the above steps for any other cartridge that needs to be replaced.

Note: Make sure to install ink cartridges into all slots. You cannot print if any of the slots are empty.

8. Close the ink cover.



Your product begins charging the ink delivery system. A message appears on the LCD screen when ink replacement is complete.

Note: Do not open any covers or turn off the product during ink charging.

Caution: If you remove an ink cartridge for later use, protect the ink supply area from dirt and dust and store it in the same environment as the printer. The valve in the ink supply port is designed to contain any excess ink, but do not touch the ink supply port or surrounding area. Always store ink cartridges with the label facing up; do not store cartridges upside-down.

Parent topic: [Replacing Consumables](#)

Related concepts

[Purchase Epson Ink and Maintenance Box](#)

Related references


[Optional Equipment and Replacement Parts \(U.S./Canada\)](#)

[Optional Equipment and Replacement Parts \(Latin America\)](#)

Removing and Installing Ink Supply Units (Ink Packs)

Make sure you have your replacement ink packs handy before you begin. You must install new ink packs immediately after removing the old ones. Replace all expended ink packs. You cannot print if any of the ink packs are expended or any ink slots are empty.

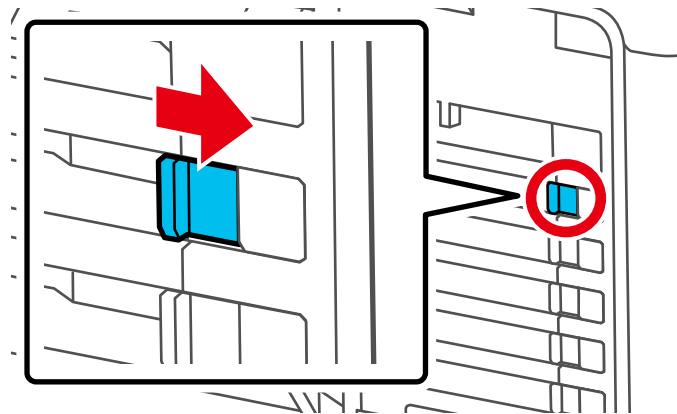
Caution: Keep the ink packs out of the reach of children and do not drink the ink.

Note: To view the replacement procedure on the LCD screen, select  > **Maintenance** > **Ink Cartridge(s) Replacement** > **How To...**

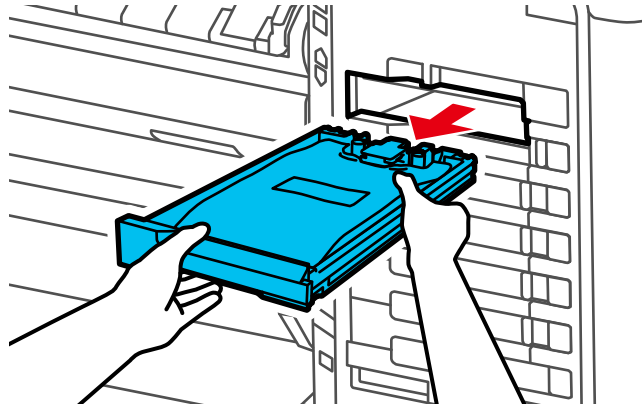
Note: This product is designed to work with genuine Epson inks. Non-Epson ink or any other ink not specified for this printer could cause damage not covered by Epson's warranties.

For SureColor P8570DL/T7770DL models only.

1. Turn on your product.
2. Slide the lock switch to the right to unlock the ink tray.



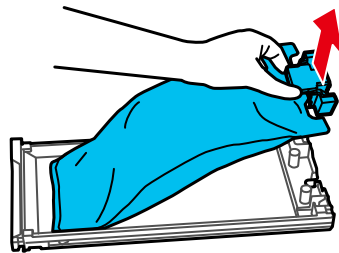
3. Pull the ink tray out of the ink slot with both hands.



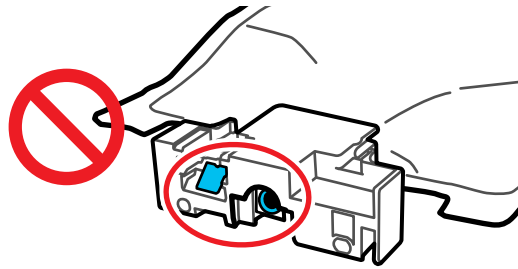
Note: Used ink packs may have ink around the ink supply port, so be careful not to get any ink on the surrounding area when removing the ink packs. Dispose of used ink packs carefully. Do not take the used ink pack apart or try to refill it.

Warning: If ink gets on your skin, wash it thoroughly with soap and water. If ink gets into your eyes, flush them immediately with water. If ink gets into your mouth, spit it out and see a doctor right away. Keep ink cartridges out of the reach of children.

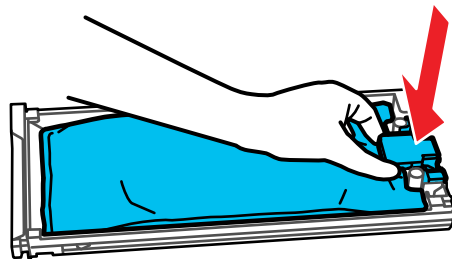
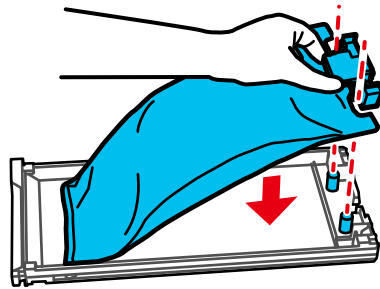
4. Lift the expended ink pack out of the tray.



Caution: Do not touch the areas on the ink pack shown below.

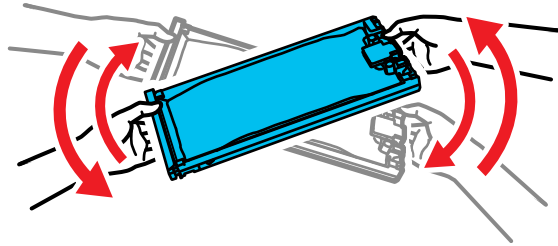


5. Insert the new ink pack into the tray and push it down as shown.

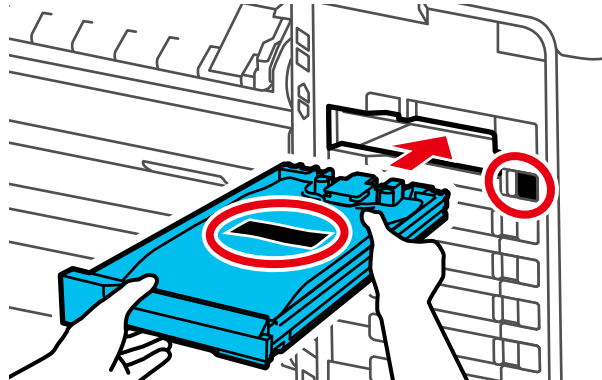


Caution: Make sure the ink pack fits onto the pegs and is aligned with the top of the tray.

6. While the ink pack is in the tray, carefully shake it by tilting it up and down at about a 60 degree angle for approximately 10 seconds, or about 10 times.

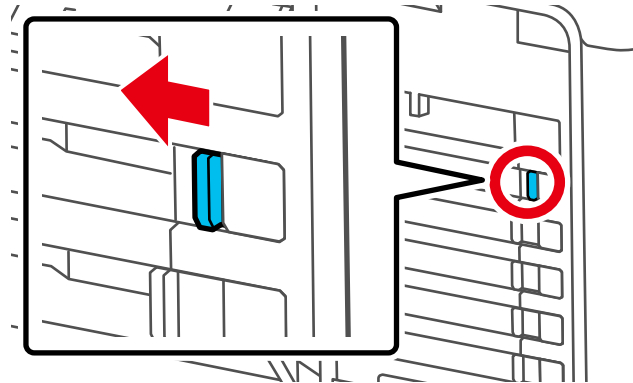


7. Match the color on the ink pack label with the color slot on the printer, then insert the ink tray into the slot and push it in firmly.



Note: The ink packs are keyed to fit into the correct color slot. If you cannot insert the ink tray all the way, do not force it. Make sure the ink pack color matches the color slot on the printer.

8. Slide the lock switch to the left to lock the ink tray.



9. Repeat the above steps for any other ink pack that needs to be replaced.

Note: Install ink trays in all of the slots. You cannot print if any of the slots are empty.

10. Follow the instructions on the LCD screen to begin ink charging.

Your product begins charging the ink delivery system. A message appears on the LCD screen when ink replacement is complete.

Note: Do not turn off the printer, load paper, or open any covers while the printer is charging or you'll waste ink.

Parent topic: [Replacing Consumables](#)

Replacing the Maintenance Box

The maintenance box stores ink that gets flushed from the system during maintenance operations such as head cleaning. Replace the maintenance box when you see a message on the LCD screen.

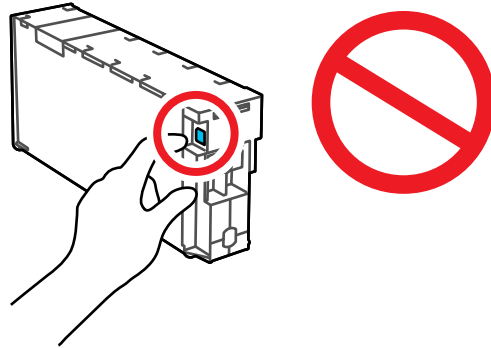
Note: Do not replace the maintenance box while printing, otherwise ink may leak.

1. Check the LCD screen to determine which maintenance box needs to be replaced.

Note: To view the replacement procedure on the LCD screen, press  > **Maintenance** > **Replace Maintenance Box** > **Maintenance Box** > **How To...**

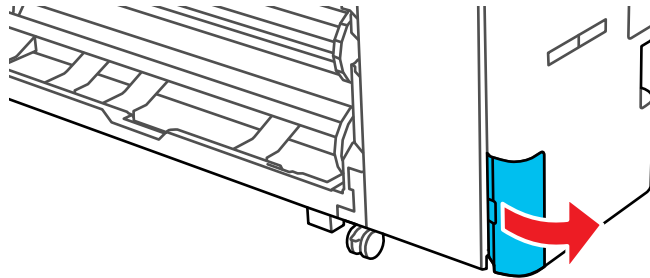
2. Remove the new maintenance box from the package.

Caution: Do not touch the chip on the side of the maintenance box or you may prevent normal operation and printing.

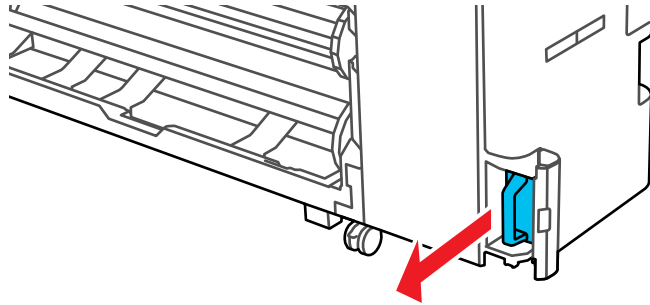


Note: Do not reuse a maintenance box you have removed from the printer and exposed to air for a long period of time. The box will not absorb any more ink.

3. Open the maintenance box cover.

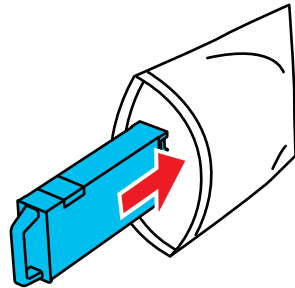


4. Use the handle on the maintenance box to carefully pull it out of the product without tilting the box.



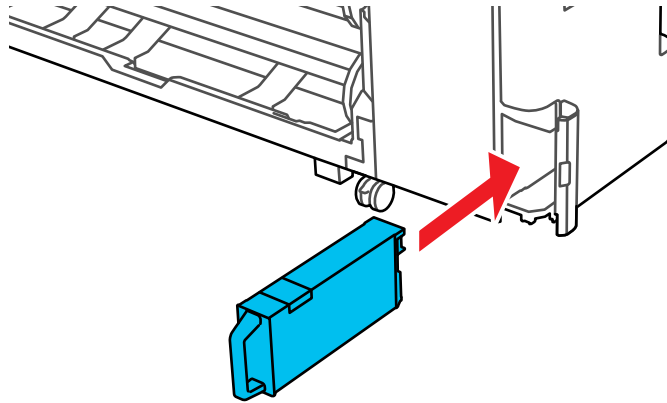
Warning: If ink gets on your skin, wash it thoroughly with soap and water. If ink gets into your eyes, flush them immediately with water. If ink gets into your mouth, spit it out and see a doctor right away.

5. Place the used maintenance box in the bag supplied with the new box and seal the bag.



Note: Do not tilt the maintenance box until the bag is firmly sealed, otherwise ink may leak.

6. Insert the new maintenance box in the slot and push it in firmly.



7. Close the maintenance box cover.



Note: Dispose of the used maintenance box carefully.

Parent topic: [Replacing Consumables](#)

Related concepts

[Purchase Epson Ink and Maintenance Box](#)

Related references

[Optional Equipment and Replacement Parts \(U.S./Canada\)](#)

[Optional Equipment and Replacement Parts \(Latin America\)](#)

Replacing the Borderless Maintenance Boxes

The borderless maintenance boxes absorb ink during borderless printing. When you see a message on the LCD screen, replace the borderless maintenance box indicated.

Note: Do not replace the borderless maintenance box while printing, otherwise ink may leak.

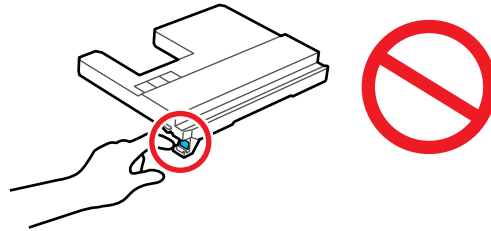
Note: The illustrations in this section may differ slightly from your product, but the steps are the same unless noted otherwise.

1. Check the LCD screen to determine which maintenance box needs to be replaced.

Note: To view the replacement procedure on the LCD screen, press  > **Maintenance** > **Replace Maintenance Box** > **Borderless Maintenance Box** > **How To...**

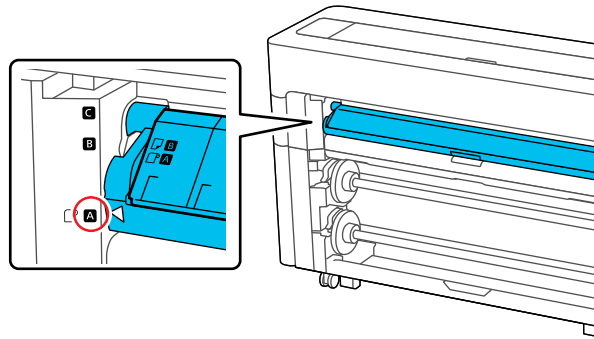
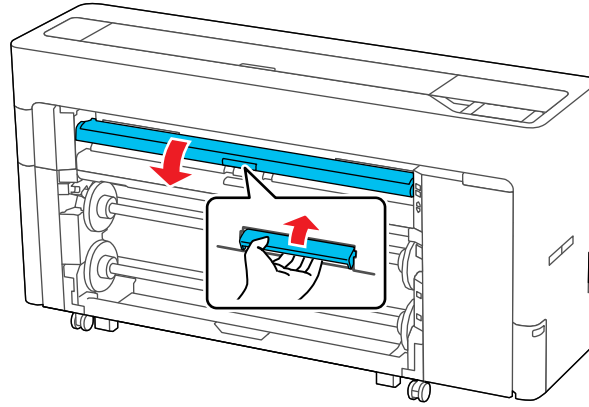
2. Remove the new borderless maintenance box from the package.

Caution: Do not touch the chip on the borderless maintenance box or you may prevent normal operation and printing.

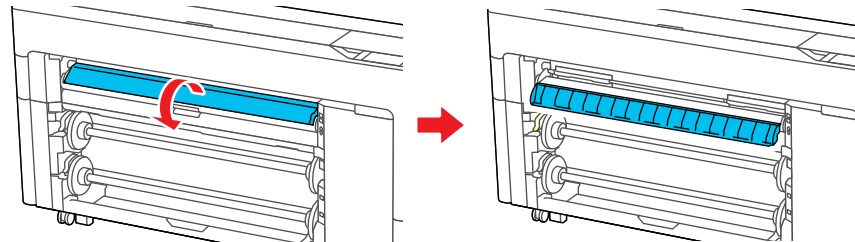


Note: Do not reuse a borderless maintenance box you have removed from the printer and exposed to air for a long period of time. The box will not absorb any more ink.

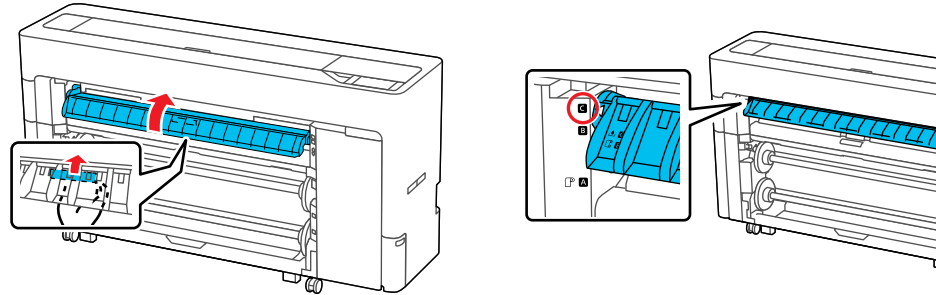
3. Lift up the paper support lock lever, then move the paper support down to position **A** (the lowest position) as shown.



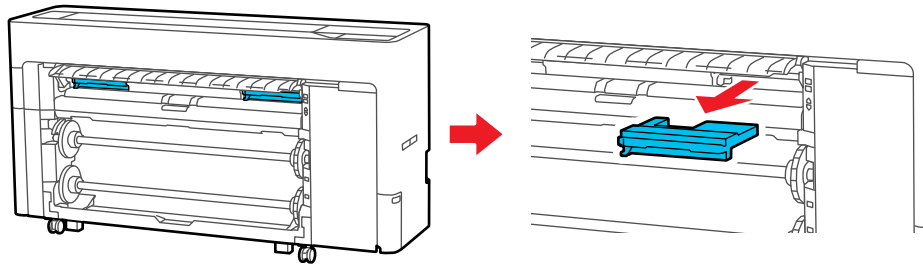
4. Extend the paper output flap as shown.



5. With the paper output flap extended, lift up the paper support lock lever, then move the paper support up to position **C** (the highest position) as shown.

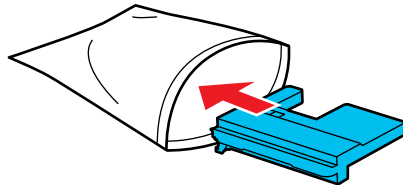


6. Pull out the borderless maintenance box carefully without tilting it.



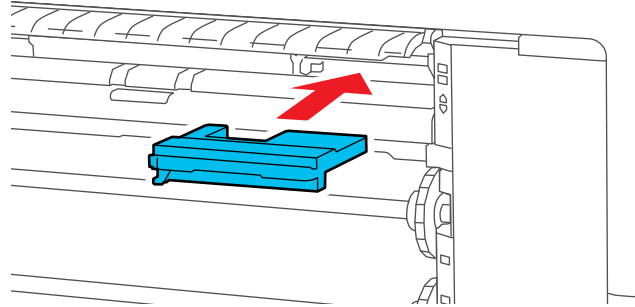
Note: The location of the borderless maintenance box varies slightly depending on the model.

7. Place the used borderless maintenance box in the bag supplied with the new box and seal the bag.

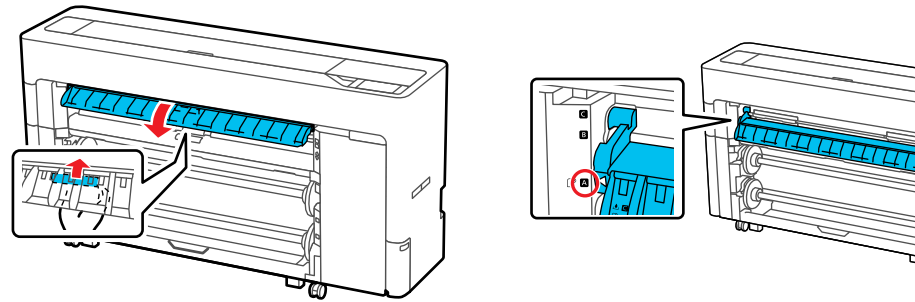


Note: Do not tilt the borderless maintenance box until the bag is firmly sealed, otherwise ink may leak.

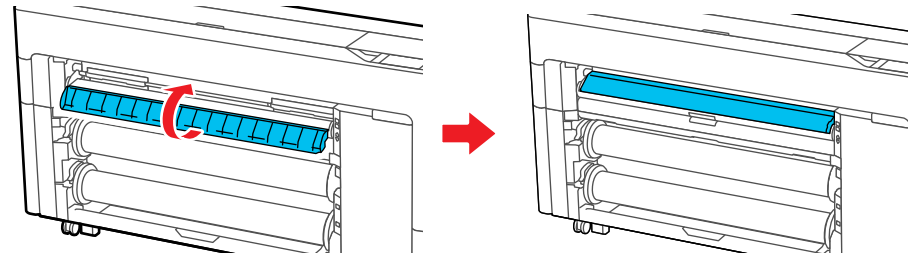
8. Carefully insert the new borderless maintenance box and push it in firmly.



9. Lift up the paper support lock lever, then move the paper support down to position **A** (the lowest position) as shown.



10. Close the paper output flap.



Note: Dispose of the used borderless maintenance box carefully.

Parent topic: [Replacing Consumables](#)

Related concepts

[Purchase Epson Ink and Maintenance Box](#)

Related references

[Optional Equipment and Replacement Parts \(U.S./Canada\)](#)

[Optional Equipment and Replacement Parts \(Latin America\)](#)

Adjusting Print Quality

If your print quality declines, you may need to run a utility to clean or align the print head.

If running these utilities does not solve the problem, you may need to replace the ink cartridges or ink packs, clean the roll paper feeder, or run a Power Cleaning.

Note: Your product may differ from the images in this section, but the instructions are the same unless otherwise noted.

[Print Head Maintenance](#)

[Cleaning the Roll Paper Feeder](#)

Print Head Maintenance

Print head maintenance ensures the best print quality.

Perform the following maintenance functions as necessary:

- **Auto Cleaning:** Set the printer to automatically check for clogged nozzles and perform cleaning if clogged nozzles are detected. You can change the timing for the nozzle check or set to **Off** if you do not want to perform auto cleaning.
- **Print Head Nozzle Check:** Check for clogged nozzles before each print job or if you have not used the printer for an extended period of time. Inspect the printed check pattern and clean the print head if you notice faint or missing areas.
- **Print Head Cleaning:** Clean the print head if you notice faint areas or gaps in your printouts.
- **Ruled Line Alignment:** Adjust the position of the print head if your printouts are grainy or out of focus.
- **Paper Feed Adjust:** Adjust the paper feed if you are unable to resolve banding issues even after cleaning and aligning the print head.

[Print Head Nozzle Check](#)

[Print Head Cleaning](#)

[Adjusting the Paper Feed Using the Product Control Panel](#)

[Ruled Line Alignment](#)

Parent topic: [Adjusting Print Quality](#)

Related tasks

[Removing and Installing Ink Cartridges](#)

Print Head Nozzle Check

You can print a nozzle check pattern to check for clogged nozzles.


[Checking the Nozzles Using the Product Control Panel](#)

[Checking the Nozzles Using a Computer Utility](#)

Parent topic: [Print Head Maintenance](#)

Checking the Nozzles Using the Product Control Panel

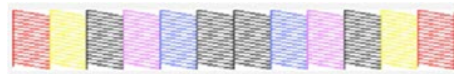
You can check the print head nozzles using the control panel on your product.

1. Make sure roll paper or cut sheet paper is loaded in the printer.
2. Make sure the correct paper type is selected.
3. Select  > **Maintenance** > **Print Head Nozzle Check**.
4. Select **Start**.

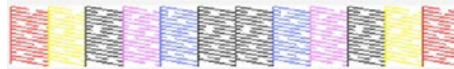
The nozzle check pattern prints.

5. Check the printed pattern to see if there are gaps in the lines.

Print head is clean



Print head needs cleaning



6. Do one of the following:
 - If there are no gaps, select **O** to exit.
 - If there are gaps or the pattern is faint, select **X** to perform head cleaning.
7. Follow the instructions on the screen to clean the print head, check the nozzles, and repeat the process as necessary.

Parent topic: [Print Head Nozzle Check](#)

Related references

[Maintenance Menu](#)

Related tasks



[Checking the Nozzles Using a Computer Utility](#)

[Cleaning the Print Head Using the Product Control Panel](#)

[Running a Power Cleaning Using the Product Control Panel](#)

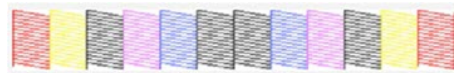
Checking the Nozzles Using a Computer Utility

You can check the print head nozzles using a utility on your Windows or Mac computer.

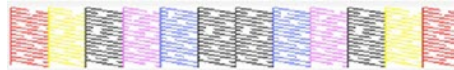
1. Load roll or cut sheet paper in the printer.
2. Make sure the correct paper type is selected.
3. Do one of the following:
 - **Windows:** Access the Windows Desktop and right-click the  icon for your product in the right side of the Windows taskbar, or click the up arrow and right-click , select **Properties** or **Printing preferences**, and click on the **Utility** tab.
 - **Mac:** In the Apple menu or the Dock, select **System Preferences**. Select **Print & Fax**, **Print & Scan**, or **Printers & Scanners**, select your product, and select **Options & Supplies**. Select **Utility** and select **Open Printer Utility**.
4. Click **Print Head Nozzle Check**.
5. Click **Print**.

The nozzle pattern prints.
6. Check the printed pattern to see if there are gaps in the lines.

Print head is clean



Print head needs cleaning



7. If there are no gaps, click **Finish**.

If there are gaps or the pattern is faint, perform head cleaning.

Parent topic: [Print Head Nozzle Check](#)

Related references

[Maintenance Menu](#)

Related tasks

[Checking the Nozzles Using the Product Control Panel](#)

[Cleaning the Print Head Using a Computer Utility](#)

[Running a Power Cleaning Using the Product Control Panel](#)

Print Head Cleaning

If print quality has declined and the nozzle check pattern indicates clogged nozzles, you can clean the print head. Use the nozzle check pattern to determine which colors need cleaning. You can save ink by cleaning only selected colors (control panel only).

Note: You cannot clean the print head if an ink cartridge is expended, and may not be able to clean it when a cartridge is low. You must replace the cartridge first.

Your printer automatically checks the print head nozzles when the printer is turned on and before printing; and cleans them when it detects clogged nozzles. To change this setting, select **General Settings > Printer Settings > Auto Cleaning**.

Note: When **Auto Cleaning** is enabled, the nozzles are checked after head cleaning and, if clogging is detected, auto cleaning is performed. Depending on the status of the nozzles, this process can take up to 32 minutes.

[Cleaning the Print Head Using the Product Control Panel](#)

[Cleaning the Print Head Using a Computer Utility](#)

[Running a Power Cleaning Using the Product Control Panel](#)


Parent topic: [Print Head Maintenance](#)

Related references

[Environmental Specifications](#)

Cleaning the Print Head Using the Product Control Panel

You can clean the print head using the control panel on your product.

1. Load roll or cut sheet paper in the printer.
2. Make sure the correct paper type is selected.
3. Select  > **Maintenance > Print Head Cleaning**.

4. Select the color pairs with faint or missing segments in the check pattern, then select **OK** to start the cleaning cycle.

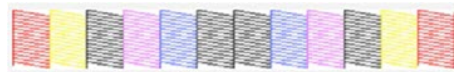
Note: A typical head cleaning cycle takes about 4 to 10 minutes. The more color pairs selected, the longer it takes to perform cleaning. Depending on the status of the nozzles and the Auto Clean Max Repeat setting, this function can take up to 28 minutes.

When the cleaning cycle is finished, a confirmation screen appears.

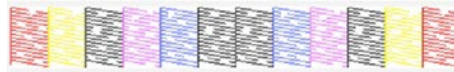
Caution: Never turn off the product during a cleaning cycle or you may damage it.

5. Select **Yes** to print a nozzle check pattern.
6. Check the printed pattern to see if there are gaps in the lines.

Print head is clean



Print head needs cleaning



7. Follow the instructions on the screen to clean the print head, check the nozzles, and repeat the process as necessary.

If you don't see any improvement after cleaning the print head several times, run a Power Cleaning.

Parent topic: [Print Head Cleaning](#)

Related references

[Maintenance Menu](#)

[Environmental Specifications](#)

Related tasks

[Cleaning the Print Head Using a Computer Utility](#)



[Checking the Nozzles Using the Product Control Panel](#)

[Running a Power Cleaning Using the Product Control Panel](#)

[Removing and Installing Ink Cartridges](#)

Cleaning the Print Head Using a Computer Utility

You can clean the print head using a utility on your Windows computer or Mac.

1. Load roll or cut sheet paper in the printer.
2. Make sure the correct paper type is selected.
3. Do one of the following:
 - **Windows:** Access the Windows Desktop and right-click the  icon for your product in the right side of the Windows taskbar, or click the up arrow and right-click , select **Properties** or **Printing preferences**, and click on the **Utility** tab.
 - In the Apple menu or the Dock, select **System Preferences**. Select **Print & Fax**, **Print & Scan**, or **Printers & Scanners**, select your product, and select **Options & Supplies**. Select **Utility** and select **Open Printer Utility**.
4. Select **Print Head Cleaning** and choose one of the following cleaning methods:
 - Select **All Colors** if you want to clean all of the nozzles.
 - Select **Auto Select** if you want the printer to automatically perform print head cleaning only when clogged nozzles are detected. If no clogged nozzles are detected, print head cleaning is not performed.
5. Click **Start** to begin the cleaning cycle.

The power light begins flashing. When the cleaning cycle is finished, the power light stops flashing and a confirmation screen appears.

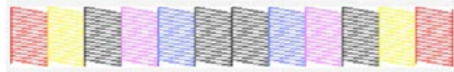
Note: A typical head cleaning cycle takes about 4 to 9 minutes. When **Auto Cleaning** is set to **On**, the nozzles are checked after head cleaning, and if clogging is detected, auto cleaning is performed. Depending on the status of the nozzles and the Auto Clean Max Repeat setting, this function can take up to 32 minutes.

Caution: Never turn off the product during a cleaning cycle or you may damage it.

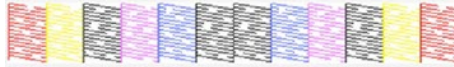
6. Click **Print Head Nozzle Check**.
7. Click **OK**.

The nozzle pattern prints.
8. Check the printed pattern to see if there are gaps in the lines.

Print head is clean



Print head needs cleaning



9. Follow the instructions on the screen to clean the print head, check the nozzles, and repeat the process as necessary.

If you don't see any improvement after cleaning the print head several times, run a Power Cleaning.

Parent topic: [Print Head Cleaning](#)

Related references

[Maintenance Menu](#)

[Environmental Specifications](#)

Related tasks

[Cleaning the Print Head Using the Product Control Panel](#)

[Running a Power Cleaning Using the Product Control Panel](#)


[Checking the Nozzles Using the Product Control Panel](#)

[Checking the Nozzles Using a Computer Utility](#)

[Removing and Installing Ink Cartridges](#)

Running a Power Cleaning Using the Product Control Panel

If print head nozzles are still clogged after cleaning the print head several times, run the **Power Cleaning** utility from the product control panel. This process consumes a lot of ink to clean the clogged nozzles.

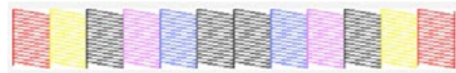
1. Load roll or cut sheet paper in the printer.
2. Make sure the correct paper type is selected.
3. Select  > **Maintenance** > **Power Cleaning**.
4. Select the nozzle pairs you want to clean and select **OK** to begin the power cleaning cycle.

Caution: Never turn off the product during a cleaning cycle or you may damage it.

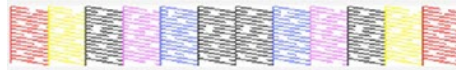
Note: Depending on nozzle status and the number of pairs selected, the power cleaning cycle can take up to 28 minutes.

5. Select **Yes** to print a nozzle check pattern.
The nozzle pattern prints.
6. Check the printed pattern to see if there are gaps in the lines.

Print head is clean



Print head needs cleaning



If nozzles are still clogged, turn off the printer and leave it off overnight. If nozzles are still clogged, contact Epson for support.

Parent topic: [Print Head Cleaning](#)

Related tasks

[Checking the Nozzles Using the Product Control Panel](#)

[Checking the Nozzles Using a Computer Utility](#)

[Cleaning the Print Head Using the Product Control Panel](#)

[Cleaning the Print Head Using a Computer Utility](#)

Adjusting the Paper Feed Using the Product Control Panel


If your printouts are grainy or blurry, or you still see dark or light horizontal bands, you may need to adjust the paper feed using the product control panel.

1. Load roll paper or cut sheet paper in the printer.

Note: Load paper that is at least 13.3 inches wide by 21.9 inches long (338 mm × 558 mm).

2. Make sure the correct paper type is selected.

Note: If you are using commercially available paper, make sure you create the custom paper settings in advance.

3. Select  > **Paper Setting** > paper source > **Print Adjustments** > **Paper Feed Adjust.**

4. Select one of the following:
 - **Auto:** automatically adjusts the paper feed setting (takes 9 to 35 minutes to complete); Epson recommends running this option first.
 - **Manual:** if automatic adjustment results are not satisfactory and you want to perform adjustments based on specific printing needs, select an adjustment setting from the following:
 - **Quality First:** prints adjustment patterns to adjust the feed for image quality
 - **Length Accuracy First:** prints measurement positions to adjust the feed for images that require more precise dimensions and length, such as CAD files

Note: You will need a 24-inch (610 mm) ruler that can measure in 0.5 mm increments to perform the adjustment.
5. Select **Start** to print an adjustment pattern.
6. Depending on your adjustment selection, do one of the following:
 - **Quality First:** Follow the instructions on the LCD screen to select the best patterns for the first set of adjustment patterns and select **OK**.

After the second set of adjustment patterns prints, repeat the process.
 - **Length Accuracy First:** Use a ruler that can measure in 0.5 mm increments to measure the registration marks. Enter the measurement on the LCD screen and select **OK**.

The screen displays a confirmation message and returns to the home screen.

Parent topic: [Print Head Maintenance](#)

Ruled Line Alignment

If your printouts become grainy or blurry, you notice misalignment of vertical lines, or you see dark or light horizontal bands, you may need to align the print head.

Before you align the print head, note the following:

- Alignment varies depending on the loaded media. Align the print head using the media on which you want to print and select the paper type that matches the paper in the printer. When adjusting using non-Epson paper, make sure you register the custom paper in advance.
- Run a nozzle check before you align the print head. If there are any gaps in the nozzle check pattern, clean the print head.
- Manually align the print head on any transparent or colored paper or on these paper types: Plain paper, Epson Enhanced Matte Poster Board.

- Make sure no direct sunlight enters the printer, or the alignment pattern may not be read correctly.

[Aligning the Print Head Automatically Using the Product Control Panel](#)

[Aligning the Print Head Manually Using the Product Control Panel](#)

Parent topic: [Print Head Maintenance](#)

Related concepts

[Print Head Nozzle Check](#)

Aligning the Print Head Automatically Using the Product Control Panel

You can automatically align the print head using the control panel on your product. Make sure no direct sunlight enters the printer, or the alignment pattern may not be read correctly.


Note: You must manually align the print head when you are using any transparent or colored paper or on these paper types: Plain paper, Epson Enhanced Matte Poster Board.

1. Load roll paper or cut sheet paper in the printer.

Note: Load paper that is at least 15.2 × 21.9 inches (388 × 558 mm) or larger.

2. Make sure the correct paper type is selected.

Note: If you are using commercially available paper, make sure you create the custom paper settings in advance.

3. Select  > paper source > **Paper Setting** > **Print Adjustments** > **Ruled Line Alignment** from the product control panel.
4. Select one of the following:
 - **Auto (Standard):** if printed ruled lines are misaligned or print results are grainy or otherwise unsatisfactory (takes 9 to 35 minutes to complete)
 - **Auto (Details):** if printed ruled lines are misaligned at the edge of the paper or standard automatic alignment results are unsatisfactory (takes 9 to 35 minutes to complete)

The sensor reads the adjustment pattern and automatically aligns the print head.

Note: Do not open the front cover or turn off the printer during the alignment process.

5. After the alignment is complete, check the results.

If the print head still seems misaligned, select a different alignment method and repeat the process. If the print results are still not satisfactory, adjust the print head position manually.

Parent topic: [Ruled Line Alignment](#)

Related tasks

[Aligning the Print Head Manually Using the Product Control Panel](#)

[Loading Roll 1/Roll Paper](#)

[Loading Roll 2 \(Dual Roll Models Only\)](#)

[Loading Cut Sheets](#)

[Loading Poster Board](#)

[Creating Custom Paper Settings](#)

Aligning the Print Head Manually Using the Product Control Panel


If you cannot run an automatic print head alignment on your paper or automatic alignment does not correct the problem, you can manually align the print head using the control panel on your product.

1. Load roll paper or cut sheet paper in the printer.

Note: Load paper that is at least this size or larger: A4 (8.3 × 11.7 inches [210 × 297 mm]).

2. Make sure the correct paper type is selected.

Note: If you are using commercially available paper, make sure you create the custom paper settings in advance.

3. Select  > **Paper Setting** > **Print Adjustments** > **Ruled Line Alignment**.
4. Select one of the following:
 - **Auto (Standard):** if printed ruled lines are misaligned or print results are grainy or otherwise unsatisfactory (takes 9 to 35 minutes to complete)
 - **Auto (Details):** if printed ruled lines are misaligned at the edge of the paper or standard automatic alignment results are unsatisfactory (takes 9 to 35 minutes to complete)
 - **Manual (Standard):** if automatic alignment results are not satisfactory and you want to precisely align the print head using the printed adjustment patterns
 - **Manual (Details):** if automatic and standard manual alignment results are not satisfactory and you want to select custom settings based on specific printing needs

The printer prints the first adjustment pattern. If you are printing on cut sheets, load additional sheets of paper after each pattern is printed.

5. After each alignment pattern is printed, view the LCD screen for instructions on selecting the best result in each pattern set.

Multiple pattern sets may print, depending on the paper width. If so, check all pattern sets and average the adjustment value. For example, if two pattern sets print, and the best value for each set is 0 and 2, the average value would be 1. Enter 1 as the adjustment value. If the average value is not an integer, round it off to the nearest whole number.

6. After the alignment is complete, check the results.

If the print head still seems misaligned, repeat the process.

Parent topic: [Ruled Line Alignment](#)

Related tasks

[Aligning the Print Head Automatically Using the Product Control Panel](#)

[Loading Roll 1/Roll Paper](#)

[Loading Roll 2 \(Dual Roll Models Only\)](#)




[Loading Cut Sheets](#)

[Loading Poster Board](#)

[Creating Custom Paper Settings](#)

Cleaning the Roll Paper Feeder

If ink smears when printing on roll paper or cut sheets, you can clean the roll paper feeder using plain paper to remove excess ink.

1. Load the widest available roll paper in the printer.
2. Select  > **Paper Setting** > **Roll 1** (known as **Roll** on SureColor P6570E/T3770E) or **Roll 2**, if applicable > **Feed/Cut Paper**.
3. Select  and press and hold **Forward** until there are no ink smears on the ejected roll paper.
4. Select  **Cut** to cut the roll paper.

Parent topic: [Adjusting Print Quality](#)

Related tasks

[Loading Roll 1/Roll Paper](#)

[Loading Roll 2 \(Dual Roll Models Only\)](#)

Maintenance and Transportation

See the instructions in these sections to maintain your printer for optimum results, or to move or transport your printer.

[Replacing the Cutter](#)

[Cleaning Your Product](#)

[Cleaning the Platen and Borderless Pad Edges](#)

[Wiping Around the Print Head](#)


[Cleaning the Print Head Cap Area](#)

[Moving or Transporting Your Product](#)

Replacing the Cutter

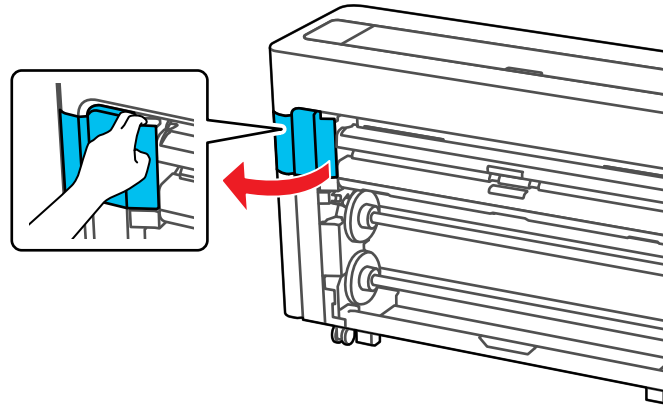
If you notice that your paper does not cut cleanly, you may need to replace the cutter. You will need a Phillips-head screwdriver.

Caution: Store the replacement cutter out of the reach of children. Do not remove the protective material from the new cutter until instructed to do so. Do not drop the cutter or knock it against anything or you may chip the blade.

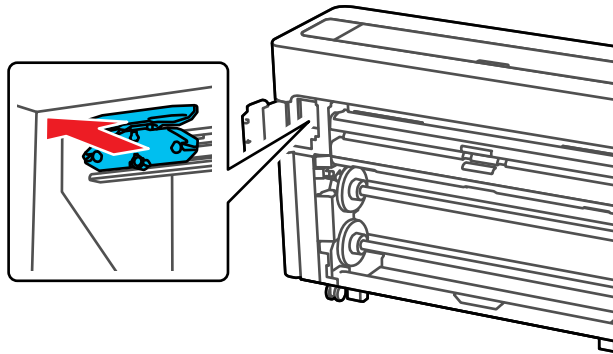
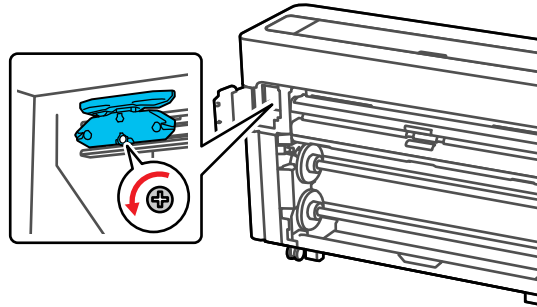
1. Remove all paper from the printer.
2. Select the  Menu icon.
3. Select **Maintenance > Replace Auto cutter blade > Start**.

The cutter moves to the replacement position.

4. Open the maintenance cover.

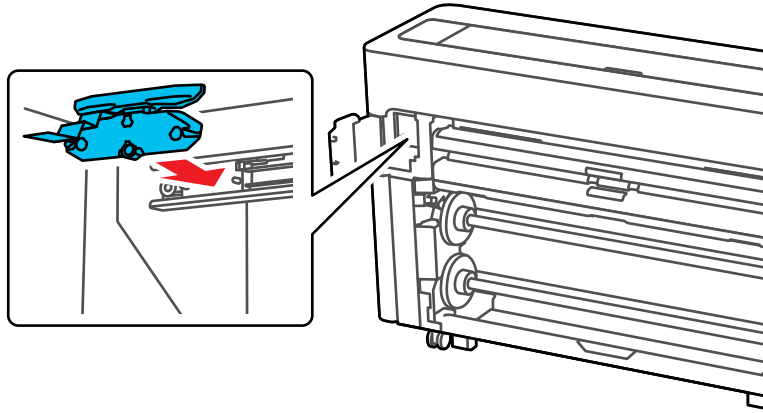


5. Use a Phillips-head screwdriver to loosen the screw holding the cutter in place and carefully remove the cutter. Place the cutter in a plastic bag and dispose of it properly.

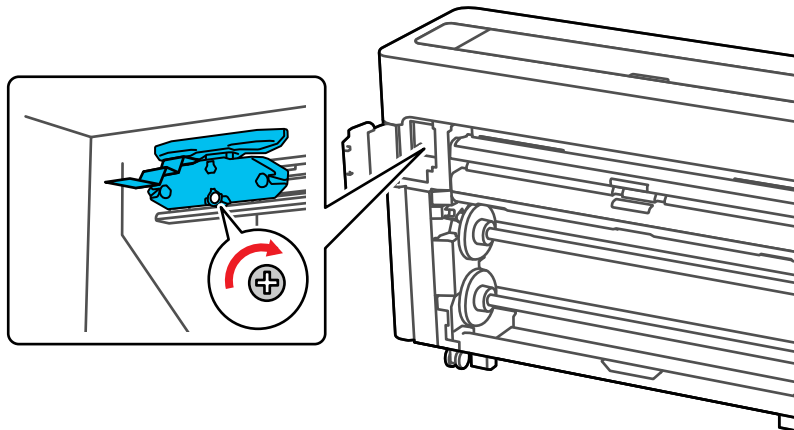


Warning: Keep the cutter out of the reach of children. The blade is sharp and can cause injury.

6. Install the new cutter in the product with the protective material still attached.



7. Tighten the cutter screw securely.



Note: Make sure the screw is tightened securely, otherwise the cut position may be slightly shifted or skewed.

8. Close the maintenance cover.
9. Select **OK**.

The cutter moves into position and cuts off the protective piece. Remove the protective piece from the printer.

Parent topic: [Maintenance and Transportation](#)

Related references

[Optional Equipment and Replacement Parts \(U.S./Canada\)](#)

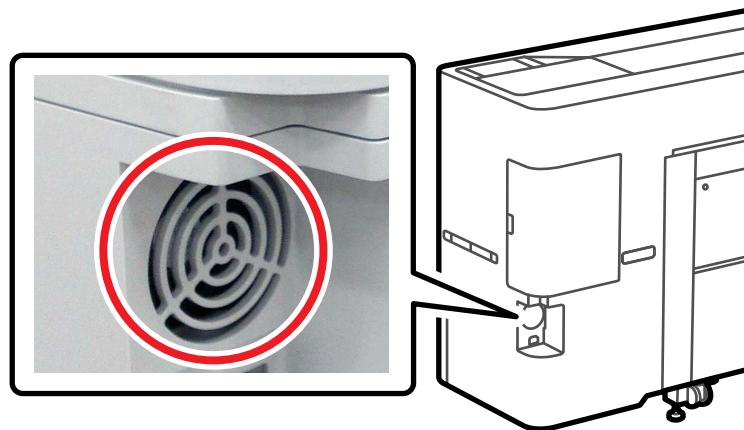
[Optional Equipment and Replacement Parts \(Latin America\)](#)

Cleaning Your Product

You should clean the exterior of your printer about once a month to keep the product in optimum condition.

Note: Do not use volatile chemicals, such as alcohol or paint thinners, to clean the product.

1. Remove all the paper from the product.
2. Turn off the product, wait for the LCD screen to turn off, and unplug the power cable from the electrical outlet.
3. Using a soft, clean cloth, wipe off any dust or dirt from the exterior of the product. To prevent dust from accumulating, make sure to clean the area shown here.



Note: For stubborn dirt, dampen the cloth with water mixed with a small amount of neutral detergent. Wring it out before using it to wipe the product's surface. Dry the product with a soft, lint-free cloth when you are finished.

Parent topic: [Maintenance and Transportation](#)

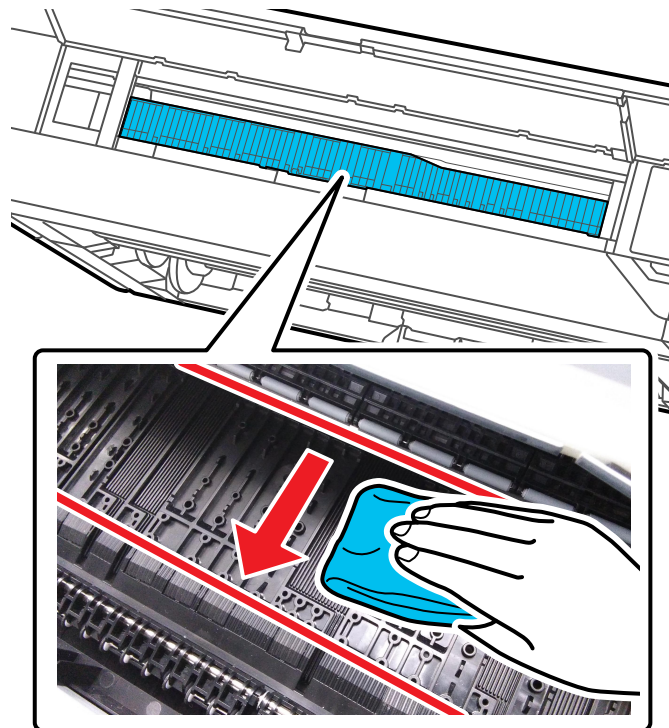
Cleaning the Platen and Borderless Pad Edges

You should clean the interior of the printer about once a month to prevent ink and paper particles from accumulating in the printer. Carefully follow the steps here to clean the platen and borderless pad edges to remove ink, paper particles, and lint.

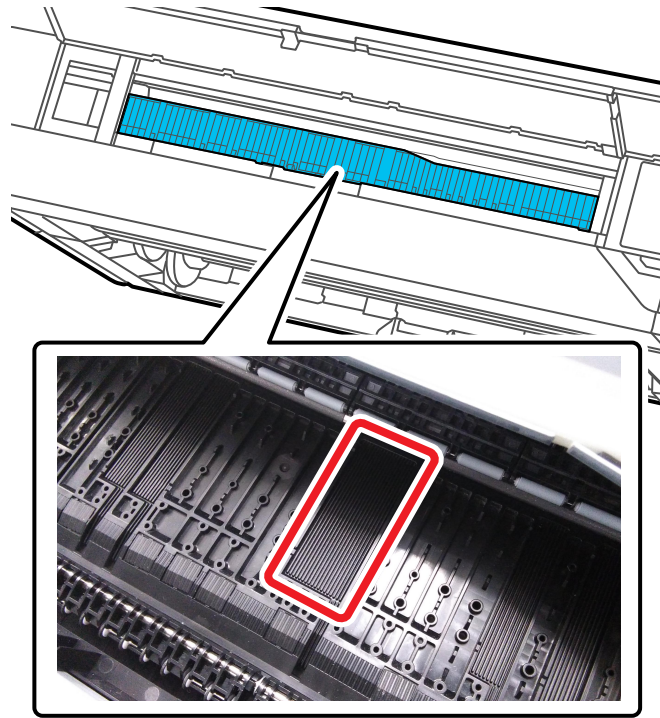
Caution: If ink remains on these parts, it could transfer to your printouts. Continued use of your product with ink, paper particles, or lint on these surfaces could damage the print heads or clog the nozzles.

1. Turn off the product, wait for the LCD screen to turn off, and unplug the power cable from the electrical outlet.
2. Wait for one minute before continuing.
3. Open the front covers.

4. Use a soft, lint-free cloth to thoroughly remove dust and dirt from the platen as shown here. Wipe from the top to the bottom of the platen and do not touch the rollers or ink tubes.

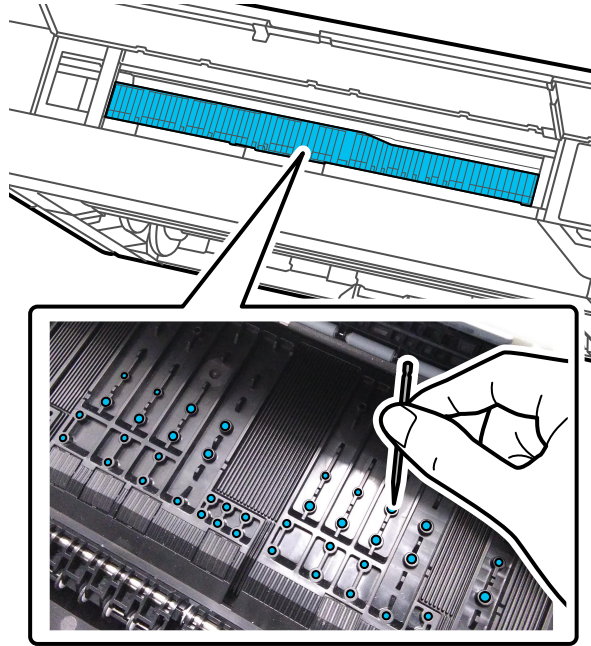


Make sure to thoroughly clean the area shown here.

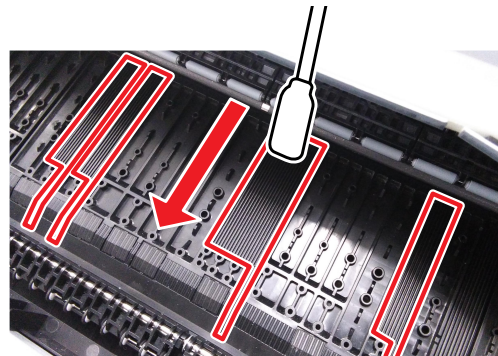


Note: For stubborn dirt, dampen a soft cloth with neutral detergent. Wring it out and clean the platen as shown above. Dry the platen with a soft, dry, lint-free cloth when you are finished.

5. If any paper particles have accumulated in the holes shown here, use a pointed object such as a toothpick to push the material into the holes.



6. Use cotton swabs to remove any paper particles or dust around the outer edges of the borderless pads as shown.



7. Close the front covers, plug in the power cord, and turn the product back on.


Parent topic: [Maintenance and Transportation](#)

Wiping Around the Print Head

If the print head is clogged and automatic cleaning does not fix the issue, you can clean the print head and the area around the caps using the optional cleaning sticks (part number C13S090013).

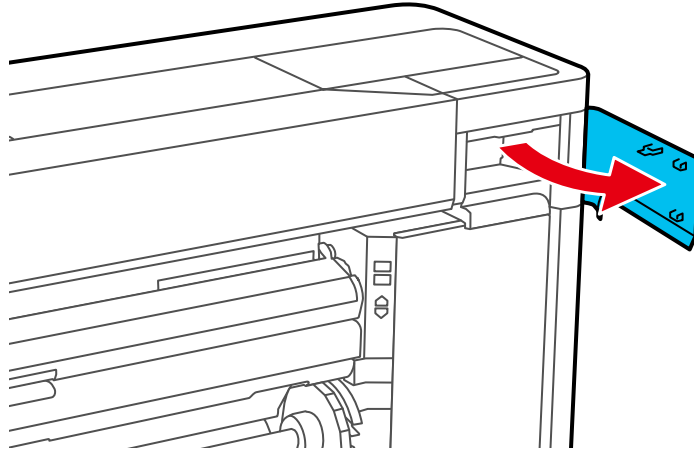
Caution: Before beginning the cleaning process, note the following:

- Do not touch any circuit boards or any parts inside the printer besides those which need to be cleaned.
- Always use new cleaning sticks, or dirt may be transferred into the printer.
- Do not touch the tips of the cleaning sticks. This may reduce the cleaning effect.
- Touch a metal object before cleaning to discharge any static electricity.
- Do not use an organic solvent such as alcohol to wipe the caps, as it may damage the print head.
- Do not move the print head by hand. Doing so could damage the printer.
- If paper is loaded in the printer, remove it.

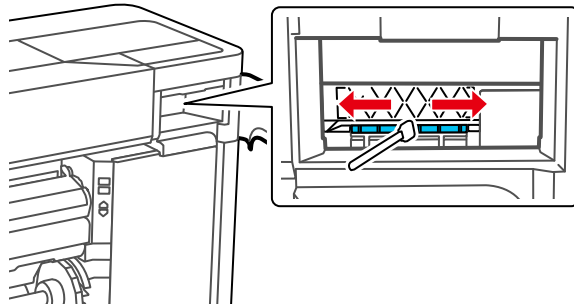
1. On the LCD screen, select  > **Maintenance > Cleaning the Maintenance Parts > Wiping the Print Head > Start.**

The print head moves to the cleaning position.

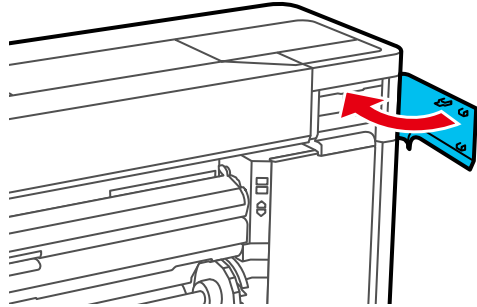
2. Open the maintenance cover.



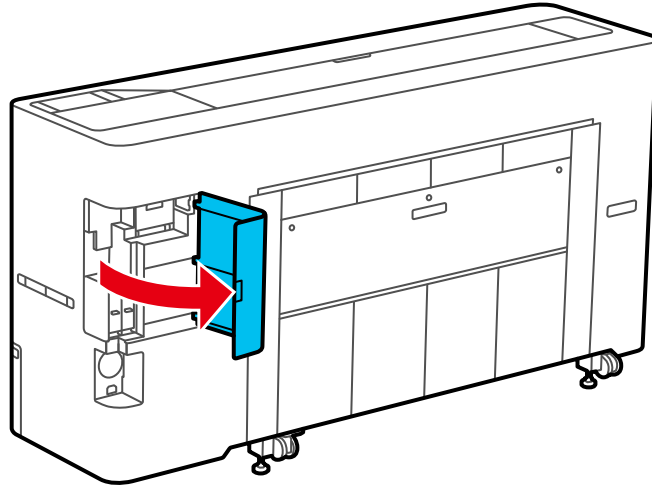
3. Use a cleaning stick to wipe around the print head as shown to remove any ink, lint, or dirt.



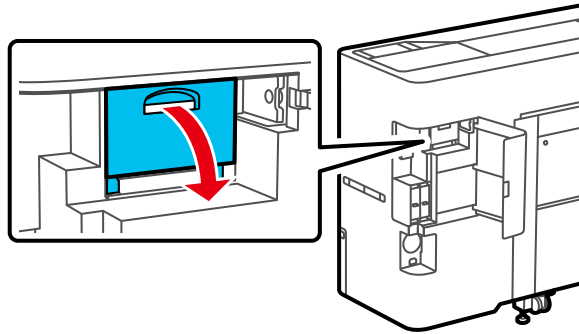
4. Close the maintenance cover.



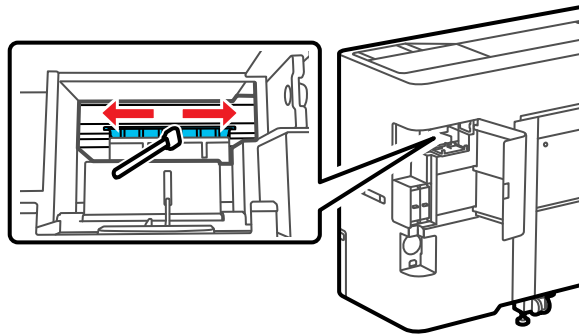
5. Open the port cover at the back of the printer.



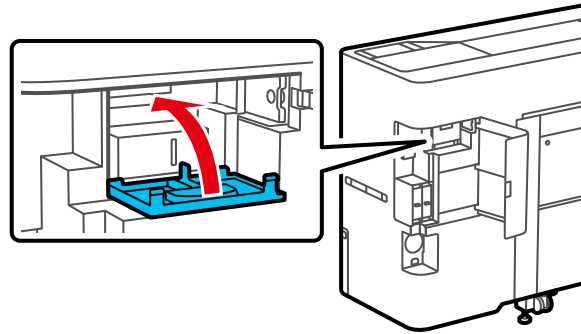
6. Open the rear maintenance cover.



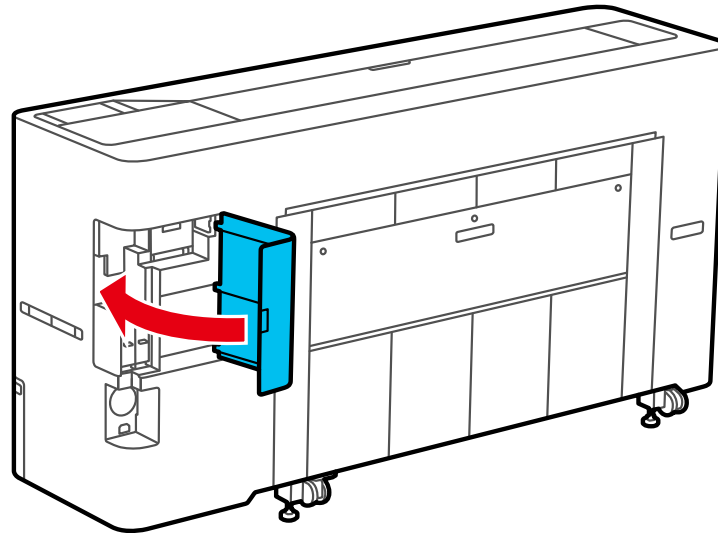
7. Use a cleaning stick to wipe around the print head as shown to remove any ink, lint, or dirt.



8. Close the rear maintenance cover.



9. Close the port cover.



10. Select **Done** to return the print head to its home position.

Parent topic: [Maintenance and Transportation](#)

Related tasks

[Removing Roll 1/ Roll Paper](#)


[Removing Roll 2 \(Dual Roll Models Only\)](#)

Cleaning the Print Head Cap Area

If the print head is clogged and automatic cleaning does not fix the issue, you can clean the print head and the area around the caps using the optional cleaning sticks (part number C13S090013).

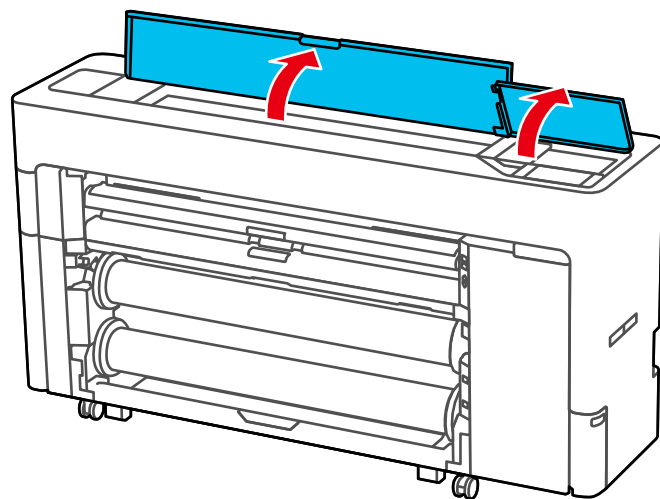
Caution: Before beginning the cleaning process, note the following:

- Do not touch any circuit boards or any parts inside the printer besides those which need to be cleaned.
- Always use new cleaning sticks, or dirt may be transferred into the printer.
- Do not touch the tip of the cleaning stick. This may reduce the cleaning effect.
- Touch a metal object before cleaning to discharge any static electricity.
- Do not use an organic solvent such as alcohol to wipe the caps, as it may damage the print head.
- Do not move the print head by hand. Doing so could damage the printer.
- If paper is loaded in the printer, remove it.

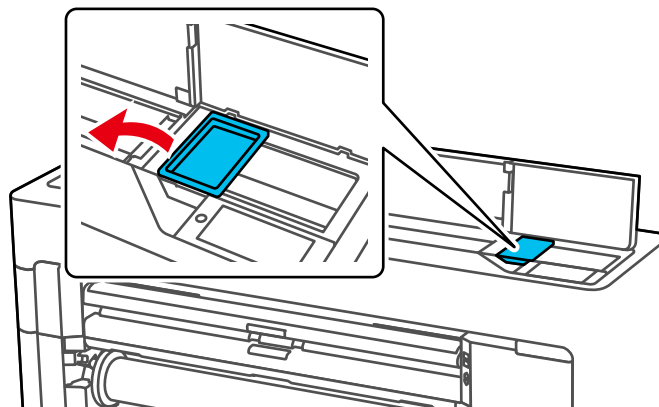
1. On the LCD screen, select  > **Maintenance** > **Cleaning the Maintenance Parts** > **Wiping around the Cap**.

The print head moves to the cleaning position.

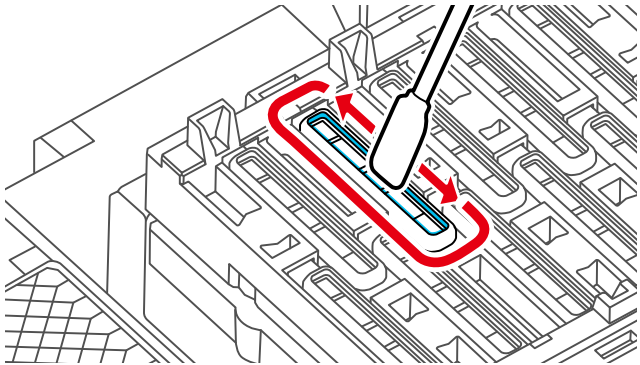
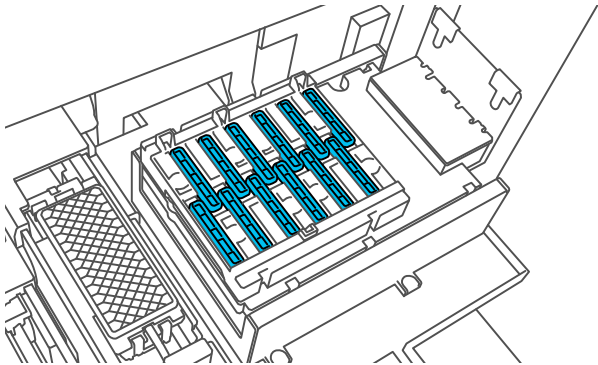
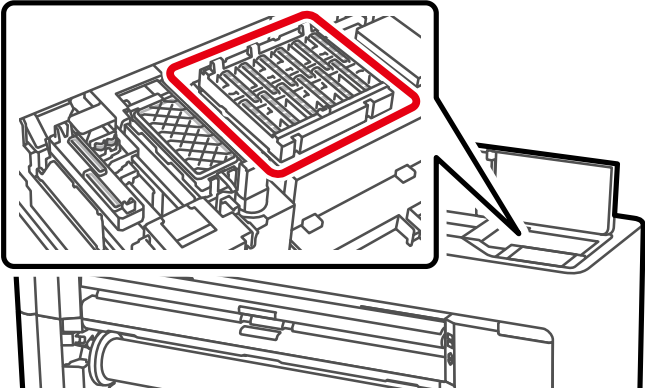
2. Open the printer covers.



3. Remove the protective piece as shown.

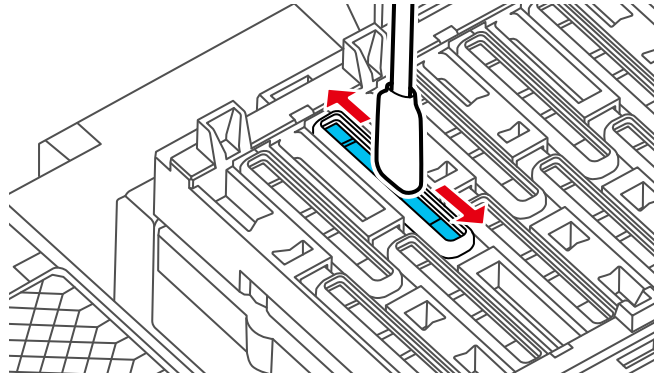


4. Use a new cleaning stick to clean the drying prevention caps area as shown.

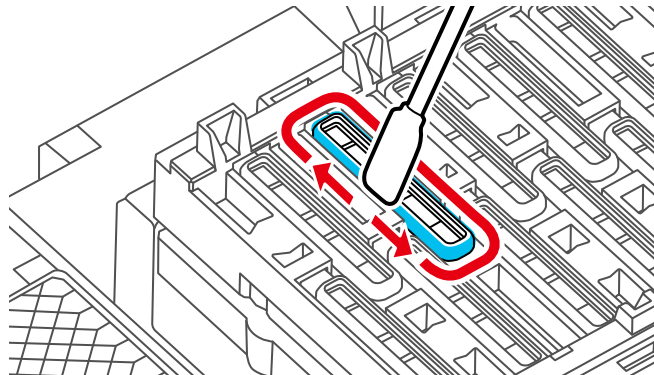


Note: Do not press too hard on the area surrounding the caps. Doing so could damage the caps and may prevent them from functioning properly.

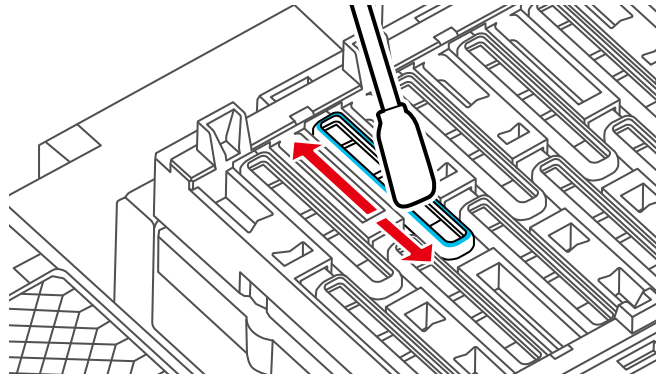
5. Hold the cleaning stick in a vertical position and wipe the inner areas of the drying prevention caps as shown.



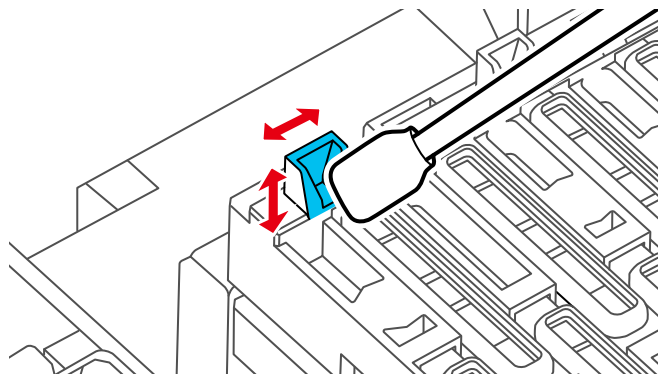
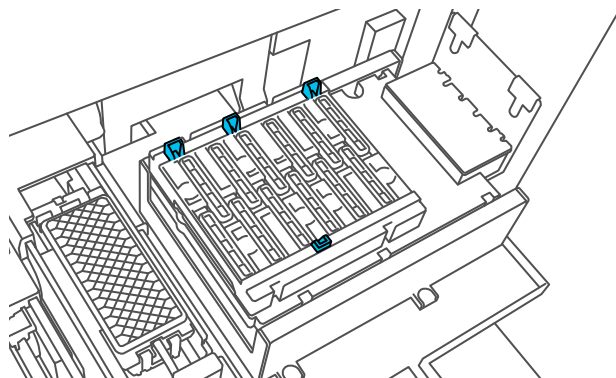
6. Hold the cleaning stick in a vertical position and wipe the outer areas of the drying prevention caps as shown.



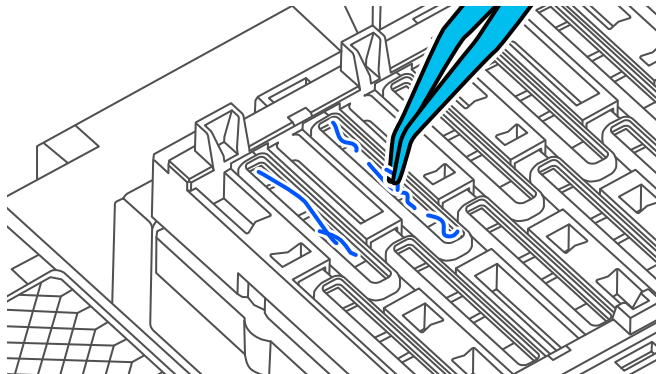
7. Hold the cleaning stick in a horizontal position and wipe the edges of the drying prevention caps with the flat surface as shown.



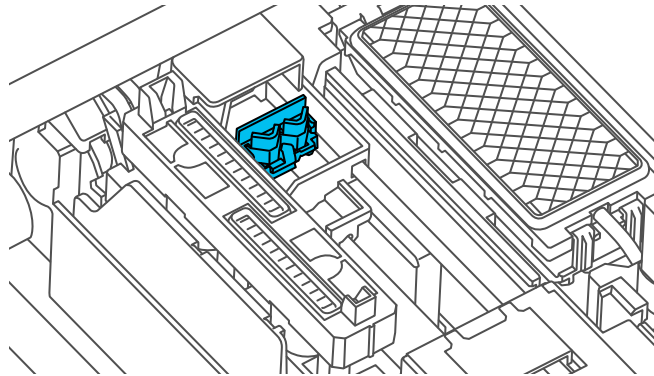
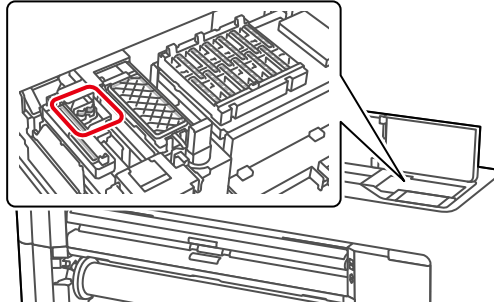
8. Hold the cleaning stick in a vertical position and wipe the guides as shown.



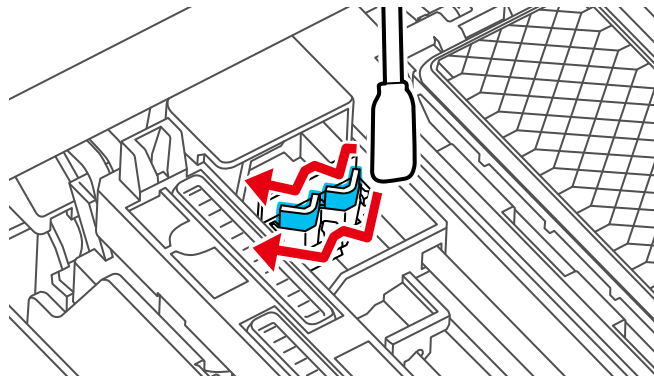
9. If there is any lint or dust in the drying prevention caps, remove it with the tip of the cleaning stick or a pair of tweezers.



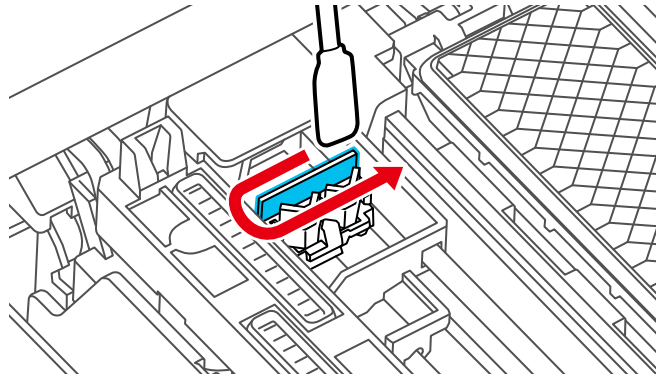
10. Use a new cleaning stick to wipe any dirt off of the wiper.



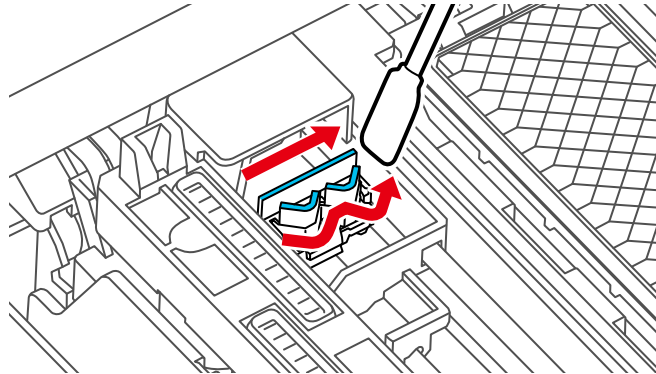
11. Wipe around the front of the wiper as shown.



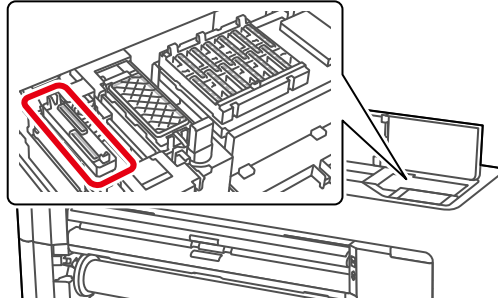
12. Wipe around the back of the wiper as shown.



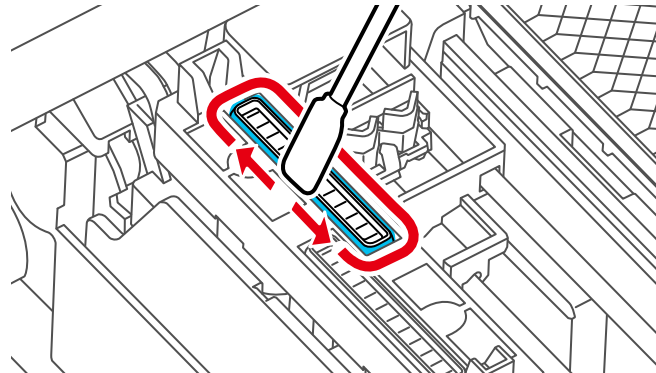
13. Wipe the edges of the wiper as shown.



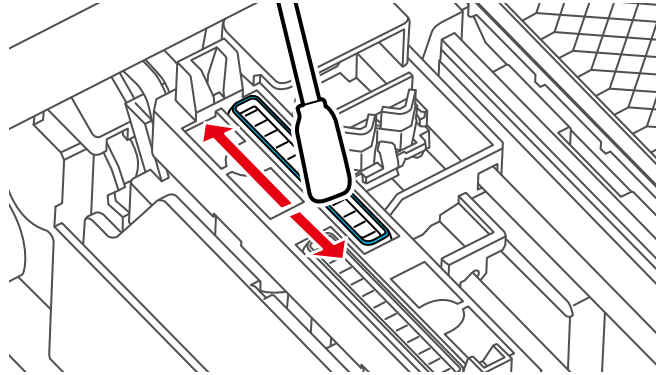
14. Use a new cleaning stick to wipe any dirt off of the suction caps.



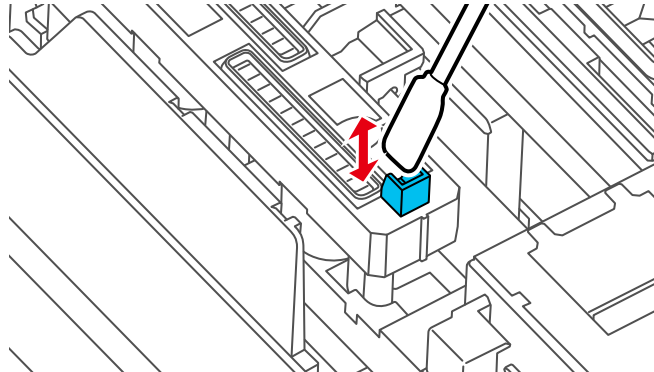
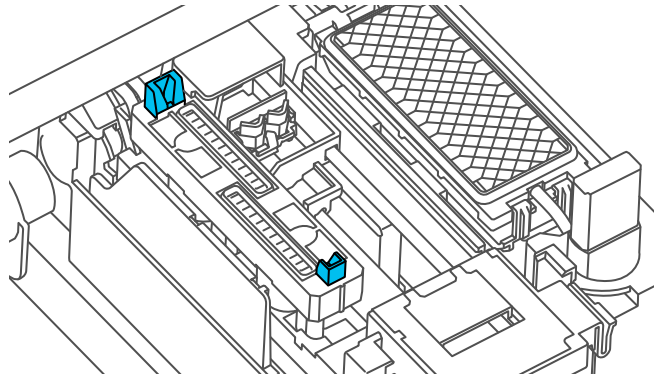
15. Hold the cleaning stick in a vertical position and wipe the outer areas of the suction caps as shown.



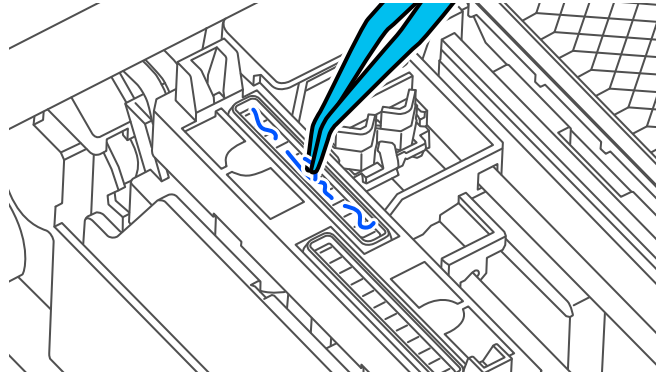
16. Hold the cleaning stick in a horizontal position and wipe the edges of the suction caps with the flat surface as shown.



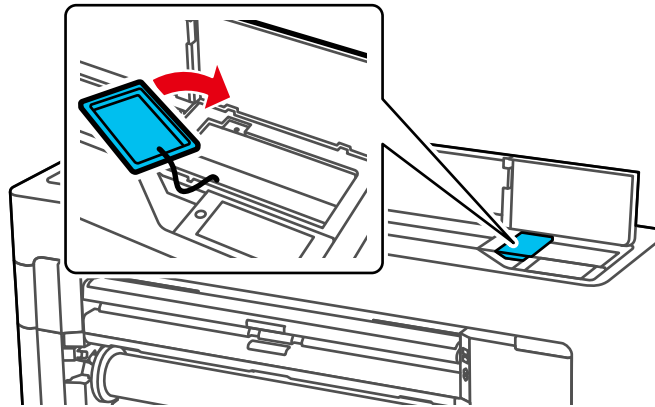
17. Hold the cleaning stick in a vertical position and wipe the guides shown here.



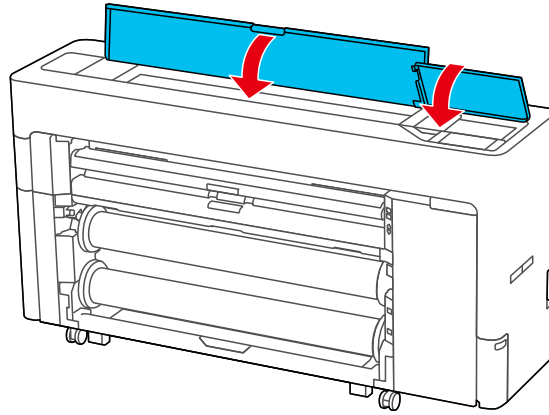
18. If there is any lint or dust in the suction caps, remove it with a cleaning stick or a pair of tweezers.



19. Replace the protective piece as shown.



20. Close the printer covers.



21. Select **OK** to return the print head to its home position.

Parent topic: [Maintenance and Transportation](#)

Related tasks

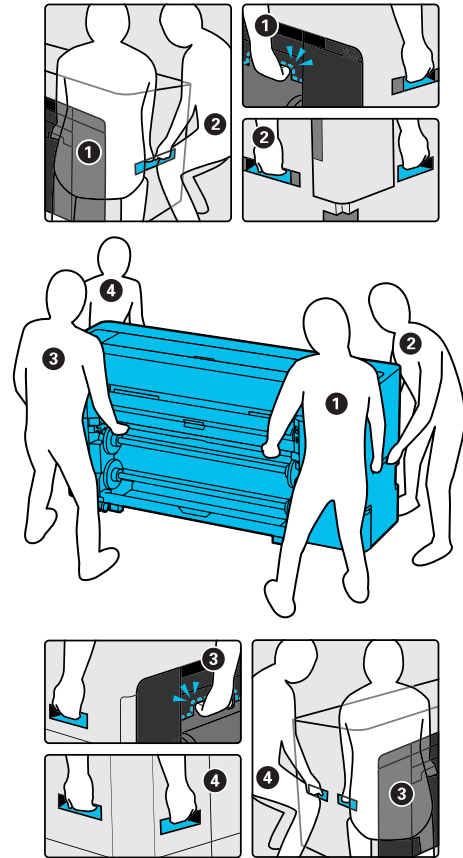
[Removing Roll 1/ Roll Paper](#)

[Removing Roll 2 \(Dual Roll Models Only\)](#)

Moving or Transporting Your Product

If you need to move or transport your product, prepare it as described here. Moving the product assumes that you are moving it to another location on the same floor, without using elevators, ramps, or stairs. If you are moving the product between floors or to another building, contact Epson for support.

Warning: The product is heavy and requires four or more people to move it. Use only the indicated locations to lift the product. Otherwise, the product may be damaged or you may be injured.



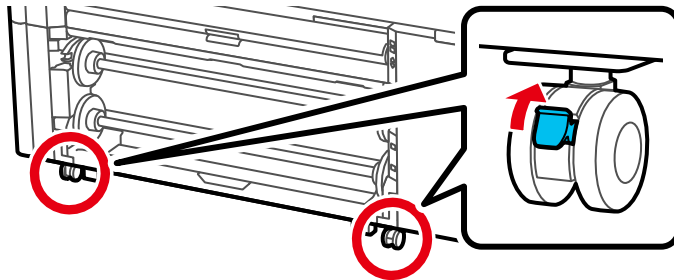
Caution: During transportation and storage, follow these guidelines:

- Avoid tilting the product more than 10° forward or backward while moving it.
- Leave the ink cartridges installed. Removing the cartridges can dry out the print head and may prevent the product from printing, or ink may leak.
- Use the casters to move the printer indoors a short distance over a level floor. Do not move the product with locked casters. Avoid areas with steps or uneven flooring.

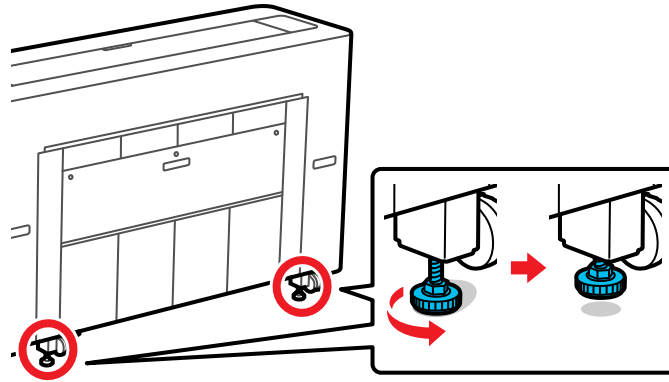
- If you are transporting or storing the product below 14°F (–10°C), you must discharge the ink. See the link below for instructions.
- Make sure the print head is capped (the print head is positioned at the far left) before storing the product. If the print head is left uncapped for a long period of time, the print quality may decline.

Note: Before storing your product for a long period, replace low, expended, or expired ink to help prevent the print head from drying out. Store your product in a cool, dry place.

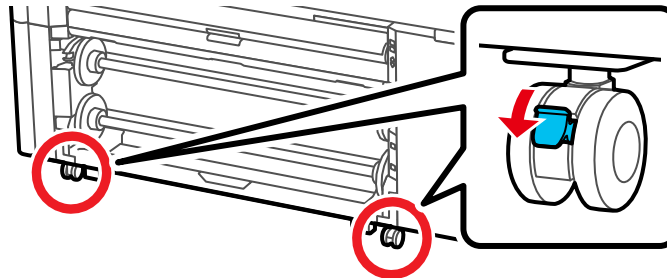
1. Remove all the paper from the product.
2. Turn off the product.
3. Unplug the power cable.
4. Disconnect any connected cables.
5. Remove the output tray, if necessary.
6. Close all covers on the product.
7. Unlock the casters on the front of the product.



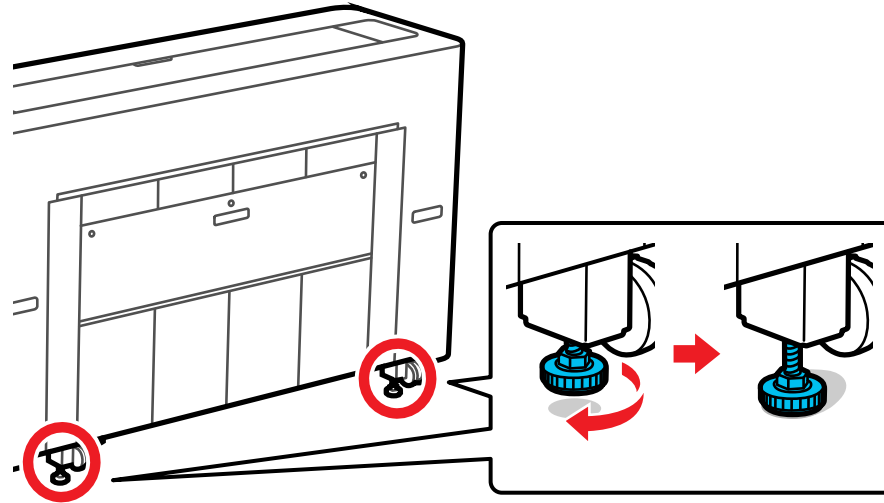
- Turn the adjustable feet on the back of the product until they no longer touch the floor, then move the product to the new location.



- After transporting the product, connect the power cable and turn on the product.
- Run a print head nozzle check and clean the print head, if necessary.
- Lock the casters.



12. Turn the adjustable feet until they touch the floor. Once the feet touch the floor, do not turn them more than half a turn (180 degrees) or print quality may decline.



Discharging Ink

Parent topic: [Maintenance and Transportation](#)

Related concepts

[Print Head Cleaning](#)

[Print Head Nozzle Check](#)

Related tasks

[Checking the Nozzles Using the Product Control Panel](#)

[Checking the Nozzles Using a Computer Utility](#)


[Removing Roll 1/ Roll Paper](#)

[Removing Roll 2 \(Dual Roll Models Only\)](#)

Discharging Ink

If you need to move or transport your product when the temperature is 14 °F (–10 °C) or lower, you must first discharge the ink to keep the print head in optimum condition.

Note: The maintenance box needs enough capacity to discharge the ink. If the remaining capacity is low, replace the maintenance box first.

1. Turn on the printer.
2. Remove all of the paper from the printer.
3. Select  > **Maintenance** > **Keeping Preparation** > **Start**.

The ink begins to discharge. The printer turns off automatically when the discharge process is complete.

Caution: Do not open any covers or turn off the printer while ink is discharging.

Note: If a message is displayed indicating that you need a new XXX ink cartridge when you resume using the printer, prepare an ink cartridge or ink pack of the color displayed in the XXX section before the next time you use the printer. The next time you turn on the printer, ink will fill the print head nozzles making the printer ready to print; so if you do not have enough ink to fill the nozzles, the printer will not be ready to use until the ink is replaced.

Parent topic: [Moving or Transporting Your Product](#)

Related tasks

[Removing Roll 1/ Roll Paper](#)

[Removing Roll 2 \(Dual Roll Models Only\)](#)

[Checking Ink and Maintenance Box Status on the LCD Screen](#)

Solving Problems

Check these sections for solutions to problems you may have using your product.

[Checking for Software Updates](#)

[Product Status Messages](#)

[Resetting Control Panel Defaults](#)

[Solving Printer Problems](#)

[Solving Network Problems](#)

[Solving Printing Problems](#)

[Solving Paper Problems](#)

[Solving Print Quality Problems](#)

[Solving Scanning Problems \(SureColor T5770DM/T7770DM\)](#)



[Uninstall Your Product Software](#)

[Where to Get Help \(U.S. and Canada\)](#)

[Where to Get Help \(Latin America\)](#)

Checking for Software Updates

Periodically, it's a good idea to check Epson's support website for free updates to your product software. Visit epson.com/support (U.S.), epson.ca/support (Canada), or latin.epson.com/support (Latin America) and select your product.

- **Windows:** Your printer software automatically checks for updates. You can also manually update the software by:
 - Accessing the Windows Desktop and right-clicking the  icon for your product in the right side of the Windows taskbar, or clicking the up arrow and right-clicking . Select **Software Update**.
 - Clicking on the **Utility** tab in the printer settings window and selecting **Driver Update**

You can also update the software by selecting **EPSON Software Updater** in the **EPSON** or **EPSON Software** program group, accessible by the **Start** button, or on the **Start** or **Apps** screens, depending on your version of Windows.

- **OS X:** You can manually update the software by opening the **Applications > Epson Software** folder and selecting **EPSON Software Updater**.

- **macOS 10.12.x, 10.13.x, 10.14.x, 10.15.x, 11.x, 12.x, 13.x:** You can manually update the software by opening the **App Store**, selecting **Updates**, searching for a software update option for Epson Software, and selecting **Update**.

Parent topic: [Solving Problems](#)

Product Status Messages

You can often diagnose problems with your product by checking the messages on the LCD screen.

LCD screen message	Condition/solution
<p>Change paper settings</p> <p>Paper setting in the printer driver is different from paper information registered in the printer. Change paper setting from the application or the driver.</p> <p>For details, see your documentation.</p>	<p>To change paper information that was registered using Epson Media Installer, load the paper and then use the control panel.</p> <p>You can also use Epson Media Installer to change paper information for paper that has not been loaded.</p> <p>Depending on the version of Epson Media Installer you are using, you may not be able to change the paper information.</p> <p>Check the media settings on the driver to determine which media is being used. To change the media, select Paper Setting > paper source > Change Paper type > Paper Type, and select the media that matches the driver setting.</p> <p>You can also select Use Printer Settings when you select the media, which will default to the paper that is set on the LCD screen.</p>
<p>TCP/IP configuration failed</p> <p>The combination of the IP address and the subnet mask is invalid. See your documentation for more details.</p>	<p>Enter the correct values for the IP address and the default gateway. Check with your network administrator if you do not know the correct values.</p>
<p>A printer part needs to be replaced</p> <p>Contact Epson Support. For details, see your documentation.</p> <p>XXXXXXXXX (maintenance request code)</p>	<p>A part used in the printer is nearing the end of its service life. Contact Epson for support and provide them with the displayed maintenance request code. The error persists until you replace the requested part. If you continue to use the printer, a printer error will occur.</p>

LCD screen message	Condition/solution
<p>Printer error. Turn power off and on again. If the problem persists, contact Epson support.</p> <p>XXXXXXXXX (service code)</p>	<p>An error message occurs when:</p> <ul style="list-style-type: none"> • The power cable is not connected securely • An error occurs that cannot be cleared <p>When a printer error has occurred, the printer automatically stops printing. Turn off the printer, disconnect the power cable from the outlet and the printer, and reconnect them. Turn the printer on and off several times. If the same error message is displayed on the LCD screen, contact Epson for support and provide them with the displayed service code.</p>

Parent topic: [Solving Problems](#)

Related references

[Where to Get Help \(Latin America\)](#)

[Where to Get Help \(U.S. and Canada\)](#)

Related tasks

[Removing and Installing Ink Cartridges](#)


[Replacing the Maintenance Box](#)

[Replacing the Borderless Maintenance Boxes](#)

Resetting Control Panel Defaults

If you have a problem with settings on the product control panel, you can reset them to their factory defaults. You can choose which settings to reset or reset them all.

Note: This setting can be locked by an administrator. If you cannot access or change this setting, contact your administrator for assistance.

1. Select  > **General Settings** > **System Administration** > **Restore Default Settings**
2. Select one of these options:
 - **Network Settings:** Resets all network settings.
 - **Clear All Data and Settings:** Resets all control panel settings except date and time, length unit, and language settings.

You see a confirmation screen.

3. Select **Yes** to reset the selected settings. (Select **No** if you want to cancel the operation.)

Parent topic: [Solving Problems](#)

Solving Printer Problems

Check these sections if you have problems operating your product.

[Product Does Not Turn On or Turns Off Unexpectedly](#)

[LCD Screen Shuts Off](#)

[Media Does Not Cut Cleanly](#)

[Red Light Shines Inside the Printer](#)

[Product Stops Printing Unexpectedly](#)

[Forgot the Administrator Password](#)

[Software Installation Problems](#)

Parent topic: [Solving Problems](#)

Product Does Not Turn On or Turns Off Unexpectedly

If the product does not turn on or turns off unexpectedly, try these solutions:

- Make sure the power cable is securely connected.
- Make sure the power outlet works by connecting the power cable for another electronic device.
- Turn off or adjust the **Power Off Timer** setting as necessary.

Parent topic: [Solving Printer Problems](#)

LCD Screen Shuts Off

If the LCD screen shuts off intermittently, the printer may be in sleep mode. Try these solutions:

- Press the touchscreen or any of the buttons on the control panel to exit sleep mode.
- You can adjust the delay time before the product enters sleep mode in the Basic Settings menu.

Parent topic: [Solving Printer Problems](#)

Related references

[Basic Settings Menu](#)

Media Does Not Cut Cleanly

If the built-in cutter does not cleanly cut your media, replace the cutter.

Parent topic: [Solving Printer Problems](#)

Red Light Shines Inside the Printer

The red light always shines inside the printer. This is normal.

Parent topic: [Solving Printer Problems](#)

Product Stops Printing Unexpectedly

If your product stops printing unexpectedly, try these solutions:

- Make sure the power cable is securely connected.
- Check the messages on the control panel. If an error has occurred, follow the instructions on the screen to clear the error.
- If an error occurs during printing, the print queue enters **Pause** status and stops printing. Do one of the following to check the status of the print queue:
 - In Windows, double-click the printer icon in the **Devices and Printers**, **Printers**, or **Printers and Faxes** folder; if printing is paused, open the **Printer** menu and clear the **Pause** check box.
 - On a Mac, select **System Preferences > Printers & Scanners** or **Print & Fax > Open Print Queue**. Double-click the icon for any printer that is **Paused** and click **Resume Printer**.
- If an error occurs during printing with the Adobe Embedded Print Engine, check the following:

Note: The Adobe Embedded Print Engine is not available on SureColor P6570DE/P6570E/T3770DE/T3770E.

- Make sure the paper width does not exceed the width of the printer. Try enabling the **Auto Rotate** function or change the input data or the print settings so that the print width fits the width of the printer.
- Make sure the selected paper type is supported.
- The print data may be corrupted. Check the data and correct it, if necessary.
- If the print data is too complicated to process when printing a PDF file, try lowering the PDF rendering level in **Printer Settings > PS Settings**.
- Make sure the file size is 2 GB or less.
- Print a PS Error sheet (**Printer Settings > PS Settings**) and check the messages on the report to help determine the cause of the problem.

Parent topic: [Solving Printer Problems](#)

Forgot the Administrator Password

The preset value for the administrator password is the product serial number. Check the label on the back of the product to locate the serial number. We recommend that you change the preset password as soon as possible to prevent unauthorized access.

If you forgot the administrator password you created during network setup, contact Epson for support.

Parent topic: [Solving Printer Problems](#)

Software Installation Problems

If you have problems while installing your product software, try these solutions:

- Make sure your product is turned on and any necessary cables are securely connected at both ends. Also make sure your system meets the requirements for your operating system. If you still have problems installing software, contact your system administrator.
- Close any other programs, including screen savers and virus protection software, and install your product software again.
- In Windows, make sure your product is selected as the default printer and the correct port is shown in the printer properties.
- For Mac, make sure your product is shown in the printer list. Click **System Preferences** or **System Settings > Printers & Scanners** or **Print & Fax**. If the printer name is not displayed, add the printer.
- If you see any error message or your software does not install correctly in Windows, you may not have software installation privileges. Contact your system administrator.
- If you are printing over a network, make sure your product is set up properly on the network.
- If the USB cable is not recognized, try using a different USB cable.

Parent topic: [Solving Printer Problems](#)

Solving Network Problems

Check these solutions if you have problems setting up or using your product on a network.

Note: Breakdown or repair of this product may cause loss of network data and settings. Epson is not responsible for backing up or recovering data and settings during or after the warranty period. We recommend that you make your own backup or print out your network data and settings.

[Product Cannot Connect to a Wireless Router or Access Point](#)
[Network Software Cannot Find Product on a Network](#)

[Product Does Not Appear in Mac Printer Window](#)

[Wired Network Connection Becomes Unstable](#)

[Cannot Print Over a Network](#)

Parent topic: [Solving Problems](#)

Product Cannot Connect to a Wireless Router or Access Point

If your product has trouble finding or connecting to a wireless router or access point, try these solutions:

- If you are connecting the product via Wi-Fi Protected Setup (WPS) and the Wi-Fi icon on your product's LCD screen is not lit or does not appear, make sure you select one of the WPS options from the product control panel within 2 minutes of pressing the WPS button on your router.
- Make sure to place your product within contact range of your router or access point. Avoid placing your product near a microwave oven, cordless phone, or large metal object, such as a filing cabinet.
- Verify that your router or access point is operating correctly by connecting to it from your computer or another device.

Note: If you are using a 5 GHz wireless router, set the router to operate in dual band (2.4 GHz and 5 GHz) mode. If your router uses a single network name (SSID) for both the 2.4 GHz and 5 GHz band, give each band its own network name (SSID) instead, such as Home Network 2.4 GHz and Home Network 5 GHz. See your router documentation or contact your internet service provider for instructions.

- Print a network connection report and check the codes and messages on the report to help determine the cause of the problem.
- You may need to disable the firewall and any anti-virus software on your wireless router or access point.
- Try restarting your router following the instructions in your router documentation.

Note: If you are reading these instructions online, you will lose your Internet connection when you restart your router.

- Check to see if access restrictions, such as MAC address filtering, are set on the router or access point. If access restrictions are set, add your product's MAC address to your router's address list. To obtain your product's MAC address, print a network status sheet. Then follow the instructions in your router or access point documentation to add the address to the list.
- If your router or access point does not broadcast its network name (SSID), follow the instructions that came with your product to enter your wireless network name manually.

- If your router or access point has security enabled, determine the kind of security it is using and any required password or passphrase for connection. Then make sure to enter the exact WEP key or WPA passphrase correctly.
- Check if your computer is restricting the available wireless channels. If so, verify that your wireless access point is using one of the usable channels and change to a usable channel, if necessary.
- If you cannot connect your product to a device using Wi-Fi Direct, you may have exceeded the maximum number of devices connected to your product (4). Print a network status sheet or access Web Config on the browser for your device and check the number of connected devices. If 4 devices are already connected, disconnect a device by deleting the product's SSID from the Wi-Fi screen of that device. If fewer than 4 devices are connected, check the accuracy of your other network settings, move your device closer to your product, and try connecting again.
- If you are using a Wi-Fi Direct connection that suddenly disconnects, the Wi-Fi Direct password on your device may have been changed. If necessary, delete the existing **DIRECT-xxxxxxx** connection settings from your device and enter a new password. See your device documentation for instructions.

Parent topic: [Solving Network Problems](#)

Network Software Cannot Find Product on a Network

If EpsonNet Setup cannot find your product on a network, try these solutions:

- Make sure your product is turned on and connected to your network. Verify the connection using your product control panel.
- Check if your network name (SSID) contains non-ASCII characters. Your product cannot display non-ASCII characters.
- Print a network connection report and check the codes and messages on the report to help determine the cause of the problem.
- Make sure your product is not connected to a guest network.
- If necessary, reinstall your product software and try running EpsonNet Setup again:
 1. Reset your product's network settings to their factory defaults.
 2. **Windows only:** Uninstall your product software.
 3. Restart your router following the instructions in your router documentation.

Note: If you are reading these instructions online, you will lose your Internet connection when you restart your router, so note the next step before restarting it.

4. Download your product software from the Epson website using the instructions on the *Start Here* sheet.
- If you have replaced your router, reinstall your product software to connect to the new router.
 - Check to see if your wireless router or access point has an enabled Privacy Separator function that is preventing detection of your device over the network. See your router or access point documentation for instructions on disabling the Privacy Separator function.

Note: If you are using a 5 GHz wireless router, set the router to operate in dual band (2.4 GHz and 5 GHz) mode. If your router uses a single network name (SSID) for both the 2.4 GHz and 5 GHz band, give each band its own network name (SSID) instead, such as Home Network 2.4 GHz and Home Network 5 GHz. See your router documentation or contact your internet service provider for instructions.

- Try accessing any website from your computer to make sure that your computer's network settings are correct. If you cannot access any website, there is a problem on the computer. Check the network connection of the computer. See the documentation provided with the computer for details.

Parent topic: [Solving Network Problems](#)

Related concepts

[Uninstall Your Product Software](#)

Related tasks

[Resetting Control Panel Defaults](#)

Product Does Not Appear in Mac Printer Window

If your product does not appear in the Mac printer window, try these solutions:

- Turn your product off, wait 30 seconds, then turn it back on again.
- If you are connecting the product via Wi-Fi Protected Setup (WPS) and the Wi-Fi icon on your product's LCD screen is not lit, make sure you select one of the WPS options from the product control panel within 2 minutes of pressing the WPS button on your router.
- If you are connecting the product wirelessly via EpsonNet Setup and the Wi-Fi icon on your product's LCD screen is not lit, make sure your product software was installed correctly. If necessary, reinstall your software.

Note: If you are using a 5 GHz wireless router, set the router to operate in dual band (2.4 GHz and 5 GHz) mode. If your router uses a single network name (SSID) for both the 2.4 GHz and 5 GHz band, give each band its own network name (SSID) instead, such as Home Network 2.4 GHz and Home Network 5 GHz.

Parent topic: [Solving Network Problems](#)

Wired Network Connection Becomes Unstable

When you connect the product to a wired network using a router or access point that supports IEEE 802.3az (Energy Efficient Ethernet), the connection may become unstable, you may be unable to connect to the product, and the communication speed may become slow. If you experience any of these issues, follow the steps below to disable IEEE 802.3az and then connect your product again.

1. Disconnect the Ethernet cables connected to the computer and your product.
2. Disable IEEE 802.3az for the computer's network adapter if it is enabled (check your operating system's Ethernet connection settings).
3. Connect the computer and your product directly with an Ethernet cable.
4. Print a network connection report from your product.
5. Check the printer's IP address on the network connection report.
6. On the computer, open a web browser and enter your product's IP address from the network connection report.
7. Select **Network Settings > Ethernet**.
8. Select **OFF** for IEEE 802.3az. and click **Next**.
9. Click **OK** and remove the Ethernet cable connecting the computer and your product.
10. If you disabled IEEE 802.3az for your computer's network adapter, enable it.
11. Reconnect the Ethernet cables from the router or access point to your computer and product.

If problems still occur, other devices on the network may be causing them.

Parent topic: [Solving Network Problems](#)

Cannot Print Over a Network

If you cannot print over a network, try these solutions:

- Make sure that your product is turned on.
- Make sure you install your product's network software as described in your product documentation.
- Print a network status sheet and verify that the network settings are correct. If the network status is **Disconnected**, check any cable connections and turn your product off and then on again.
- Print a network connection report and check the codes and messages on the report to help determine the cause of the problem.

- If you are using TCP/IP, make sure the product's IP address is set correctly for your network. If your network does not assign IP addresses using DHCP, set the IP address manually.
- Make sure that the latest version of your product's Epson printer driver is installed. If a genuine Epson printer driver is not installed, the available functions are limited.
- If network printing is slow, print a network status sheet and check the signal strength. If it is poor, place your product closer to your router or access point. Avoid placing your product near a microwave oven, cordless phone, or large metal object, such as a filing cabinet.

Note: If you are using a 5 GHz wireless router, set the router to operate in dual band (2.4 GHz and 5 GHz) mode. If your router uses a single network name (SSID) for both the 2.4 GHz and 5 GHz band, give each band its own network name (SSID) instead, such as Home Network 2.4 GHz and Home Network 5 GHz. See your router documentation or contact your internet service provider for instructions.

- Try restarting your router following the instructions in your router documentation.

Note: If you are reading these instructions online, you will lose your Internet connection when you restart your router.

- Check to see if your wireless router or access point has an enabled Privacy Separator function that is preventing printing from a device over the network. See your router or access point documentation for instructions on disabling the Privacy Separator function.
- Check your wired LAN router or access point to see if the LED for the port to which your product is connected is on or flashing. If the link LED is off, try the following:
 - Make sure the Ethernet cable is securely connected to your product and to your router, access point, switch, or hub.
 - Try connecting your product to a different port or a different router, access point, switch, or hub.
 - Try connecting with a different Ethernet cable.
 - Try printing to your product from another computer on the network.

Parent topic: [Solving Network Problems](#)

Related tasks

[Selecting Wireless Network Settings from the Control Panel](#)

[Printing a Network Status Sheet](#)

[Printing a Network Connection Report](#)

Solving Printing Problems

Check these sections if you have problems printing with your product.

[Nothing Prints](#)

[Print Head Moves But Nothing Prints](#)

Parent topic: [Solving Problems](#)

Nothing Prints

If you have sent a print job and nothing prints, try these solutions:

- Make sure your printer is turned on.
- Make sure there are no error messages on the product's LCD screen.
- Make sure any interface cables are connected securely at both ends. If you have a spare cable, try connecting with the spare cable.
- Check the model and specifications of the interface cable to see if the cable is appropriate for your computer and printer.
- If you connected your printer to a USB hub, make sure it is a first-tier hub. If it still does not print, connect your printer directly to your computer instead of the hub.
- Make sure the USB hub is recognized correctly on the computer. Disconnect all USB hubs from the computer and connect the printer directly to the computer's USB port.
- If you have an optional print server connected to the printer, make sure you are not saving the print job to the hard drive.
- Make sure the USB cable length does not exceed 10 feet (3 m).

Parent topic: [Solving Printing Problems](#)

Related references

[Interface Specifications](#)

Print Head Moves But Nothing Prints

If the print head is moving and nothing prints, try these solutions:

- Print a nozzle check pattern. If the pattern does not print correctly, clean the print head again. (If the printer has not been used for a long time the nozzles may be clogged.)
- If you see the message **Motor Self Adjustment Running** on the product's LCD screen, the printer is adjusting its internal motor. Wait a few moments for the message to disappear and do not turn off the printer.

Parent topic: [Solving Printing Problems](#)

Related concepts

[Print Head Nozzle Check](#)

[Print Head Cleaning](#)

Solving Paper Problems

Check these sections if you have problems using paper with your product.

[Paper Feeding Problems](#)

[Roll Paper Jam Problems](#)

[Cut Sheet Paper Jam Problems](#)

[Paper Does Not Collect in the Basket or is Creased](#)

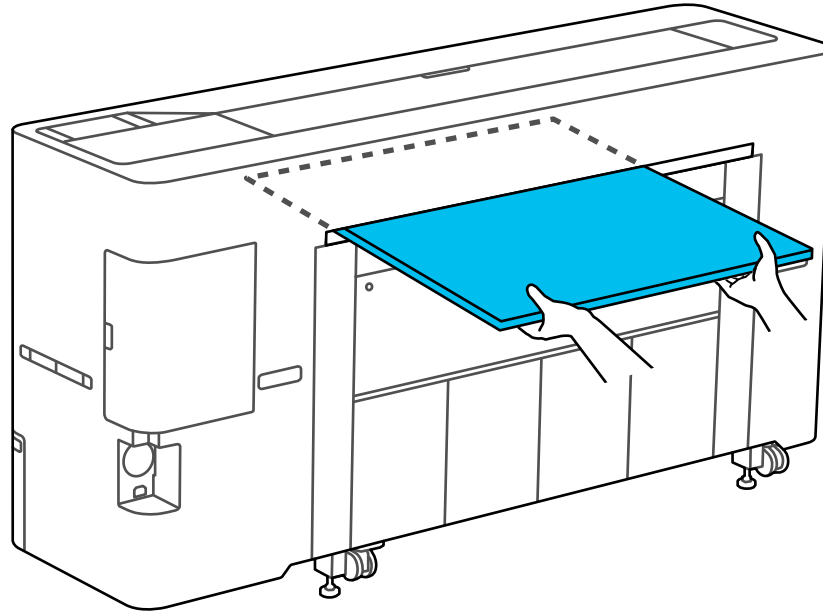
Parent topic: [Solving Problems](#)

Paper Feeding Problems

If you have problems feeding paper, try these solutions:

- Make sure paper is loaded in the correct orientation. Load cut sheets vertically (short edge first).
- For best results, follow these guidelines:
 - Use new, smooth, high-quality paper that is not damp, curled, creased, old, too thin, or too thick.
 - Follow any special loading instructions that came with the paper.
- If roll paper does not feed, cut the end straight across and uncurl it by rolling it backward, if necessary. Then reload the paper.
- If you cannot insert paper easily into the paper feed slot, make sure the paper is perfectly flat and not curled.
- Do not load more than one piece of cut sheet paper.
- Make sure your paper meets the specifications for your product.

- If poster board does not feed, make sure you are loading it straight into the product, not at an angle. Guide the poster board as shown to keep it horizontal.



- If paper feeds at an angle, make sure **Detect Paper Skew** is set to **On** in the **Printer Settings** menu.
- If paper does not eject correctly, decrease the **Paper Suction** setting for the loaded paper type.
- Make sure that paper is not jammed inside the product.
- Make sure you are using the product at the proper room temperature.
- If roll marks appear on the paper during automatic feeding, select **General Settings > Printer Settings > Paper Source Settings > Roll Paper Setup** on the product control panel and turn **Auto Loading > Off**. If roll marks still remain, feed the paper manually until you hear the printer beep twice, then manually switch out the roll.

Parent topic: [Solving Paper Problems](#)

Related references

[Paper Setting Menu](#)

[Paper Specifications](#)

Related tasks

[Selecting Basic Print Settings - Windows](#)

[Selecting Basic Print Settings - Mac](#)

Related topics

[Roll Paper Handling](#)

[Cut Sheet Handling](#)

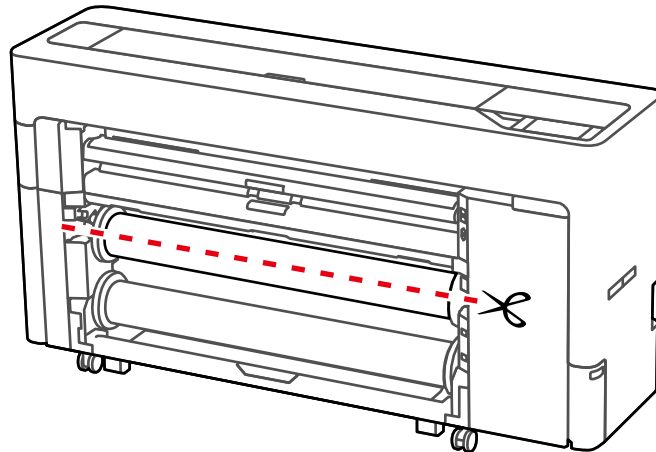
Roll Paper Jam Problems

If roll paper has jammed in the printer, follow the steps here to clear the jam.

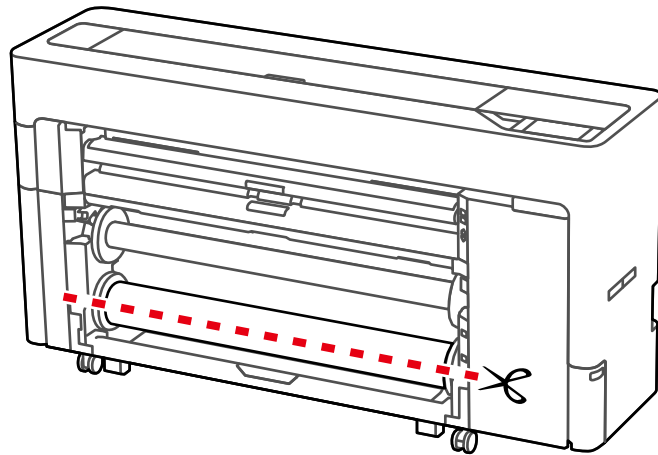
Note: The illustrations shown may differ from your model, but the instructions are the same unless otherwise noted.

1. Cut the paper at the area shown for each roll.

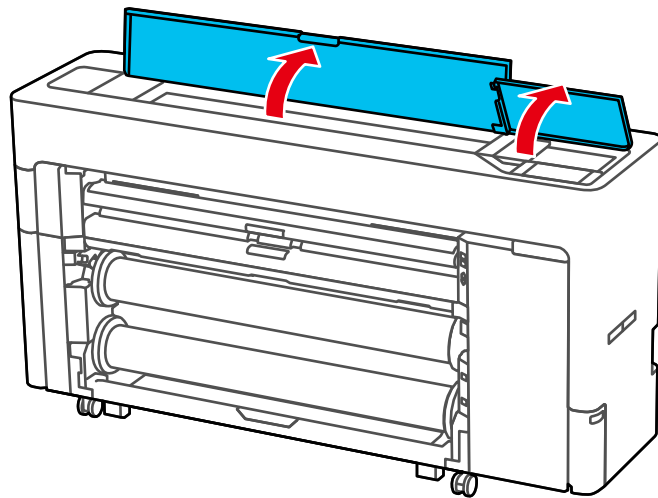
Roll 1/Roll



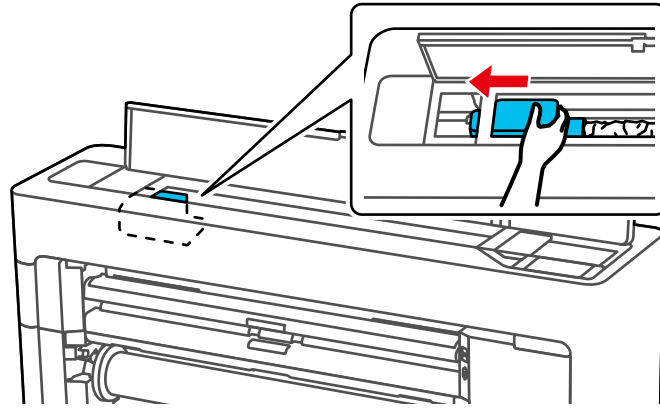
Roll 2 (not available on SureColor P6570E/T3770E)



2. Open the printer covers.

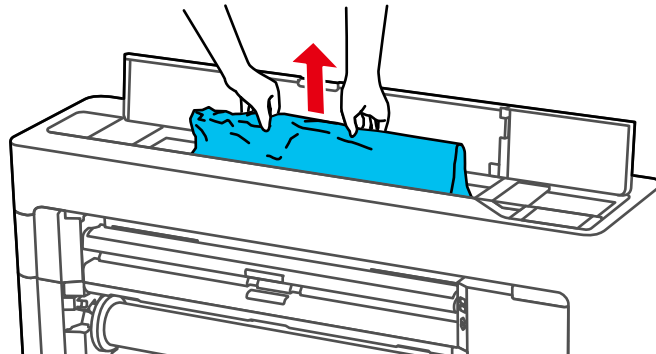


3. Carefully slide the print head away from the paper jam as shown.

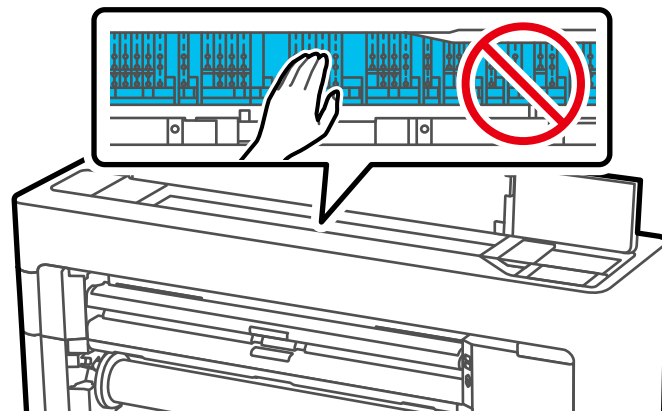


Caution: Do not touch the print head unless you are removing a paper jam. Touching the print head or the surrounding cables may cause a static shock and damage the printer.

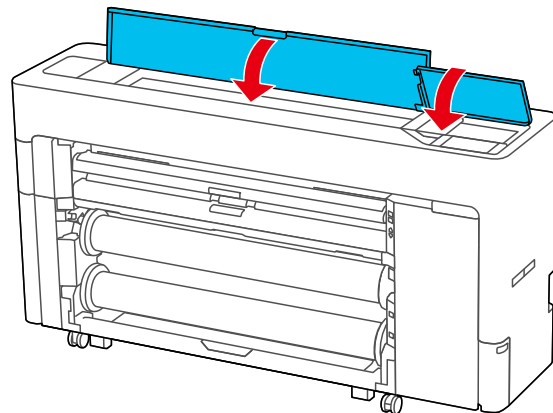
4. Remove the jammed paper.



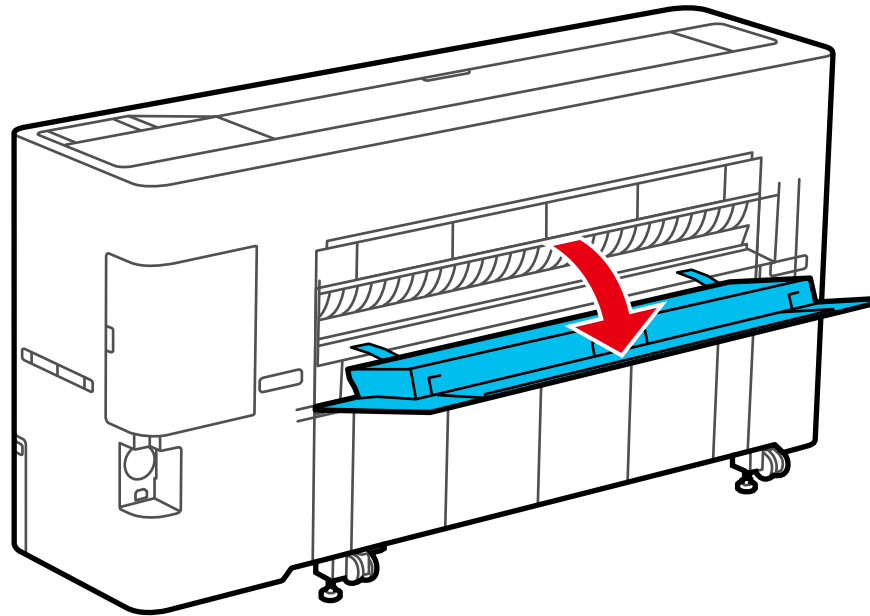
Caution: Do not touch the rollers, ink absorbing areas, or ink tubes shown here or you may damage the printer.



5. Close the printer covers.



6. If there is any paper left inside the printer, open the rear cover and remove the paper.



7. Turn the printer off and back on again.
8. Cut the edge of the roll paper straight horizontally, then reload the roll paper.

Note: Make sure to cut off any jagged or folded sections of paper.

Parent topic: [Solving Paper Problems](#)

Related tasks

[Cutting Roll Paper Manually](#)

Related topics

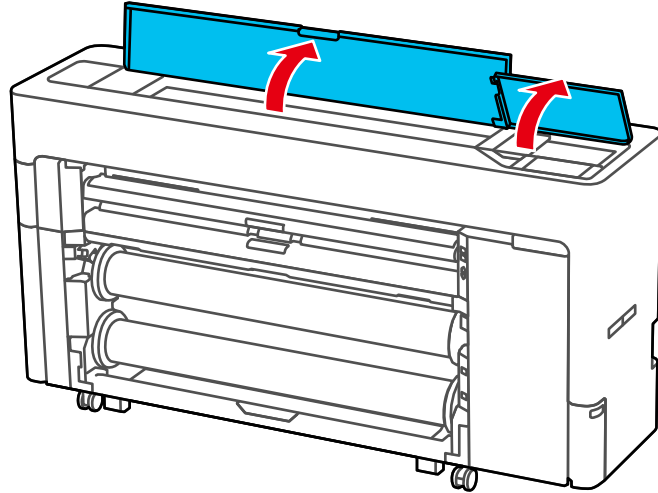
[Roll Paper Handling](#)

Cut Sheet Paper Jam Problems

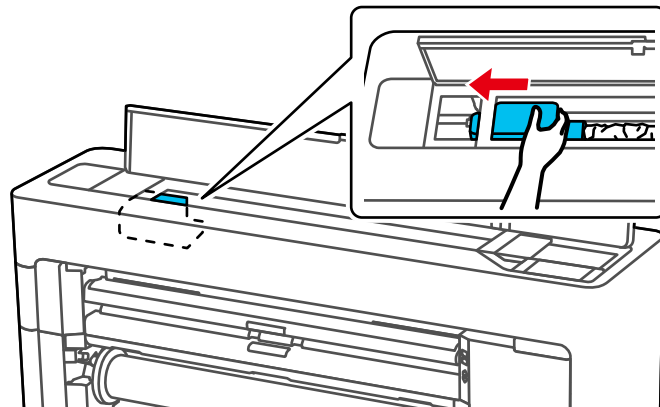
If cut sheet paper has jammed in the printer, follow the steps here to clear the jam.

Note: The illustrations shown may differ from your model, but the instructions are the same unless otherwise noted.

1. Open the printer covers.

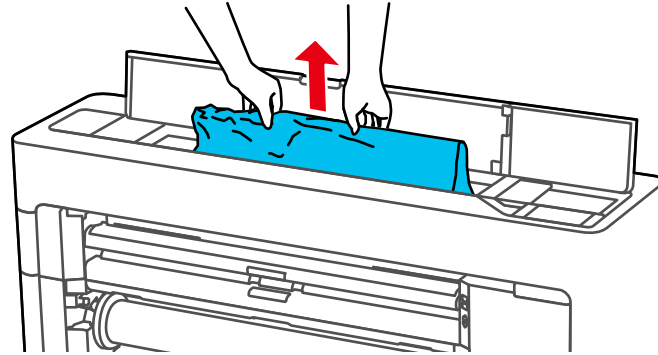


2. Carefully slide the print head away from the paper jam as shown.

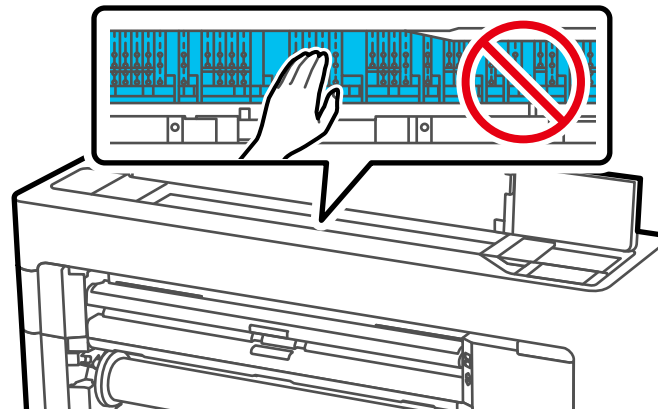


Caution: Do not touch the print head unless you are removing a paper jam. Touching the print head or the surrounding cables may cause a static shock and damage the printer.

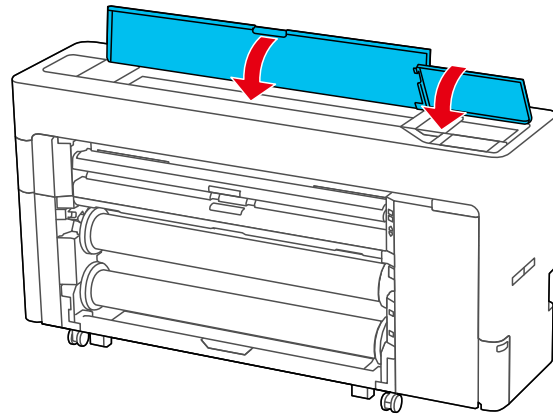
3. Remove the jammed paper.



Caution: Do not touch the rollers, ink absorbing areas, or ink tubes shown here or you may damage the printer.



4. Close the printer covers.



5. Turn the printer off and back on again.
6. Reload the paper, making sure it is not skewed.

Parent topic: [Solving Paper Problems](#)

Related topics

[Cut Sheet Handling](#)

Paper Does Not Collect in the Basket or is Creased

If paper does not collect correctly in the paper basket, try these solutions:

- If paper does not collect in the basket, gently press on the paper basket as paper is ejected from the printer. This prevents the paper from catching on the basket.
- If the paper folds after cutting, set the **Auto Cut** setting to **Off**. Cut the paper manually while supporting the print.
- If the paper creases and does not collect in the basket, close the basket and resume printing. Before the paper reaches floor, hold the paper with both hands and continue to support it until printing is complete. Do not load more than one piece of cut sheet paper at a time.
- Make sure you are printing at normal room temperatures (59 to 77° F [15 to 25° C]) and humidity.

Parent topic: [Solving Paper Problems](#)

Solving Print Quality Problems

Check these sections if you have problems with print quality.

[Nozzle Check Pattern Prints Incorrectly](#)

[Overall Print Quality is Poor](#)

[Lines Are Misaligned](#)

[Prints are Scuffed or Smearred](#)

[Prints are Wrinkled](#)

[Margins Appear in Borderless Prints](#)

Parent topic: [Solving Problems](#)

Nozzle Check Pattern Prints Incorrectly

If the nozzle check pattern does not print correctly, try these solutions:

- Clean the print head and print the check pattern again. If cleaning the print head several times does not solve the problem, use a stronger print head cleaning level.
- If nozzles are still clogged after head cleaning at the strongest level, leave the product turned off overnight and check the nozzles again. If you still cannot clear the nozzles, contact Epson support.
- If the printer has not been used for a long time, nozzles may be dried and clogged. Turn the printer on at least once every few weeks and print a nozzle check pattern to prevent the nozzles from clogging.

Parent topic: [Solving Print Quality Problems](#)

Related concepts

[Print Head Nozzle Check](#)

[Print Head Cleaning](#)

[Ruled Line Alignment](#)

Related tasks

[Running a Power Cleaning Using the Product Control Panel](#)

Overall Print Quality is Poor

If you notice that your print quality is uneven, too light, too dark, or there are lines in the print (banding), try these solutions:

- Run a nozzle check to see if any of the print head nozzles are clogged. Then clean the print head, if necessary.
- Align the print head.

- Make sure you are using genuine Epson ink cartridges. If you use non-Epson ink cartridges, printouts may be faint, or the color of the printed image may be uneven because the remaining ink level is not correctly detected.
- Make sure your ink cartridges have not expired. For best results, use ink cartridges before the expiration date printed on the package (within one year of installation in the printer). Replace expired cartridges with new ones.
- Shake the cartridges before installing them in the printer. To maintain optimum print quality, remove and shake the installed cartridges every six months or if the printer has not been used in the last three months.
- Make sure you selected the correct **Media Type** setting in the printer driver that matches the paper loaded in the printer.
- Compare the print result with the image on your computer screen. Since monitors and printers produce colors differently, printed colors and screen colors do not always look the same.
- Make sure that the printer cover is closed during printing.
- Check the ink levels on the LCD screen. Replace any cartridges that are low on ink.
- Enable color management in the software application or in the printer driver.
- If you are using non-Epson media, make sure you create a custom paper configuration for the media.
- Check the quality setting that you selected in the printer driver. Using a faster printing method may decrease the overall print quality.
- If colors are uneven near the leading edge of the print, add a larger margin. In the print driver, you can also set **Quality Options > Paper Edge Quality** to **Add Top Margin** or **Optimize Media Edge Print Quality**.

Parent topic: [Solving Print Quality Problems](#)

Related concepts

[Print Head Nozzle Check](#)

[Ruled Line Alignment](#)

Related tasks

[Removing and Installing Ink Cartridges](#)

[Selecting Basic Print Settings - Windows](#)

[Selecting Basic Print Settings - Mac](#)

[Creating Custom Paper Settings](#)

Lines Are Misaligned

With bidirectional printing, the print head prints while moving left and right. If the print head is misaligned, ruled lines may be misaligned as a result. If you see vertical lines in the (bidirectional) print output, align the print head.

Parent topic: [Solving Print Quality Problems](#)

Related concepts


[Ruled Line Alignment](#)

Prints are Scuffed or Smear

If your prints are scuffed or smeared, try these solutions:

- Make sure your paper meets the specifications for your product.
- Do not use paper with folds or creases and always use new media.
- If you are using cut sheet paper, check that changes in humidity and temperature have not made the paper wavy or curled up on the edges. Flatten the paper before loading it or use new paper.
- If the surface of the paper is scuffed, select a wider **Platen Gap** setting. If results do not improve, set **Custom Paper Setting > Paper Eject Roller to Use**.

Caution: The **Paper Eject Roller** setting may damage glossy paper.

- If ink is smeared on your prints, clean the rollers. Load blank paper and select  > **Forward** to feed it through the printer.
- If you are using non-Epson media, make sure you create a custom paper configuration for the media.
- Make sure the **Paper Size Check** setting is set to **On**, or the printer may print outside the edges of the loaded paper and smear ink on the back of the print.
- Depending on the print density and type of paper you are using, the ink may take a while to dry. Do not stack the prints until the ink is completely dry.
- Make sure that the printer driver's **Media Type** settings match the paper that you are using.
- If the bottom edge is scuffed, try widening the bottom margin. Set **Top Margin** to **45 mm** and **Bottom Margin** to **15 mm**.
- If the trailing edge is scuffed while printing, create your data with a wider margin. If the situation does not improve, select **Optimize Edge Quality** from the printer driver.
- If you are printing multiple pages and **Auto Cut** is set to **Never Cut**, the area between pages may be scuffed. Set **Margin Between Pages** to **65mm** from **Custom Paper Setting**.

- Try cleaning the area around the print head, caps, and wipers.

Parent topic: [Solving Print Quality Problems](#)

Related references

[Paper Specifications](#)

Related tasks

[Cleaning the Roll Paper Feeder](#)

[Creating Custom Paper Settings](#)

Related topics

[Cutting Roll Paper](#)

Prints are Wrinkled

If you see wrinkles on your prints, try the following to solve the problem:

- Dry the paper after printing.
- Roll out the paper and stretch it.
- Lower the color density in the **Paper Configuration** dialog in the printer driver.
- Lower the resolution in the **Print Quality** setting in the printer driver.
- Make sure you are operating the printer at normal room temperature. The normal operating range for Epson special media is 59 to 77 °F (15 to 25°C), 40 to 60% humidity. For information about other paper types, see the documentation supplied with the paper.
- Make sure you selected the correct **Media Type** setting in the printer driver that matches the paper loaded in the printer.
- If you are using non-Epson media, make sure you create a custom paper configuration for the media.

Parent topic: [Solving Print Quality Problems](#)

Margins Appear in Borderless Prints

If borderless prints still have margins, try these solutions:

- Check the print settings selected in your print application you are using, as well as the printer driver.
- Make sure that the paper settings on the LCD screen match the paper you loaded.
- Make sure borderless enlargement is not set to **Min** in the printer driver.
- Paper that is stored incorrectly may expand or contract. Make sure you have stored the paper according to the manufacturer's specifications.

- Check that the paper you are using supports borderless printing.
- If you are using roll paper, change the **Adjust Cut Position** setting. This may reduce the margins at the top and bottom of the print.

Parent topic: [Solving Print Quality Problems](#)

Related references

[Borderless Paper Type Compatibility](#)

[Paper Specifications](#)

Related tasks

[Selecting Basic Print Settings - Windows](#)

[Selecting Basic Print Settings - Mac](#)

Related topics

[Roll Paper Handling](#)

[Cut Sheet Handling](#)

Solving Scanning Problems (SureColor T5770DM/T7770DM)

Check these sections if you have problems scanning with the integrated scanner in your product.

[Cannot Feed Originals Correctly](#)

[Removing a Jammed Original \(SureColor T5770DM/T7770DM\)](#)

[Scanned Image is Misaligned](#)

[Lines Appear on Scanned or Copied Documents](#)

[Scanned Image Size Does Not Match Print Size](#)

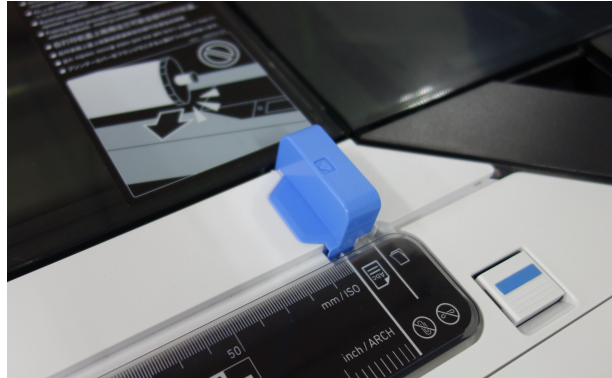
[Scanner Slot Has Detached](#)

Parent topic: [Solving Problems](#)

Cannot Feed Originals Correctly

If you cannot feed originals into the scanner successfully, try these solutions:

- Make sure the scanner edge guide is placed correctly. The right edge of the original should be lined up straight.



Note: Remove the scanner edge guide if you are using the carrier sheet.

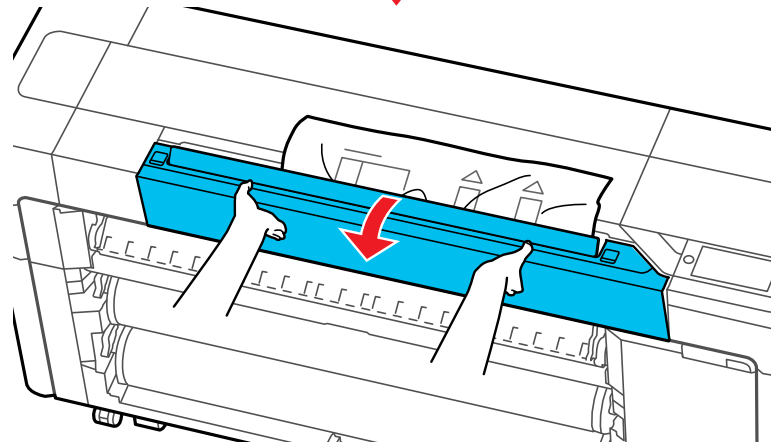
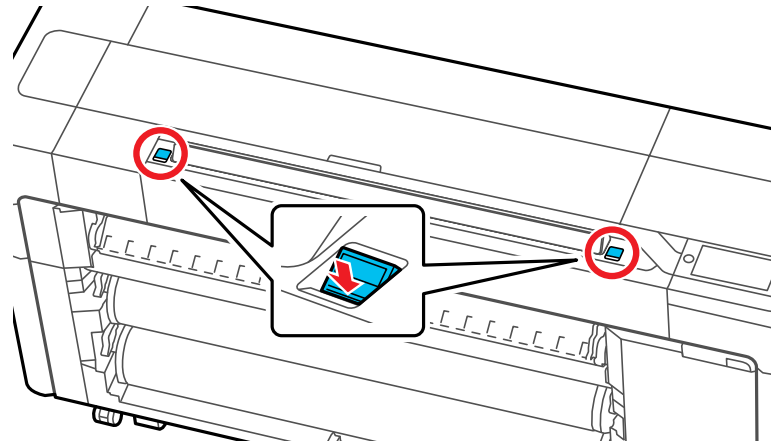
- Make sure the loaded original is not skewed. Reload the original if it is skewed.
- If the original is folded, unfold it. Folded originals may cause the **Auto Detect** setting to misread the size of the original.
- Clean inside the scanner.
- Make sure the document type can be loaded.

Parent topic: [Solving Scanning Problems \(SureColor T5770DM/T7770DM\)](#)

Removing a Jammed Original (SureColor T5770DM/T7770DM)

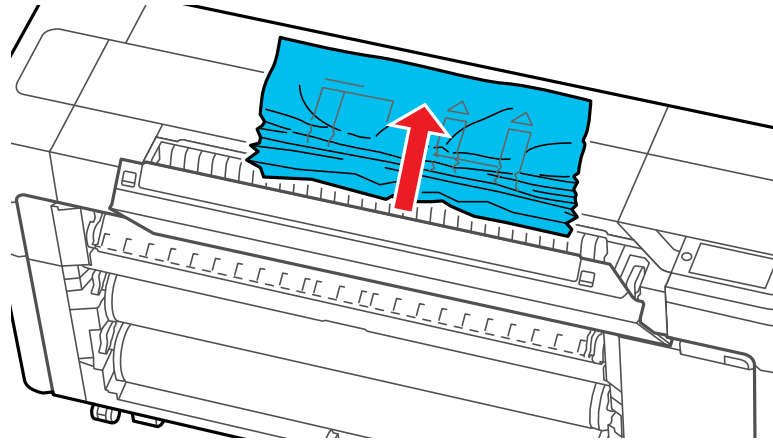
To remove a jammed original from the integrated scanner, follow the steps below.

1. Open the scanner cover.

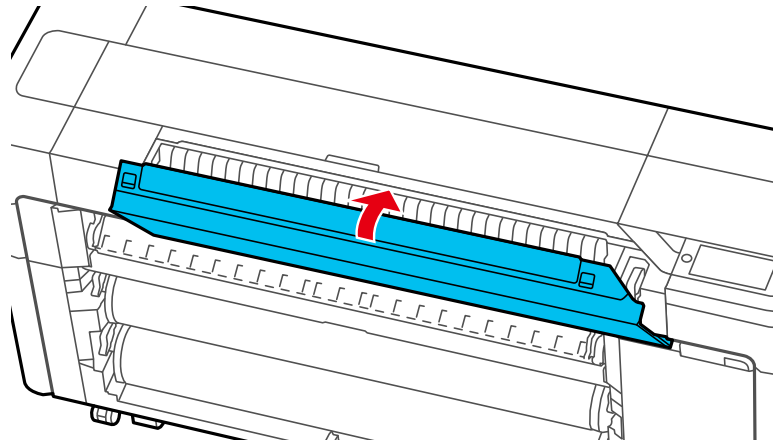


Caution: When opening and closing the scanner cover, keep your hands away from the gap between the scanner cover and the printer. Otherwise, your fingers or hands may be injured.

2. Gently removed the jammed original from inside the scanner.



3. Close the scanner cover.



Parent topic: [Solving Scanning Problems \(SureColor T5770DM/T7770DM\)](#)

Scanned Image is Misaligned

If the scanned image is not aligned correctly, try these solutions:

- Change the direction of the original.
- If the original is curled, try to correct the curl before loading the original.
- Perform **Image Stitching Adjustment**.
- Use the optional carrier sheet.

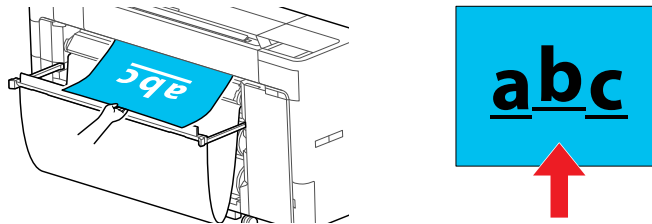
[Adjusting Scanned Image Stitching](#)

Parent topic: [Solving Scanning Problems \(SureColor T5770DM/T7770DM\)](#)

Adjusting Scanned Image Stitching

If your scanned images are not aligned correctly, you can adjust the way the image is stitched together.

In the image below, the scanned image is misaligned in the center. The arrow shows the feed direction of the original.

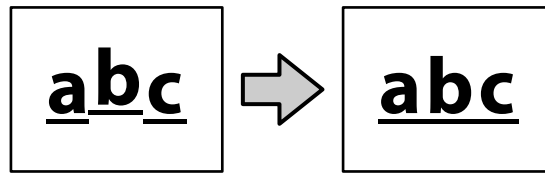


1. Press the  home button, if necessary.
2. Select  > **General Settings** > **Scan Settings** > **Scan Options** > **Image Stitching Adjustment**.

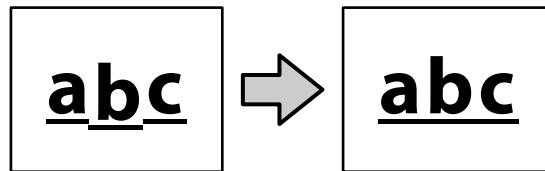
You see a screen like this:



3. Tap the adjustment value area to adjust the value directly, or use the +/- buttons to change the value. Shifting the value of the adjustment by 1 will correct the misalignment by approximately 0.1 mm. Increase the value to correct alignment like this:



Decrease the value to correct alignment like this:



4. Select **OK** to finish entering the value.

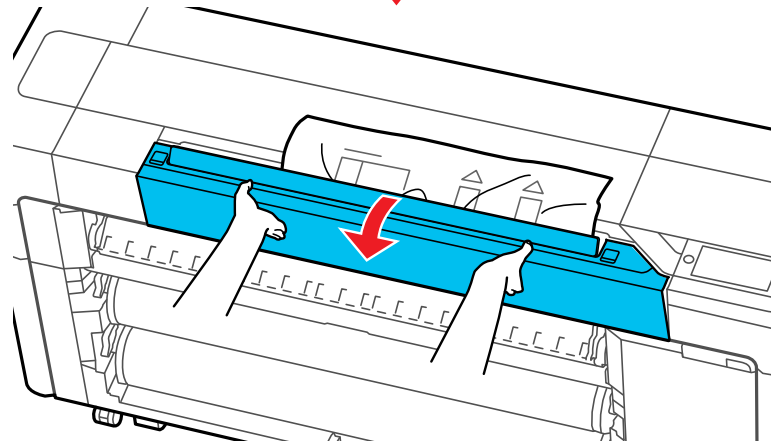
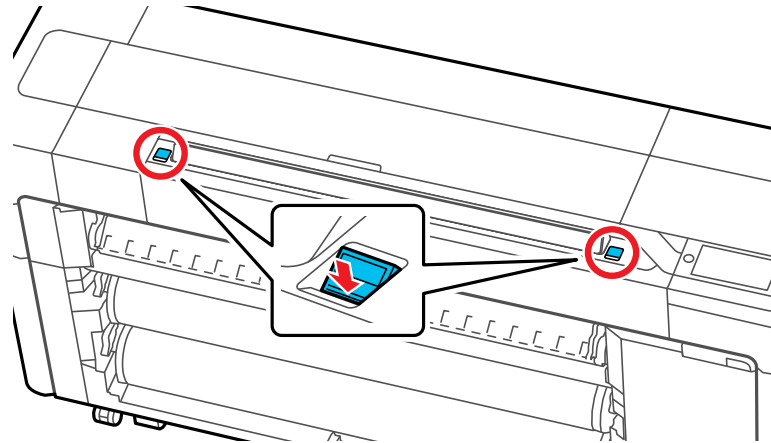
Parent topic: [Scanned Image is Misaligned](#)

Lines Appear on Scanned or Copied Documents

If lines appear on copy results or scanned images, clean the inside of the scanner.

Caution: Never use volatile chemicals such as thinner, benzene, or alcohol. Doing so could damage the scanner.

1. Open the scanner cover.



Caution: When opening and closing the scanner cover, keep your hands away from the gap between the scanner cover and the printer. Otherwise, your fingers or hands may be injured.

2. Use a soft, lint-free cloth to carefully wipe the inside of the scanner.





Caution: Use only a dry, soft cloth. Do not use liquid or chemical cleansers. Do not use brushes or other hard objects to clean inside the scanner; they may scratch the glass surface and affect the print quality.

Parent topic: [Solving Scanning Problems \(SureColor T5770DM/T7770DM\)](#)

Scanned Image Size Does Not Match Print Size

If your roll paper printouts need to match the length of your scanned or copied files exactly, you can adjust the document feed.

1. Press the  home button, if necessary.
2. Select  > **General Settings** > **Scan Settings** > **Scan Options** > **Document Feed Adjustment**.
3. Tap the adjustment value area to adjust the value directly, or use the +/- buttons to change the value.

The adjustment value is calculated using the following formula:

[Length of Original]/[Length of Print Result]×100-100 with the result rounded at the second decimal.

For example, if the length of the original is 50 cm, and the print result is 50.1 cm, the formula would look like:

$$50 / 50.1 \times 100 - 100 = -0.1996 \text{ rounded to } -0.2$$

You would enter -0.2 as the adjustment value.

4. Select **OK** to enter the value.

Parent topic: [Solving Scanning Problems \(SureColor T5770DM/T7770DM\)](#)

Scanner Slot Has Detached

If the scanner slot has detached from the printer, open the scanner cover and reinstall the scanner slot. Insert the scanner slot from the left side, as shown.



Parent topic: [Solving Scanning Problems \(SureColor T5770DM/T7770DM\)](#)

Uninstall Your Product Software

If you have a problem that requires you to uninstall and re-install your software, follow the instructions for your operating system.


[Uninstalling Product Software - Windows](#)

[Uninstalling Product Software - Mac](#)

Parent topic: [Solving Problems](#)

Uninstalling Product Software - Windows

You can uninstall and then re-install your printer software to solve certain problems.

1. Turn off the product.
2. Disconnect any interface cables.
3. Close all applications running on your computer.
4. Do one of the following:
 - **Windows 10:** Right-click  and select **Control Panel > Programs > Programs and Features**. Select the uninstall option for your Epson product, then select **Uninstall/Change**.

Note: If you see a **User Account Control** window, click **Yes** or **Continue**.

Select your product again, if necessary, then select **OK**, and click **Yes** to confirm the uninstallation.

- **Windows 8.x:** Navigate to the **Apps** screen and select **Control Panel > Programs > Programs and Features**. Select the uninstall option for your Epson product, then select **Uninstall/Change**.

Note: If you see a **User Account Control** window, click **Yes** or **Continue**.

Select your product again, if necessary, then select **OK**, and click **Yes** to confirm the uninstallation.

- **Windows (other versions):** Click  or **Start**, and select **All Programs** or **Programs**. Select **Epson**, select your product, then click **EPSON Printer Software Uninstall**.

Note: If you see a **User Account Control** window, click **Yes** or **Continue**.

In the next window, select your product and click **OK**. Then follow any on-screen instructions.

5. Restart your computer, then re-install your software.

Note: If re-installing your product software does not solve a problem, contact Epson support.

Parent topic: [Uninstall Your Product Software](#)

Uninstalling Product Software - Mac

In most cases, you do not need to uninstall your product software before re-installing it. However, you can download the Uninstaller utility from the Epson support website to uninstall your product software as described here.

Note: If re-installing your product software does not solve a problem, contact Epson support.

1. To download the Uninstaller utility, visit epson.com/support (U.S.), epson.ca/support (Canada), or latin.epson.com/support (Latin America) and select your product.
2. Click **Downloads**.
3. Select your operating system, click **Utilities**, locate the Uninstaller utility, and click **Download**. (If you do not see an Uninstaller utility, search for "Uninstaller" using the site search field.)
4. Run the file you downloaded.
5. Double-click the **Uninstaller** icon.
6. In the Epson Uninstaller screen, select the checkbox for each software program you want to uninstall.
7. Click **Uninstall**.
8. Follow the on-screen instructions to uninstall the software.
9. Reinstall your product software.

Note: If you uninstall the printer driver and your product name remains in the **Print & Fax**, **Print & Scan**, or **Printers & Scanners** window, select your product name and click the – (remove) icon to remove it.

Parent topic: [Uninstall Your Product Software](#)

Where to Get Help (U.S. and Canada)

Epson provides technical support and information on the installation, configuration, and operation of professional printing products through the Epson Preferred Limited Warranty Plan. Dial (888) 377-6611, 7 a.m. to 4 p.m., Pacific Time, Monday through Friday. Days and hours of support are subject to change without notice.

Note: If you experience difficulty with the toll-free number, call (562) 276-1305 (U.S.).

Before you call, make sure you have your printer serial number and proof of purchase.

Visit epson.com/support (U.S.) or epson.ca/support (Canada) and select your product for solutions to common problems. You can download drivers, firmware, and documentation, get FAQs and troubleshooting advice, or e-mail Epson with your questions.

Note: For help using any other software on your system, see the documentation for that software for technical support information.

Purchase Supplies and Accessories

You can purchase genuine Epson ink, paper, and accessories from an Epson authorized reseller. To find the nearest reseller, visit proimaging.epson.com (U.S.) or proimaging.epson.ca (Canada), select your product series and product, and click the **Where to Buy** button. Or call 800-GO-EPSON (800-463-7766) in the U.S. or 800-807-7766 in Canada.

Parent topic: [Solving Problems](#)

Where to Get Help (Latin America)

If you need additional help with your Epson product, contact Epson.

Epson provides these technical support services:

Internet Support

Visit Epson's support website at latin.epson.com/support and select your product for solutions to common problems. You can download drivers, firmware, and documentation, get FAQs and troubleshooting advice, or e-mail Epson with your questions.

Note: For help using any other software on your system, see the documentation for that software for technical support information.

Speak to a Support Representative

Before you call Epson for support, please have the following information ready:

- Product name
- Product serial number (located on a label on the product)
- Proof of purchase (such as a store receipt) and date of purchase
- Computer configuration
- Description of the problem

Then call:

Country	Telephone
Argentina	(54 11) 5167-0300 0800-288-37766
Bolivia*	800-100-116
Brazil	For the support phone number for your product, visit Epson's support website at epson.com.br/suporte , select your product, and click the Contact Us tab.
Chile	(56 2) 2484-3400
Colombia	Bogota: (57 1) 602-4751 Other cities: 01-8000-915235
Costa Rica	800-377-6627
Ecuador*	1-800-000-044
El Salvador*	800-6570
Guatemala*	1-800-835-0358
Mexico	Mexico City: (52 55) 1323-2052 Other cities: 01-800-087-1080
Nicaragua*	00-1-800-226-0368
Panama*	00-800-052-1376
Paraguay	009-800-521-0019
Peru	Lima: (51 1) 418-0210 Other cities: 0800-10-126
Uruguay	00040-5210067
Venezuela	(58 212) 240-1111

* Contact your local phone company to call this toll-free number from a mobile phone.

If your country does not appear in the list, contact the sales office in the nearest country. Toll or long distance charges may apply.

Purchase Supplies and Accessories

You can purchase genuine Epson ink, paper, and accessories from an Epson authorized reseller. To find the nearest reseller, visit latin.epson.com or call your nearest Epson sales office.

Parent topic: [Solving Problems](#)

Technical Specifications

These sections list the technical specifications for your product.

Note: Epson offers a recycling program for end of life Epson products. Please go to [this site](#) (U.S.) or [this site](#) (Canada) for information on how to return your Epson products for proper disposal.

[Windows System Requirements](#)

[Mac System Requirements](#)

[Printing Specifications](#)

[Paper Specifications](#)

[Printable Area Specifications](#)

[Ink Specifications](#)

[Dimension Specifications](#)

[Electrical Specifications](#)

[Environmental Specifications](#)

[Interface Specifications](#)

[Network Interface Specifications](#)

[Scanning Specifications \(SureColor T5770DM/T7770DM\)](#)

[Safety and Approvals Specifications](#)

Windows System Requirements

To use your product and its software, your computer should meet these requirements.

Microsoft Windows OS version (32- and 64-bit compatible)	Windows 11, Windows 10, Windows 8.x, Windows 7, Windows Server 2022, Windows Server 2019, Windows Server 2016, Windows Server 2012 R2, Windows Server 2012, Windows Server 2008 R2, Windows Server 2008, Windows Server 2003 R2, Windows Server 2003 SP2 or later
CPU	Intel Core 2 Duo 3.05 GHz or more
Memory	1GB or more
Hard disk space available	32GB or more
Display resolution	WXGA (1280 × 800) or higher

Connection method	USB, Ethernet, or Wi-Fi
-------------------	-------------------------

Note: For the latest product software available for your operating system, visit the Epson support site at epson.com/support (U.S.), epson.ca/support (Canada), or latin.epson.com/support (Latin America), select your product, and select **Downloads**.

Parent topic: [Technical Specifications](#)

Mac System Requirements

To use your product and its software, your Mac should meet these requirements.

OS X version	10.9.5 or later
CPU	Intel Core2 Duo 2 GHz or more
Memory	2 GB or more
Hard disk space available	8 GB or more
Display resolution	WXGA+ (1280 × 800) or higher
Connection method	USB, Ethernet, or Wi-Fi

Note: For the latest product software available for your operating system, visit the Epson support site at epson.com/support (U.S.), epson.ca/support (Canada), or latin.epson.com/support (Latin America), select your product, and select **Downloads**.

Parent topic: [Technical Specifications](#)

Printing Specifications

Printing method	On-demand inkjet
Printhead	PrecisionCore MicroTFP
Nozzle configuration	9600 nozzles (1600 nozzles × 6 colors)
Ink droplet volume	3.5 pl minimum
Resolution	2400 × 1200 dpi maximum
Built-in memory	4 GB

Printer language	SureColor P6570DE/P6570E/T3770DE/T3770E: ESC/P raster (undisclosed command), HP-GL/2, HP RTL SureColor P6570D/P8570D/P8570DL/T3770D/T5770D/T5770DM/T7770D/T7770DL/T7770DM: ESC/P raster (undisclosed command), HP-GL/2, HP RTL, Adobe PostScript 3, Adobe PDF 1.7
-------------------------	--

Parent topic: [Technical Specifications](#)

Paper Specifications

Note: Since the quality of any particular brand or type of paper may be changed by the manufacturer at any time, Epson cannot guarantee the quality of any non-Epson brand or type of paper. Always test a sample of paper stock before purchasing large quantities or printing large jobs.

Roll paper

Supported paper sizes vary by model.

Paper feed method	Friction feed
Core size	2 inches (51 mm) and 3 inches (76 mm)
Outer diameter	Up to 6.69 inches (170 mm)
Width	Varies by model (see the link below)
Thickness	Plain paper: 0.003 to 0.03 inches (0.07 to 0.8 mm)
Weight	Up to 27.55 lbs (12.5 kg)

Cut sheet/poster board (manual feed)

Supported paper sizes vary by model.

Thickness	0.003 to 0.03 inches (0.07 to 0.8 mm) Poster board: 0.031 to 0.059 inch (0.8 to 1.5 mm)
Length	8.66 to 63 inches (220 to 1600 mm)
Width	Varies by model (see the link below)

Parent topic: [Technical Specifications](#)

Related references

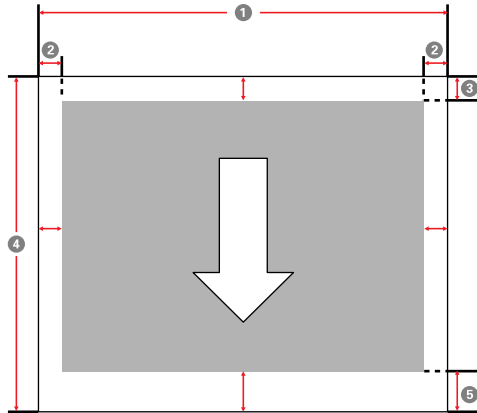
[Supported Paper Widths](#)

Printable Area Specifications

In the illustrations below, the gray area represents the printable area; the white arrow indicates the direction in which the paper is ejected. If the margin set in an application is larger than the following setting values, sections beyond the specified margins are not printed. For example, if 15 mm is selected for the left and right margins in the printer menus and the document fills the page, the 15 mm at the left and right sides of the page will not be printed.

Note: When printing borderless, quality may decline in the expanded printable area.

Roll paper



Note: Margins may change depending on the **Top Margin** setting that you select. If you select **Save Roll Paper** as the Roll Paper Option on the printer driver's Advanced tab, the top and bottom margins of the paper are set to 0 mm. The margins listed below are the standard settings. When printing with the left and right borderless setting, the left and right margins are set to 0 mm. When printing with the borderless on all sides setting, all margins are set to 0 mm.

- 1 Printable width: Varies by model (see the link below)
- 2 Left/right margin: 0.12 to 0.59 inches (3 to 15 mm)

- 3 Top margin: 0.12 to 0.59 inches (3 to 15 mm)*
- 4 Printable length: up to 298 feet (91 m)**

Note: Actual maximum print length depends on print application, paper size, printer driver settings, and operating system.

- 5 Bottom margin: 0.12 to 1.77 inches (3 to 45 mm)*

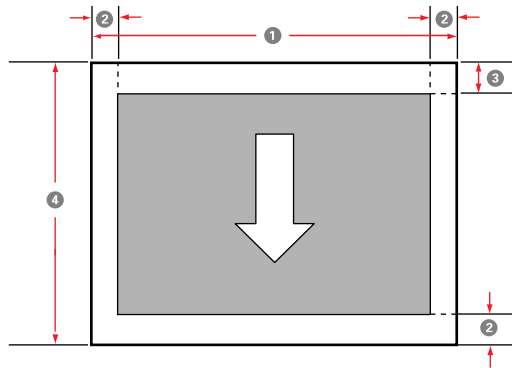
* For these paper types the default top and bottom margins are 0.8 inch (20 mm): Epson Premium Glossy Photo Paper (250), Epson Premium Semigloss Photo Paper (250), Epson Premium Luster Photo Paper (260), and Epson Premium Semimatte Photo Paper (250). When printing on Epson Singleweight Matte Paper in **CAD/Line Drawing** mode, the default top and bottom margins are 0.12 inches/0.59 inches (3 mm/15 mm).

** The maximum printable length using the Epson driver on Windows is 298 feet (91 m). To print longer images, you need to use third-party banner printing software and select **Roll Paper (Banner)** as the **Source** setting in the printer driver.

Note: Actual maximum print length depends on print application, paper size, printer driver settings, and operating system. Even if the margins change, the printed size does not change.

Note: Printing is distorted when the trailing edge of the roll paper comes off the core. Make sure the trailing edge does not come inside the printing area.

Cut sheets



Note: When printing borderless, the left and right margins are set to 0. (Borderless printing is not available with poster board.)

- 1 Printable width: Varies by model (see the link below)
- 2 Left/right/bottom margin: 0.12 inches (3 mm)
- 3 Top margin: 0.5 inches (12.7 mm)
- 4 Printable length: 8.66 to 62.99 inches (220 to 1600 mm)

Note: The smallest size supported by the printer is 10 inches (254 mm) wide by 5 inches (127 mm) long. If you create a custom paper size that is smaller than 10 × 5 inches (254 × 127 mm), the document will print with wider-than-expected margins, which must be trimmed.

Parent topic: [Technical Specifications](#)

Related references

[Supported Paper Widths](#)

Ink Specifications

Note: This product is designed to work with genuine Epson inks. Non-Epson ink or any other ink not specified for this printer could cause damage not covered by Epson's warranties.

Type	Dedicated ink cartridges SureColor P6570D/P6570DE/P6570E/P8570D: UltraChrome PRO 6 ink SureColor T3770D/T3770DE/T3770E/T5770D/T5770DM/T7770D/T7770DM: UltraChrome XD3 ink Dedicated ink supply units (ink packs) SureColor P8570DL: UltraChrome PRO 6 ink SureColor T7770DL: UltraChrome XD3 ink
-------------	---

Water-based pigment ink	<p>SureColor P6570D/P6570DE/P6570E/P8570D/P8570DL: Photo Black, Matte Black, Yellow, Magenta, Cyan, Gray</p> <p>SureColor T3770D/T3770DE/T3770E/T5770D/T5770DM/T7770D/T7770DL/T7770DM: Photo Black, Matte Black, Yellow, Magenta, Cyan, Red</p>
Use by date	See the expiration date printed on the package
Print quality guarantee	After installation: 1 year (when stored at normal temperatures)
Temperature	<p>Transporting: -4 to 140 °F (-20 to 60 °C)</p> <ul style="list-style-type: none"> • 72 hours at 140 °F (60 °C) • 4 days at -4 °F (-20 °C) • 1 month at 104 °F (40 °C) <p>Uninstalled: -4 to 104 °F (-20 to 40 °C)</p> <ul style="list-style-type: none"> • 4 days at -4 °F (-20 °C) • 1 month at 104 °F (40 °C) <p>Installed (ink cartridges): 14 to 104 °F (-10 to 40 °C)</p> <ul style="list-style-type: none"> • 4 days at 14 °F (-10 °C) • 1 month at 104 °F (40 °C) <p>Installed (ink packs): -4 to 104 °F (-20 to 40 °C)</p> <ul style="list-style-type: none"> • 4 days at -4 °F (-20 °C) • 1 month at 104 °F (40 °C) <p>Ink freezes at -4 °F (-20 °C)</p> <p>Ink thaws and is usable after 4 hours at 77 °F (25 °C)</p>
Ink capacity	<p>Ink cartridges: 110 ml*, 350 ml, 700 ml</p> <p>Initial charging cartridges: 240 ml</p> <p>*110 ml cartridges may not be available depending on specifications</p> <p>Ink packs: 1600 ml</p> <p>(Initial charging ink packs are not available for SureColor P8570DL/T7770DL)</p>

Parent topic: [Technical Specifications](#)

Related references

[Ink and Maintenance Box Part Numbers](#)

Dimension Specifications

Width	SureColor P6570D/P6570DE/P6570E/T3770D/T3770DE/T3770E: 53.74 inches (1365 mm) SureColor T5770D/T5770DM: 64.76 inches (1645 mm) SureColor P8570D/P8570DL/T7770D/T7770DL/T7770DM: 72.75 inches (1848 mm)
Depth	Printing: 32.63 inches (829 mm) with paper basket open Storage: 19.64 inches (499 mm)
Height	38.38 inches (975 mm)
Weight (without ink or optional equipment)	(includes maintenance boxes and roll spindles) SureColor P6570E/T3770E: Approximately 254 lb (115 kg) SureColor P6570D/P6570DE/T3770D/T3770DE: Approximately 260 lb (118 kg) SureColor T5770D: Approximately 302 lb (137 kg) SureColor T5770DM: Approximately 331 lb (150 kg) SureColor P8570D/T7770D: Approximately 342 lb (155 kg) SureColor P8570DL/T7770DL: Approximately 388 lb (165 kg) SureColor T7770DM: Approximately 366 lb (166 kg)

Parent topic: [Technical Specifications](#)

Electrical Specifications

Power supply rating	AC 100 to 240 V
Rated frequency range	50/60 Hz
Rated current	3.4 - 1.6 A

Power consumption
(approximate)

Printing:

SureColor P8570D/T7770D: 70 W

**SureColor P6570D/P6570DE/P6570E/P8570DL/
T3770D/T3770DE/T3770E/T7770DL:** 75 W

SureColor T5770D: 80 W

SureColor T5770DM/T7770DM: 90 W

Ready mode: 32 W

Sleep mode: 2.0 W

Power off mode: 0.3 W

Parent topic: [Technical Specifications](#)

Environmental Specifications

Temperature

Operating: 50 to 95 °F (10 to 35 °C)

Operating (recommended): 59 to 77 °F (15 to 25 °C)

Storage (before unpacking): -4 to 140 °F (-20 to 60 °C)

- 120 hours at 140 °F (60 °C)
- 1 month at 104 °F (40 °C)

Storage (after unpacking; ink charged): 14 to 104 °F (-10 to 40 °C)

- 1 month at 104 °F (40 °C)

Storage (after unpacking; ink discharged): -4 to 77 °F (-20 to 25 °C)

- 1 month at 77 °F (25 °C)

Note: Make sure you use the printer at an altitude of 6561 feet (2000 m) or less

Humidity

(non-condensing)

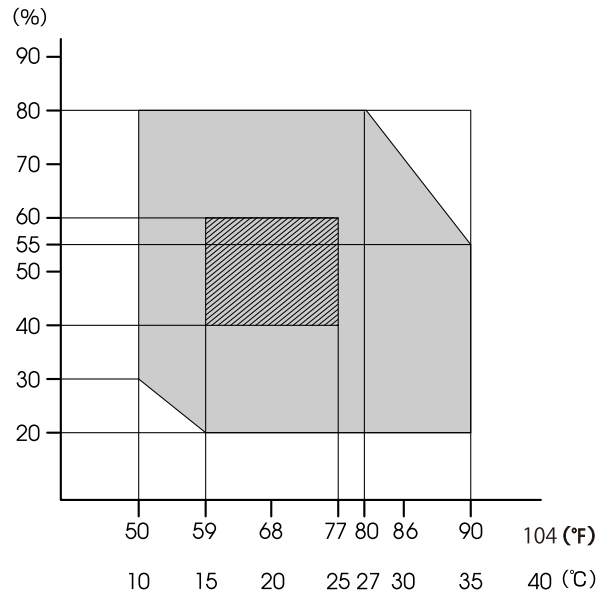
Operating: 20 to 80%

Operating (recommended): 40 to 60%

Storage: 5 to 85%

Temperature and humidity range

Operating: (diagonal lines represent recommended range)



Parent topic: [Technical Specifications](#)

Interface Specifications

USB Interface

High-Speed USB port compatible with USB 2.0 specification (for connection of non-encrypted USB drive for printing)

SuperSpeed USB port compatible with USB 3.2 Gen 1 Type B (**USB** port for computer)

Network Interface

100BASE-TX /1000BASE-T/IEEE802.11b/g/n/ac

File system

FAT, FAT32, exFAT

File format

JPEG, TIFF, some PDFs, HP-GL/2*, HP RTL*, Adobe PostScript 3, Adobe PDF 1.7

* Not all functions are supported; test for compatibility

Parent topic: [Technical Specifications](#)

Network Interface Specifications

Wi-Fi

Standards	IEEE802.11b/g/n; IEEE802.11n (2.4 GHz, HT20 only) IEEE802.11a/n/ac (5 GHz) [W52 (CH36 to CH48) and W53 (CH52 to CH64) are for indoor use only]
Securities	WEP (64/128bit) WPA-PSK (TKIP) WPA2-PSK (AES) (complies with WPA2 standards with support for WPA/WPA2 Personal) WPA3-SAE WPA2-Enterprise (AES) (EAP-TLS/PEAPTLS/PEAPMSCHAPv2/EAP-TTLS) WPA3-Enterprise
Frequency range	IEEE802.11b/g: 2.4 GHz IEEE802.11n: 2.4 GHz (HT20 only) IEEE 802.11a/n/ac: 5 GHz
Communication mode	Infrastructure Wi-Fi Direct (Simple AP) (not supported for IEEE802.11b)
Network Printing Protocols/Functions	Windows: <ul style="list-style-type: none">• EpsonNet Print (IPv4 only)• Standard TCP/IP (IPv4/IPv6)• WSD Printing (IPv4/IPv6)• IPP Printing (IPv4/IPv6) Mac: <ul style="list-style-type: none">• Bonjour (IPv4/IPv6)• IPP Printing (IPv4/IPv6)• AirPrint (iOS, Mac) (IPv4/IPv6)

Security Protocols	SSL/TLS (HTTPS Server/Client, IPPS) IEEE802.1X IPsec/IP Filtering SMTPS (STARTTLS, SSL/TLS) SNMPv3 SMB3.1.1
---------------------------	--

Ethernet

Standards	IEEE802.3u (100BASE-TX) IEEE802.3ab (1000BASE-T) IEEE802.3az (Energy Efficient Ethernet); connected device should comply with IEEE802.3az standards
------------------	---

Note: Use a category 5e or higher shielded twisted pair cable for all interfaces.

Warning: To prevent radio interference to the licensed service, this device is intended to be operated indoors and away from windows to provide maximum shielding. Equipment (or its transmit antenna) that is installed outdoors is subject to licensing.

Parent topic: [Technical Specifications](#)

Scanning Specifications (SureColor T5770DM/T7770DM)

Scanner type	Color Simplex Sheet-Fed Scanner
Sensor	RGB color filter method CIS
Effective pixels (main scanning direction)	21600 pixels (600 dpi)
Document size	Maximum: 36 × 1200 inches* (914.4 × 30480 mm) Minimum: 5.8 × 5.8 inches (148 × 148 mm)
Document thickness	0.002 to 0.03 inches (0.06 to 0.8 mm)

Scanning resolution	600 dpi (main scan) 600 dpi (sub scan)
Output resolution	200, 300, 400, 600 dpi
Image data	Color: 30-bit input (10 bits per pixel per color internal) 24-bit output (8 bits per pixel per color internal) Grayscale: 10-bit input 8-bit output Black and white: 10-bit input 1-bit output
Light source	Dual LED (white)
Load direction	Printable side loaded face up
Eject direction	Scanned side ejected face up
Loading capacity	1 page

* Maximum length depends on data format and settings

Parent topic: [Technical Specifications](#)

Safety and Approvals Specifications

United States	Safety: UL62368-1 EMC: FCC part 15 Subpart B class B
Canada	Safety: CAN/CSA C22.2 No. 62368-1 EMC: ICES-003 Class B

This equipment contains the following wireless module:

- Manufacturer: Epson
- Type: J26H005

This product conforms to Part 15 of FCC Rules and RSS-210 of the IC Rules. Epson cannot accept responsibility for any failure to satisfy the protection requirements resulting from a non-recommended modification of the product. Operation is subject to the following two conditions: (1) this device may not cause harmful interference, and (2) this device must accept any interference received, including interference that may cause undesired operation of the device.

To prevent radio interference to the licensed service, this device is intended to be operated indoors and away from windows to provide maximum shielding. Equipment (or its transmit antenna) that is installed outdoors is subject to licensing.

This equipment complies with FCC/IC radiation exposure limits set forth for an uncontrolled environment and meets the FCC radio frequency (RF) Exposure Guidelines in Supplement C to OET65 and RSS-102 of the IC radio frequency (RF) Exposure rules. This equipment should be installed and operated so that the radiator is kept at least 7.9 inches (20 cm) or more away from a person's body (excluding extremities: hands, wrists, feet and ankles).

Parent topic: [Technical Specifications](#)

Notices

Check these sections for important notices about your product.

Note: Epson offers a recycling program for end of life Epson products. Please go to [this site](#) (U.S.) or [this site](#) (Canada) for information on how to return your Epson products for proper disposal.

[Important Safety Instructions](#)

[FCC Compliance Statement](#)

[Binding Arbitration and Class Waiver](#)

[Trademarks](#)

[Copyright Notice](#)

Important Safety Instructions

Before using your Epson product, read and follow these safety instructions.

[General Product Safety Instructions](#)

[LCD Screen Safety Instructions](#)

[Wireless Connection Safety Instructions](#)

Parent topic: [Notices](#)

General Product Safety Instructions

- Be sure to follow all warnings and instructions marked on the product.
- Use only the type of power source indicated on the product's label.
- Use only the power cord that comes with the product. Use of another cord may cause fires or shock. Do not use the cord with any other equipment. Do not modify the cord.
- Place the product near a wall outlet where the plug can be easily unplugged.
- Do not route the power cord near heaters or other heat sources.
- Connect your product to a properly grounded power outlet. Avoid plugging the product into an outlet on the same circuit as a photo copier or air control system that regularly switches on and off, or on an outlet controlled by a wall switch or timer.
- Do not connect too many cables to the power outlet for the power cord; the temperature could rise and cause a fire.

- Make sure the plug is fully inserted into the outlet.
- Do not connect the power cable to a power strip or a multi-outlet extension cord; otherwise an electric shock or fire could occur. Supply power directly from a household power outlet (100 V AC).
- Do not let the power cord become damaged or frayed. Place it to avoid abrasions, cuts, fraying, crimping, and kinking. Do not place objects on top of it and do not allow it to be stepped on or run over. Be careful to keep the cord straight at each end.
- If you use an extension cord with the product, make sure the total ampere rating of the devices plugged into the extension cord does not exceed the cord's ampere rating. Also, make sure the total ampere rating of all devices plugged into the wall outlet does not exceed the wall outlet's ampere rating.
- If damage occurs to the plug, replace the cord set or consult a qualified electrician. If there are fuses in the plug, make sure you replace them with fuses of the correct size and rating.
- Always turn off the product using the power button, and wait until the power light stops flashing before unplugging the product or cutting off power to the electrical outlet.
- If you will not be using the product for a long period, unplug the power cord from the electrical outlet.
- When unplugging the plug, grip the plug itself; do not pull the power cord.
- Unplug the plug regularly and clean between the blades and around the base of the blades. If the plug is plugged in for an extended period of time, dust collects around the base of the blades and a short circuit or fire could occur.
- Do not use the plug if dust or any other foreign objects have adhered to the plug; otherwise an electric shock or fire could occur.
- Place the product on a flat, stable surface that extends beyond its base in all directions. It will not operate properly if it is tilted or at an angle.
- Do not tilt the product more than 10 degrees in any direction while moving it. Doing so may cause the product to fall and cause damage or personal injury.
- Do not attempt to move the product alone; four people are required to move the product
- When lifting the product, place your hands as shown in the *User's Guide*.
- Use correct posture when lifting the product.
- Make sure to remove all packing materials from the product and installation area.
- Except when moving the product, make sure the two casters at the front are secured and the feet at the back are touching the floor. If they are not secured, the product could move during printing and cause an injury.

- Do not attempt to move the product while the casters are secured or the feet are lowered. Doing so may cause the product to fall and cause damage or personal injury.
- When moving the product, make sure it is turned off, the power cables are unplugged from the outlets, and all connecting cables have been removed. Avoid steps and uneven surfaces.
- Avoid locations that are subject to rapid changes in heat or humidity, shocks or vibrations, or dust.
- Do not place or store the product outdoors.
- Do not place the product near excessive heat sources or in direct sunlight.
- Leave enough room around the product for sufficient ventilation. Do not block or cover openings in the cabinet or insert objects through the slots.
- Keep the product away from potential sources of electromagnetic interference, such as loudspeakers or the base units of cordless telephones.
- When connecting the product to a computer or other device with a cable, ensure the correct orientation of the connectors. Each connector has only one correct orientation. Inserting a connector in the wrong orientation may damage both devices connected by the cable.
- Do not put your hands inside the product and be careful not to trap your hands or fingers when opening or closing the printer covers or maintenance cover.
- Do not sit on the product or place heavy objects on top of it.
- Do not let your hands or hair get caught in the roll paper unit while it is operating.
- Do not move the print head by hand; this may damage the product.
- Do not insert or drop metallic or flammable items into the openings on the product.
- Do not spill liquid on the product or use the product with wet hands.
- Do not insert or unplug the plug with wet hands.
- Do not use aerosol products that contain flammable gases inside or around the product. Doing so may cause fire.
- Except as specifically explained in your documentation, do not attempt to service the product yourself.
- Unplug the product and refer servicing to qualified service personnel under the following conditions: if the power cord or plug is damaged; if liquid has entered the product; if the product has been dropped or the cabinet damaged; if the product does not operate normally or exhibits a distinct change in performance. Adjust only those controls that are covered by the operating instructions.
- Leave the ink installed. Removing the ink cartridges or ink packs can dehydrate the print head and may prevent the product from printing.
- Before storing the product, make sure the print head is positioned at the far right.

- When storing or transporting the product, do not tilt it, stand it on its side, or turn it upside down; otherwise ink may leak.
- Do not use the printer in locations with volatile substances such as alcohol or thinner, or near naked flames. An electric shock or fire could occur.
- Do not use the product if it is giving off smoke or if you notice any abnormal odors or noises. An electric shock or fire could occur. If any abnormalities occur, turn off the power and unplug the power cable immediately, then contact your dealer or Epson Support.
- Pay careful attention when replacing the cutter and store the cutter in a location out of the reach of children. The cutter's blade could cause an injury.

Note: The lithium batteries in this product contain Perchlorate Material - special handling may apply. [Click here](#) for details.

Parent topic: [Important Safety Instructions](#)

LCD Screen Safety Instructions

- Use only a dry, soft cloth to clean the LCD screen. Do not use liquid or chemical cleansers. Never use volatile chemicals such as thinner, benzene, or alcohol. Doing so could damage the surface of the control panel.
- If the panel is particularly dirty, dampen the cloth with water containing a small amount of neutral detergent, firmly wring the cloth dry before using it to wipe the panel, and then finish by wiping with a soft, dry cloth.
- If the LCD screen is damaged, contact Epson. If the liquid crystal solution gets on your hands, wash them thoroughly using large volumes of soapy water. If the liquid crystal solution gets into your eyes, flush them with clean water for at least 15 minutes. If discomfort or vision problems remain after a thorough flushing, see a doctor immediately. If liquid enters your mouth, see a doctor immediately.
- Do not press too hard on the LCD screen or subject it to heavy impacts.
- Use only your finger to operate the LCD screen; it may not respond when operated with wet fingers or gloved hands.
- Do not use a pointy or sharp object, such as a pen or your fingernail, to operate the LCD screen.
- Make sure to remove the protective film from the LCD screen before operating; otherwise it may not respond.
- If the LCD screen chips or cracks, do not touch or attempt to remove the broken pieces; contact Epson for support.

- Do not subject your product to sudden changes in temperature or humidity; this may cause condensation to develop inside the LCD screen and degrade its performance.
- The LCD screen may contain a few small bright or dark spots, and may display uneven brightness. These are normal and do not indicate that the screen is damaged in any way.

Parent topic: [Important Safety Instructions](#)

Wireless Connection Safety Instructions

Radio waves from this product may adversely affect the operation of medical equipment or automatically controlled devices, such as pacemakers, automatic doors or fire alarms. When using this product near such devices or inside a medical facility, follow the directions from authorized staff members at the facility, and follow all posted warnings and directions on the device to avoid causing an accident.

Parent topic: [Important Safety Instructions](#)

FCC Compliance Statement

For United States Users

This equipment has been tested and found to comply with the limits for a Class B digital device, pursuant to Part 15 of the FCC Rules. These limits are designed to provide reasonable protection against harmful interference in a residential installation. This equipment generates, uses, and can radiate radio frequency energy and, if not installed and used in accordance with the instructions, may cause harmful interference to radio or television reception. However, there is no guarantee that interference will not occur in a particular installation. If this equipment does cause interference to radio and television reception, which can be determined by turning the equipment off and on, the user is encouraged to try to correct the interference by one or more of the following measures:

- Reorient or relocate the receiving antenna.
- Increase the separation between the equipment and receiver.
- Connect the equipment into an outlet on a circuit different from that to which the receiver is connected.
- Consult the dealer or an experienced radio/TV technician for help.

WARNING

The connection of a non-shielded equipment interface cable to this equipment will invalidate the FCC Certification or Declaration of this device and may cause interference levels which exceed the limits established by the FCC for this equipment. It is the responsibility of the user to obtain and use a shielded equipment interface cable with this device. If this equipment has more than one interface connector, do not leave cables connected to unused interfaces. Changes or modifications not expressly approved by the manufacturer could void the user's authority to operate the equipment.

For Canadian Users

CAN ICES-3(B)/NMB-3(B)

Parent topic: [Notices](#)

Binding Arbitration and Class Waiver

1. DISPUTES, BINDING INDIVIDUAL ARBITRATION, AND WAIVER OF CLASS ACTIONS AND CLASS ARBITRATIONS

1.1 Disputes. The terms of this Section 1 shall apply to all Disputes between you and Epson. The term "Dispute" is meant to have the broadest meaning permissible under law and includes any dispute, claim, controversy or action between you and Epson arising out of or relating to this Agreement, Epson branded products (hardware and including any related software), or other transaction involving you and Epson, whether in contract, warranty, misrepresentation, fraud, tort, intentional tort, statute, regulation, ordinance, or any other legal or equitable basis. "DISPUTE" DOES NOT INCLUDE IP CLAIMS, or more specifically, a claim or cause of action for (a) trademark infringement or dilution, (b) patent infringement, (c) copyright infringement or misuse, or (d) trade secret misappropriation (an "IP Claim"). You and Epson also agree, notwithstanding Section 1.6, that a court, not an arbitrator, may decide if a claim or cause of action is for an IP Claim.

1.2 Binding Arbitration. You and Epson agree that all Disputes shall be resolved by binding arbitration according to this Agreement. **ARBITRATION MEANS THAT YOU WAIVE YOUR RIGHT TO A JUDGE OR JURY IN A COURT PROCEEDING AND YOUR GROUNDS FOR APPEAL ARE LIMITED.** Pursuant to this Agreement, binding arbitration shall be administered by JAMS, a nationally recognized arbitration authority, pursuant to its code of procedures then in effect for consumer related disputes, but excluding any rules that permit joinder or class actions in arbitration (for more detail on procedure, see Section 1.6 below). You and Epson understand and agree that (a) the Federal Arbitration Act (9 U.S.C. §1, et seq.) governs the interpretation and enforcement of this Section 1, (b) this Agreement memorializes a transaction in interstate commerce, and (c) this Section 1 shall survive termination of this Agreement.

1.3 Pre-Arbitration Steps and Notice. Before submitting a claim for arbitration, you and Epson agree to try, for sixty (60) days, to resolve any Dispute informally. If Epson and you do not reach an agreement to resolve the Dispute within the sixty (60) days, you or Epson may commence an arbitration. Notice to Epson must be addressed to: Epson America, Inc., ATTN: Legal Department, 3131 Katella Ave., Los Alamitos, CA 90720 (the "Epson Address"). The Dispute Notice to you will be sent to the most recent address Epson has in its records for you. For this reason, it is important to notify us if your address changes by emailing us at EAILEgal@ea.epson.com or writing us at the Epson Address above. Notice of the Dispute shall include the sender's name, address and contact information, the facts giving rise to the Dispute, and the relief requested (the "Dispute Notice"). Following receipt of the Dispute Notice, Epson and you agree to act in good faith to resolve the Dispute before commencing arbitration.

1.4 Small Claims Court. Notwithstanding the foregoing, you may bring an individual action in the small claims court of your state or municipality if the action is within that court's jurisdiction and is pending only in that court.

1.5 WAIVER OF CLASS ACTIONS AND CLASS ARBITRATIONS. YOU AND EPSON AGREE THAT EACH PARTY MAY BRING DISPUTES AGAINST THE OTHER PARTY ONLY IN AN INDIVIDUAL CAPACITY, AND NOT AS A PLAINTIFF OR CLASS MEMBER IN ANY CLASS OR REPRESENTATIVE PROCEEDING, INCLUDING WITHOUT LIMITATION FEDERAL OR STATE CLASS ACTIONS, OR CLASS ARBITRATIONS. CLASS ACTION LAWSUITS, CLASS-WIDE ARBITRATIONS, PRIVATE ATTORNEY-GENERAL ACTIONS, AND ANY OTHER PROCEEDING WHERE SOMEONE ACTS IN A REPRESENTATIVE CAPACITY ARE NOT ALLOWED. ACCORDINGLY, UNDER THE ARBITRATION PROCEDURES OUTLINED IN THIS SECTION, AN ARBITRATOR SHALL NOT COMBINE OR CONSOLIDATE MORE THAN ONE PARTY'S CLAIMS WITHOUT THE WRITTEN CONSENT OF ALL AFFECTED PARTIES TO AN ARBITRATION PROCEEDING.

1.6 Arbitration Procedure. If you or Epson commences arbitration, the arbitration shall be governed by the rules of JAMS that are in effect when the arbitration is filed, excluding any rules that permit arbitration on a class or representative basis (the "JAMS Rules"), available at <http://www.jamsadr.com> or by calling 1-800-352-5267, and under the rules set forth in this Agreement. All Disputes shall be resolved by a single neutral arbitrator, and both parties shall have a reasonable opportunity to participate in the selection of the arbitrator. The arbitrator is bound by the terms of this Agreement. The arbitrator, and not any federal, state or local court or agency, shall have exclusive authority to resolve all disputes arising out of or relating to the interpretation, applicability, enforceability or formation of this Agreement, including any claim that all or any part of this Agreement is void or voidable. Notwithstanding this broad delegation of authority to the arbitrator, a court may determine the limited question of whether a claim or cause of action is for an IP Claim, which is excluded from the definition of "Disputes" in Section 1.1 above. The arbitrator shall be empowered to grant whatever relief would be available in a court under law or in equity. The arbitrator may award you the same damages as a court could, and may award declaratory or injunctive relief only in favor of the individual party seeking relief and only to the extent necessary to provide relief warranted by that party's individual claim. In some instances, the costs of arbitration can exceed the costs of litigation and the right to discovery may be more limited in arbitration than in court. The arbitrator's award is binding and may be entered as a judgment in any court of competent jurisdiction.

You may choose to engage in arbitration hearings by telephone. Arbitration hearings not conducted by telephone shall take place in a location reasonably accessible from your primary residence, or in Orange County, California, at your option.

a) Initiation of Arbitration Proceeding. If either you or Epson decides to arbitrate a Dispute, both parties agree to the following procedure:

(i) Write a Demand for Arbitration. The demand must include a description of the Dispute and the amount of damages sought to be recovered. You can find a copy of a Demand for Arbitration at <http://www.jamsadr.com> ("Demand for Arbitration").

(ii) Send three copies of the Demand for Arbitration, plus the appropriate filing fee, to: JAMS, 500 North State College Blvd., Suite 600 Orange, CA 92868, U.S.A.

(iii) Send one copy of the Demand for Arbitration to the other party (same address as the Dispute Notice), or as otherwise agreed by the parties.

b) Hearing Format. During the arbitration, the amount of any settlement offer made shall not be disclosed to the arbitrator until after the arbitrator determines the amount, if any, to which you or Epson is entitled. The discovery or exchange of non-privileged information relevant to the Dispute may be allowed during the arbitration.

c) Arbitration Fees. Epson shall pay, or (if applicable) reimburse you for, all JAMS filings and arbitrator fees for any arbitration commenced (by you or Epson) pursuant to provisions of this Agreement.

d) Award in Your Favor. For Disputes in which you or Epson seeks \$75,000 or less in damages exclusive of attorney's fees and costs, if the arbitrator's decision results in an award to you in an amount greater than Epson's last written offer, if any, to settle the Dispute, Epson will: (i) pay you \$1,000 or the amount of the award, whichever is greater; (ii) pay you twice the amount of your reasonable attorney's fees, if any; and (iii) reimburse you for any expenses (including expert witness fees and costs) that your attorney reasonably accrues for investigating, preparing, and pursuing the Dispute in arbitration. Except as agreed upon by you and Epson in writing, the arbitrator shall determine the amount of fees, costs, and expenses to be paid by Epson pursuant to this Section 1.6d).

e) Attorney's Fees. Epson will not seek its attorney's fees and expenses for any arbitration commenced involving a Dispute under this Agreement. Your right to attorney's fees and expenses under Section 1.6d) above does not limit your rights to attorney's fees and expenses under applicable law; notwithstanding the foregoing, the arbitrator may not award duplicative awards of attorney's fees and expenses.

1.7 Opt-out. You may elect to opt-out (exclude yourself) from the final, binding, individual arbitration procedure and waiver of class and representative proceedings specified in this Agreement by sending a written letter to the Epson Address within thirty (30) days of your assent to this Agreement (including without limitation the purchase, download, installation of the Software or other applicable use of Epson Hardware, products and services) that specifies (i) your name, (ii) your mailing address, and (iii) your request to be excluded from the final, binding individual arbitration procedure and waiver of class and representative proceedings specified in this Section 1. In the event that you opt-out consistent with the procedure set forth above, all other terms shall continue to apply, including the requirement to provide notice prior to litigation.

1.8 Amendments to Section 1. Notwithstanding any provision in this Agreement to the contrary, you and Epson agree that if Epson makes any future amendments to the dispute resolution procedure and

class action waiver provisions (other than a change to Epson's address) in this Agreement, Epson will obtain your affirmative assent to the applicable amendment. If you do not affirmatively assent to the applicable amendment, you are agreeing that you will arbitrate any Dispute between the parties in accordance with the language of this Section 1 (or resolve disputes as provided for in Section 1.7, if you timely elected to opt-out when you first assented to this Agreement).

1.9 Severability. If any provision in this Section 1 is found to be unenforceable, that provision shall be severed with the remainder of this Agreement remaining in full force and effect. **The foregoing shall not apply to the prohibition against class or representative actions as provided in Section 1.5. This means that if Section 1.5 is found to be unenforceable, the entire Section 1 (but only Section 1) shall be null and void.**

Parent topic: [Notices](#)

Trademarks

EPSON®, PrecisionCore®, SureColor®, and UltraChrome® are registered trademarks, and the EPSON logo is a registered logomark of Seiko Epson Corporation.

Epson StoreSM is a service mark of Epson America, Inc.

Apple, AirPrint, AirPrint logo, Bonjour, ColorSync, iPhone, Mac, macOS, and OS X are trademarks of Apple Inc., registered in the U.S. and other countries. App Store is a service mark of Apple Inc., registered in the U.S. and other countries.

Google® is a registered trademark and Android™, Chromebook™, Gmail™, Google Chrome™, Google Drive™, Google Play™, and YouTube™ are trademarks of Google LLC.

Windows is a registered trademark of Microsoft Corporation in the United States and/or other countries.

Wi-Fi Direct® is a registered trademark of Wi-Fi Alliance®.

General Notice: Other product names used herein are for identification purposes only and may be trademarks of their respective owners. Epson disclaims any and all rights in those marks.

The EPSON logo is displayed in a bold, blue, sans-serif font. The letters are all uppercase and have a registered trademark symbol (®) to the upper right of the 'N'.

Parent topic: [Notices](#)

Copyright Notice

All rights reserved. No part of this publication may be reproduced, stored in a retrieval system, or transmitted in any form or by any means, electronic, mechanical, photocopying, recording, or otherwise, without the prior written permission of Seiko Epson Corporation. The information contained herein is

designed only for use with this Epson product. Epson is not responsible for any use of this information as applied to other products.

Neither Seiko Epson Corporation nor its affiliates shall be liable to the purchaser of this product or third parties for damages, losses, costs, or expenses incurred by purchaser or third parties as a result of: accident, misuse, or abuse of this product or unauthorized modifications, repairs, or alterations to this product, or (excluding the U.S.) failure to strictly comply with Seiko Epson Corporation's operating and maintenance instructions.

Seiko Epson Corporation shall not be liable for any damages or problems arising from the use of any options or any consumable products other than those designated as Original Epson Products or Epson Approved Products by Seiko Epson Corporation.

Seiko Epson Corporation shall not be held liable for any damage resulting from electromagnetic interference that occurs from the use of any interface cables other than those designated as Epson approved Products by Seiko Epson Corporation.

This information is subject to change without notice.

[A Note Concerning Responsible Use of Copyrighted Materials](#)
[Default Delay Times for Power Management for Epson Products](#)
[Copyright Attribution](#)

Parent topic: [Notices](#)

A Note Concerning Responsible Use of Copyrighted Materials

Epson encourages each user to be responsible and respectful of the copyright laws when using any Epson product. While some countries' laws permit limited copying or reuse of copyrighted material in certain circumstances, those circumstances may not be as broad as some people assume. Contact your legal adviser for any questions regarding copyright law.

Parent topic: [Copyright Notice](#)

Default Delay Times for Power Management for Epson Products

This product will enter sleep mode after a period of nonuse. This is to ensure that the product meets Energy Star standards of energy efficiency. More energy savings can be achieved by setting the time to sleep to a shorter interval.

Parent topic: [Copyright Notice](#)

Copyright Attribution

© 2023 Epson America, Inc.

5/23

CPD-61762R4

Parent topic: [Copyright Notice](#)

[Click here for more information!](#)



IPSi

**INTEGRATED
PRODUCTIVITY
SYSTEMS**

(844) 477-4911 | www.ipsiscan.com