

EPSON

CW-C8000 Series

User's Guide

M00156101 EN

Contents

Contents

Before use

Manuals for This Product.	4
Downloading the Latest Version.	4
Viewing the Online Video Manual.	5
Symbols Used in This Guide.	5
About Models of this Product.	6
Gloss Black Ink/Matte Black Ink.	6
Product and Driver Versions.	7
How to Check the Product Version.	7
How to Check the Printer Driver Version.	7
Screens in This Manual.	7
Safety Precautions.	8
Cautions on Installation.	8
Cautions on Handling.	8
Cautions on Power Supply.	10
Cautions on Ink Packs.	10
Cautions on the Maintenance Box.	13
Caution Label.	14
Supported Paper.	15
Paper Form/Shape/Size.	15
Paper Type.	17
Paper That Cannot Be Used.	18
Part Names and Functions.	19
Front.	19
Left Side.	20
Right Side (Connectors).	21
Inside Front.	22
Inside Paper Path.	23
Operation Panel.	24
Operating Instructions Screen.	26

Basic Operation

Turning On or Off.	27
Turning the Power On.	27
Turning the Power Off.	27
Checking the Printer Status.	28
Checking the Printer Status on the Printer Screen.	28
Checking the Printer Status by Printing Nozzle Check Patterns.	30
Checking the Printer Status by Printing Status Sheet.	30
Checking Network Connection and Settings.	31
Replacing the Ink Packs.	32
Checking Amount of Ink Remaining.	32

How to Replace the Ink Packs.	32
Replacing the Maintenance Box.	36
Checking the Amount of Empty Space in the Maintenance Box.	36
How to Replace the Maintenance Box.	36
Printer Driver Settings.	39
Media Definition.	40
Media Name.	40
Width.	40
Length.	40
Gap Between Labels.	40
Media Form.	41
Left and Right Gap (Die-cut label/Full-page label/Continuous paper).	41
Left Gap (Tag).	41
Right Gap (Tag).	41
Label Edge to Hole Length (Tag).	41
Media Coating Type.	41
Color Correction.	42
Spot Color Setting.	42
Settings For Paper Handling After Print.	42
Notification.	42
Pause.	43
Media Detection.	43
Loading and Replacing Paper.	44
Loading Roll Paper.	45
Loading Fanfold Paper.	50
How to Remove Paper.	54

Maintenance

Cleaning the Exterior.	58
Cleaning the Auto Cutter.	59
Cleaning the Edge Guides.	60
Cleaning the Paper Pressure Rollers.	62
Cleaning the Gap Detector (Light Emitting Unit).	64
Cleaning the Platen.	66
Cleaning the Print Head.	67
Printing Nozzle Check Patterns.	67
Running Print Head Cleaning.	68

Troubleshooting

A Message is Displayed on the Operation Panel.	70
Problems with Print Quality.	75
Vertical (Paper Width Direction) White Banding.	75

Contents

Horizontal (Printing Direction) White Banding. 75
 White or Black Banding. 75
 Printed Colors Are Wrong. 75
 Blurred printing, Characters look doubled,
 Misalignment of print position. 76
 Paper is Smearred or Smudged with Ink. 76
 Paper is Fed and Ejected, and an Error Occurs. . 76
 Paper is Loaded, but Not Fed into the Printer. . . 76
 Printing from a Computer is Impossible or
 Becomes Suddenly Impossible. 77
 Checking Whether the Printer Driver Is
 Installed. 77
 The Printer does Not Turn On. 77
 Print Job is Canceled on PC but “Printing”
 Message on Printer Does Not Disappear. 77
 Roll Paper is Jammed. 78
 Fanfold Paper is Jammed. 83

Specifications

Product Specifications. 88
 Electrical Specifications. 88
 Overall Dimensions. 89
 Environmental Specifications. 91
 Paper Specifications. 92
 Ink Packs. 93
 Maintenance Box. 94
 Rewinder (TU-RC8000). 94





Appendix

Consumables and Options. 95
 Ink Packs. 95
 Maintenance Box. 96
 Rewinder. 97
 Restriction of Use. 102
 Notes. 103
 Trademarks. 103

Before use

This chapter describes information you should know before using the product.

Manuals for This Product

<p>Paper manual</p> 	<p>Start Here Guides you through basic setup steps from unpacking to loading paper.</p>
<p>Manual viewable with PC</p> 	<p>User's Guide (This Manual) Describes details about the functions and operating procedures of the product, maintenance information, and troubleshooting. Please visit the URL below. https://epson.sn</p>
<p>Manual viewable with PC</p> 	<p>CW-C8000 Series Technical Reference Guide Provides information necessary for installing the product, performing daily tasks, and developing a system using the product. Download this document from the following URL. https://epson.sn</p>
<p>Manual viewable with PC</p> 	<p>Online Video Manual The videos explain the printer setup procedure in an easy-to-understand manner. Click on the URL below to view the videos. https://support.epson.net/p_doc/95e/ The contents of videos are subject to change without notice.</p>

Downloading the Latest Version

The latest versions of the printer driver, utilities, and manuals can be downloaded from the following URL.

<https://epson.sn>

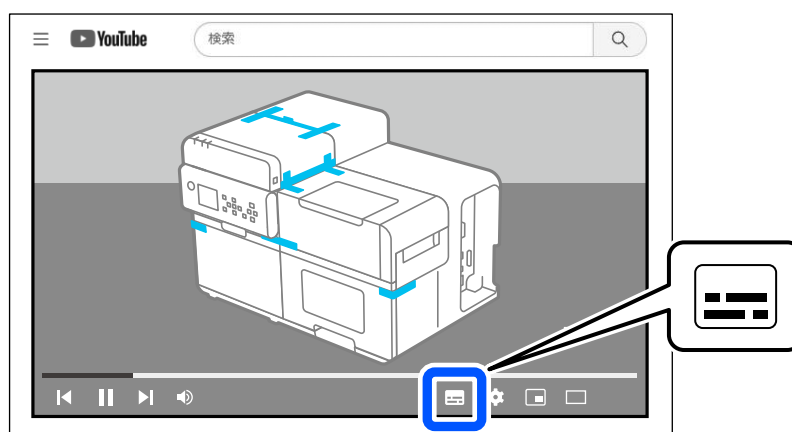
Before use

Viewing the Online Video Manual

The video manuals are available on YouTube. Click on the URL below to view the videos.

https://support.epson.net/p_doc/95e/

If subtitles are not displayed during video playback, click on the subtitle icon shown below.





Symbols Used in This Guide


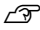
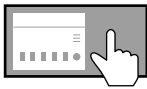

The following symbols are used in this guide to indicate important information.

Symbols for Safety

The symbols shown below are used in this manual in order to ensure safety and proper use of this product and to prevent danger to you and other persons, and property damage. Be sure that you completely understand their meanings before reading this manual.

 Warning	Handling the product improperly by ignoring this symbol can lead to death or serious injury.
 Caution	Handling the product improperly by ignoring this symbol can lead to injury and property damage.

Symbols for General Information

 Important	Indicates information with which you must comply when using the product. Mishandling due to ignoring this information may cause the product to fail or malfunction.
Note	Indicates supplementary explanations and information you should know.
	Indicates a reference page containing related information.
	Indicates that the operation procedure can be viewed on the operation panel. From the home screen, go to ? (Help) – How To... to view the operating instructions.
	Indicates that the video manual is available. Scan the QR code to view the video.

Before use

About Models of this Product

Gloss Black Ink/Matte Black Ink

You can select which type of black ink to use from gloss black (BK) and matte black (MK). The printer prompts you to select it when you turn on the printer for the first time.

Supported paper types vary by the black ink type. See [“Paper Specifications” on page 92](#).



Important

You cannot change the black ink type once you select the black ink type and let the printer charge the ink.

Before use

Product and Driver Versions

Use a combination of the latest versions of the product firmware, printer driver, and utility. [↗ “Downloading the Latest Version” on page 4](#)

How to Check the Product Version

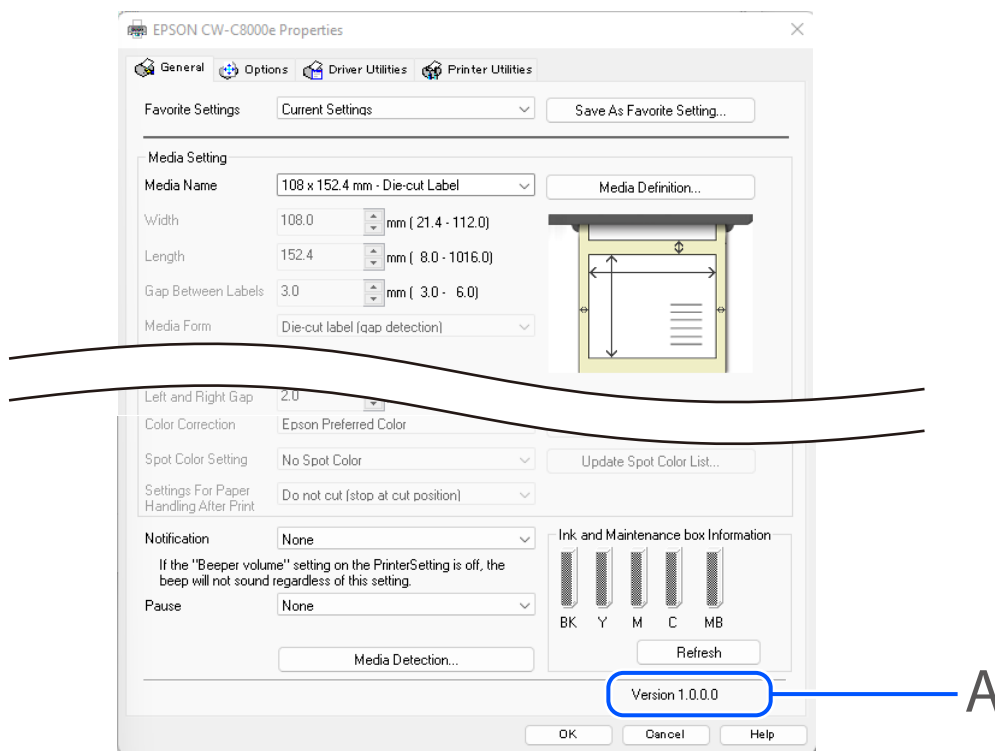
You can check the version of your product firmware by printing the status sheet. Find the version on the printed status sheet. [↗ “Checking the Printer Status by Printing Status Sheet” on page 30](#)

You can also check the version on the operation panel.

Menu – Printer Status/Print – Firmware Version

How to Check the Printer Driver Version

You can check the version in the printer driver screen.



A: Printer driver version

Screens in This Manual

The screens in this manual and the screens actually displayed in Windows may differ depending on the product used and operating system. Unless otherwise specified, the screens in this manual are those when using Windows 11.

Before use

Safety Precautions

To ensure safe use of the product, be sure to read this manual and the other instruction manuals supplied with the product before use. Store this manual in a safe place so that you can resolve any unclear points regarding the product at any time.

Cautions on Installation

 **Warning**

Do not block the air vents of the product.  [“Right Side \(Connectors\)” on page 21](#)

Blocking the air vents may cause heat to build up inside, which could result in a fire.

Do not cover the product with a cloth or install it in a poorly-ventilated location. Furthermore, ensure there is the installation space specified in the manual.

 **Caution**

- Do not install/store the product in an unstable location or in a location subject to vibration from other devices. Equipment may fall or collapse, causing breakage and possible injury.
- Do not install the product in a location exposed to oily smoke or dust, or in a humid location. Otherwise electric shock or fire may occur.
- When lifting the product, perform the work with the correct posture. Lifting the product with an inappropriate posture may cause injury.
- This product is heavy and should not be carried alone. When unpacking or moving the product, two or more persons should carry it. See [“Product Specifications” on page 88](#) for the weight of the product.
- When lifting the product, hold the product by the parts indicated in this manual. Lifting the product by holding other parts of it may cause the product to fall or pinch your fingers when lowering it, which may result in injury.

Cautions on Handling

 **Warning**

- Do not use the product in a location with volatile substances such as alcohol or paint thinner present, or near fire. Otherwise electric shock or fire may occur.
- Shut down the product immediately if it produces smoke, a strange odor, or unusual noise. Otherwise electric shock or fire may occur. If an abnormality occurs, immediately turn off the power and remove the plug from the outlet, and then contact qualified service personnel for advice.
- Shut down the product immediately if a foreign object or water or other liquid gets inside the product. Otherwise electric shock or fire may occur. Immediately turn off the power and remove the plug from the outlet, and then contact qualified service personnel for advice.

Before use

- Do not disassemble the areas other than those mentioned in this manual.
- Never repair the product yourself as doing so is dangerous.
- Do not use the product in a location where inflammable gas, explosive gas, etc. is present in the atmosphere. Furthermore, do not use aerosol sprayers containing flammable gas inside or around the product. Doing so may cause fire.
- Do not connect cables in ways other than those mentioned in this manual. Doing so may cause fire. It may also damage the other connected devices.
- Do not touch the areas inside the product other than those mentioned in this manual. Doing so may cause electric shock or burns.
- Do not insert metal or flammable materials, or allow them to fall into the product. Otherwise electric shock or fire may occur.
- If the screen of the printer is damaged, handle the liquid crystal inside it very carefully. Should any of the following situations arise, take emergency measures.
 - When any part gets onto your skin, wipe off the deposit, and wash the area properly with soap and water.
 - When any part gets into your eyes, flush them with clean water for at least 15 minutes, and thereafter, consult with a doctor.
 - When a part gets into your mouth, immediately consult with a doctor.

 **Caution**

- Do not allow anyone to stand or place heavy objects on top of the product. In particular, be careful in the case of a household with children. Equipment may fall or collapse, causing breakage and possible injury.
- Install the cables and optional products in the proper direction according to the proper procedures. Otherwise fire or injury is possible. Follow the instructions in this manual to install them properly.
- Before moving the product, shut down and unplug the product, and make sure that all the cables are disconnected. Failure to do so may damage a cable, causing electric shock or fire.
- Do not subject the product to vibration or shock while the power is on. Doing so may cause printing malfunction.
- Do not store or transport the product while it is tilted, standing, or upside down. Doing so may cause the ink to leak.
- Do not carry the product with its internal parts pulled out. There is a risk of injury due to falling of those parts.
- When pulling out the internal parts of the product, do so on a flat surface. There is a risk of injury due to falling of those parts.

Before use

Cautions on Power Supply **Warning**

- Do not use the product with any power supply or voltage other than the ones specified.
- Do not allow dust or other foreign material to adhere to the power plug. Otherwise electric shock or fire may occur.
- Insert the power plug securely all the way into the outlet. Otherwise electric shock or fire may occur.
- Do not use a power cord other than that supplied with the product. In addition, do not use the supplied power cord with another device. Otherwise electric shock or fire may occur.
- Do not use a damaged power cord. Otherwise electric shock or fire may occur. Contact qualified service personnel for advice if the power cord is damaged. Furthermore, observe the following points so as not to damage the power cord.
 - Do not modify the power cord.
 - Do not place heavy objects on the power cord.
 - Do not forcibly bend, twist, or pull the power cord.
 - Do not lay the power cord near a heating appliance.
- Do not insert or remove the power plug with a wet hand. Doing so may cause electric shock.
- Do not connect the power cord to a power strip which provides electricity to multiple devices. Otherwise electric shock or fire may occur.
- Regularly disconnect the power plug from the outlet and clean the base of the prongs and between the prongs. Leaving the power plug connected to the outlet for a long period of time may cause dust to accumulate on the base of the power plug prongs, resulting in a short and fire.
- Hold the plug and do not pull the cord when disconnecting the power plug from the outlet. Pulling the cord may damage the cord or deform the plug, causing electric shock or fire.
- Do not unplug or plug in this product with the power on. Otherwise electric shock or fire may occur.

 **Caution**

To ensure safety, unplug the product before leaving it unused for an extended period.

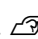

Cautions on Ink Packs **Caution**

- If ink gets on your skin or in your eyes or mouth, take the following measures.
 - When ink gets onto your skin, immediately wash the area with soap and water.
 - When ink gets into your eyes, immediately flush them with water. Leaving the ink as is may result in bloodshot eyes or mild inflammation. If something is wrong, immediately consult with a doctor.

Before use

- ❑ When ink gets into your mouth, immediately consult with a doctor.
- ❑ Do not disassemble an ink pack. Doing so may cause ink to get into eyes or onto skin.
- ❑ Do not shake an ink pack too hard. The ink may leak from the ink pack if you swing or shake it too hard.
- ❑ Keep ink packs out of the reach of children.
- ❑ To maintain good print quality, it is recommended that ink packs be used up within one year of installation in the printer.
- ❑ Do not touch the IC chip on an ink pack.
- ❑ Store the ink packs at room temperature, away from direct sunlight.
- ❑ To maintain the quality of the print head, the product is designed to stop operating before it runs out of ink, leaving some ink in the used ink pack. Running costs vary depending on the environment in which the printer is located and how the printer is used.
- ❑ Recycled parts may be used in ink packs, but this does not affect quality.
- ❑ The ink packs that can be used differ depending on the model number of the product. Use ink packs compatible with the model number of your printer.

 ["Ink Packs" on page 93](#)

- ❑ Shake new ink packs well before installing them.  ["How to Replace the Ink Packs" on page 32](#)
- ❑ The product uses ink packs equipped with IC chips to manage the amount of ink used and other information so ink packs are usable even if they are removed and reinstalled. However, if an ink pack with not much ink remaining is removed and reinstalled, it may not be usable. Some ink is consumed each time packs are installed because the product automatically checks their reliability.
- ❑ When replacing the black ink pack, make sure to replace with a pack of the same type of black ink. The printer does not work if you install a pack of different type of black ink.
- ❑ Install ink packs of all colors. Printing is not possible if even only one ink pack is missing.
- ❑ To keep the print head in good condition, ink of all colors is consumed not only for printing but also for maintenance operations such as ink pack replacement and head cleaning.
- ❑ Do not turn off the power or open the paper cover, top cover, or ink cover while the printer is charging ink (while the  (power) LED is flashing). If the covers are opened, ink will be re-charged when they are closed, and extra ink will be consumed. Also, you may not be able to print properly.
- ❑ Even for monochrome printing, all the ink colors are used in an operation designed to maintain the printing and print head quality.
- ❑ Do not disassemble or modify the ink pack. Doing so may cause printing malfunction.
- ❑ There may be some ink around the ink supply port on a removed ink pack. Take care so that it does not stain the desk or other surface.
- ❑ Do not open an ink pack package until you are ready to install the ink pack in the product.

Before use

- ❑ When the ink cover is opened, make sure that no foreign objects enter the inside of the printer or the ink pack tray. If foreign objects do enter, printing may not be possible. When removing foreign objects, remove them so as not to damage the surrounding parts.
- ❑ When ink is charged the first time (right after purchase), ink is consumed for filling the print head nozzles (ink discharge holes) to get ready for printing. Therefore, the number of the sheets that can be printed may be fewer than for ink packs installed later.
- ❑ The print head is automatically capped to prevent ink from drying out. Do not unplug the power plug or turn off the circuit breaker while the product is operating. Doing so may result in the print head not being capped.
- ❑ Printing on water-repellent paper such as art paper, which is slow-drying, may cause print stains. Also, if you print on glossy paper, fingerprints may get on the paper or ink may adhere to your fingers when you touch the print surface. Select and use paper that will not cause print stains.
- ❑ If the ink pack has been stored in a cold place for a long time, leave it at room temperature for at least 4 hours before use.
- ❑ Do not remove the ink packs from the product when storing or transporting the product.

Before use


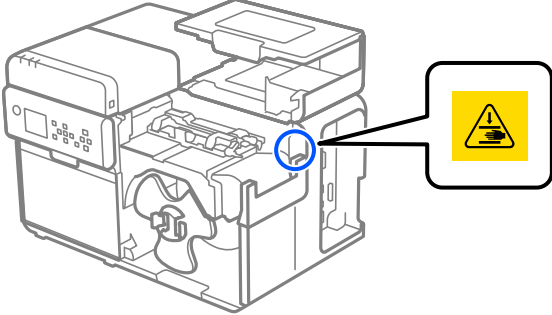
Cautions on the Maintenance Box

- Store in a place out of reach of children. Do not drink any adhered ink.
- Do not disassemble or modify the maintenance box. Doing so may cause ink to get into eyes or onto skin.
- Do not touch the IC chip on the maintenance box.
- If a maintenance box that can still be used has been removed and left detached for a long period of time, do not reuse it.
- Do not peel off the film from the top surface of the maintenance box.
- If ink gets on your skin or in your eyes or mouth, take the following measures.
 - When ink gets onto your skin, immediately wash the area with soap and water.
 - When ink gets into your eyes, immediately flush them with water. Leaving the ink as is may result in bloodshot eyes or mild inflammation. If something is wrong, immediately consult with a doctor.
 - When ink gets into your mouth, immediately consult with a doctor.
- Do not shake a used maintenance box too hard. The ink may leak from the maintenance box if you swing or shake it too hard.
- Avoid storing the maintenance box under high temperatures or in a frozen state.
- Keep it away from direct sunlight.

Before use

Caution Label

The labels affixed to the product indicate the following cautions.

 <p>Keep hands clear</p>	<p>Be careful not to trap your hands or fingers when opening or closing the paper cover. Failure to observe this precaution could result in injury.</p> 
---	--







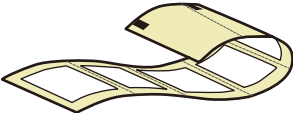

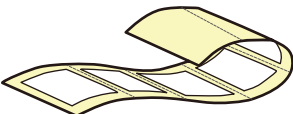



Before use

Supported Paper


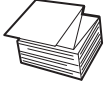

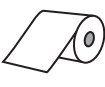

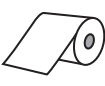

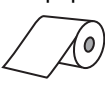
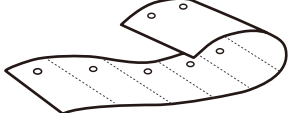

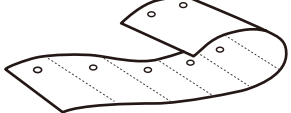
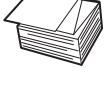
This section describes about shape, form, size and type of paper that can be used by this printer, and paper that cannot be used.

For more details, see the CW-C8000 Series Technical Reference Guide.

Paper Form/Shape/Size

Forms of paper	Paper shapes	Paper width (mm) {inch}	Backing paper width (mm) {inch}	Label width (mm) {inch}	Gap between labels (mm) {inch}
Die-cut label (Gap*1) 	Roll paper 	---	25.4 to 112 {1.00 to 4.41}	21.4 to 108 {0.84 to 4.25}	3.0 to 6.0 {0.12 to 0.24}
Die-cut label with black marks*2 	Roll paper 	---	25.4 to 112 {1.00 to 4.41}	21.4 to 108 {0.84 to 4.25}	3.0 to 6.0 {0.12 to 0.24}
Die-cut label with black marks*2 	Fanfold paper 	---	50 to 112 {2.00 to 4.41}	46 to 108 {1.81 to 4.25}	3.0 to 6.0 {0.12 to 0.24}
Die-cut label with black marks*2 and perforation 	Roll paper 	---	25.4 to 112 {1.00 to 4.41}	21.4 to 108 {0.84 to 4.25}	3.0 to 6.0 {0.12 to 0.24}
Die-cut label without black marks, with perforation 	Roll paper 	---	25.4 to 112 {1.00 to 4.41}	21.4 to 108 {0.84 to 4.25}	3.0 to 6.0 {0.12 to 0.24}
Continuous plain paper with black marks*2 	Roll paper 	25.4 to 112 {1.00 to 4.41}	---	---	---

Before use

Forms of paper	Paper shapes	Paper width (mm) {inch}	Backing paper width (mm) {inch}	Label width (mm) {inch}	Gap between labels (mm) {inch}
Continuous plain paper with black marks*2 	Fanfold paper 	50 to 112 {2.00 to 4.41}	---	---	---
Continuous plain paper without black marks 	Roll paper 	25.4 to 112 {1.00 to 4.41}	---	---	---
Full-page label with black marks*2 	Roll paper 	---	25.4 to 112 {1.00 to 4.41}	21.4 to 108 {0.84 to 4.25}	---
Full-page label without black marks 	Roll paper 	---	25.4 to 112 {1.00 to 4.41}	21.4 to 108 {0.84 to 4.25}	---
Tag*3 (with hole, oblong hole, cutout) 	Roll paper 	25.4 to 112 {1.00 to 4.41}	---	---	---
Tag*3 (with hole, oblong hole, cutout) 	Fanfold paper 	50 to 112 {2.00 to 4.41}	---	---	---

*1: The print position is detected based on the gaps between labels.

*2: The print position is detected based on the black marks printed on the back of the paper.

*3: The print position is detected based on the holes, oblong holes, and cutouts in the paper.

Note	<ul style="list-style-type: none"> <input type="checkbox"/> When labels less than 25.4 mm {1.00 in.} in length are cut automatically, the printed label may adhere to the cutter blade and become difficult to remove. <input type="checkbox"/> Depending on shape, thickness, and stiffness of die-cut labels, the labels may peel off their backing paper inside the printer. When you want to use die-cut labels that do not meet the paper specifications, contact qualified service personnel for advice.
-------------	--

Before use

Paper Type

Supported paper types vary depending on the type of black ink as shown below.

Paper Type	When using Matte Ink	When using Gloss Ink
Plain paper	✓	-
Matte paper	✓	✓
Texture Paper	✓	-
Synthetic	✓	✓
Glossy paper	-	✓
Glossy Film	-	✓
High Glossy Paper	-	✓

Before use

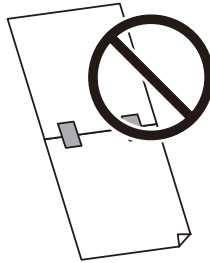
Paper That Cannot Be Used

Do not load paper like the following. Such paper will cause paper jams and print stains.

- ❑ Thermal paper

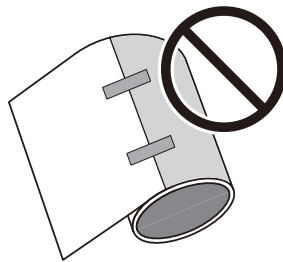


- ❑ Paper joined together by tape, etc.

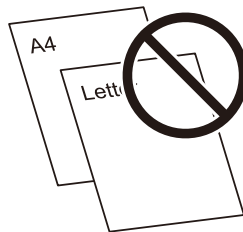


- ❑ Paper joined to the core by tape, etc.

Note	If the end of the roll paper is attached to the core with double-sided tape, it can be used, but it may not be possible to print on multiple labels near the end of the roll. For more details, see the CW-C8000 Series Technical Reference Guide.
-------------	--



- ❑ Paper of A size, B size, etc.

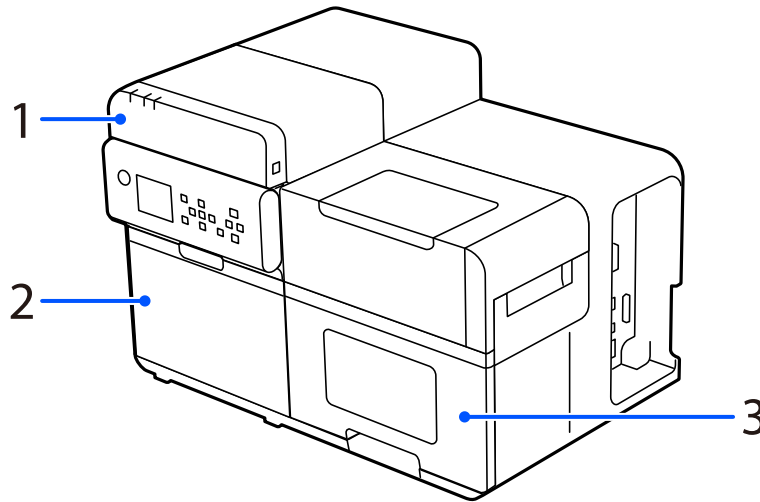


Before use

Part Names and Functions

This section describes the main operation parts.

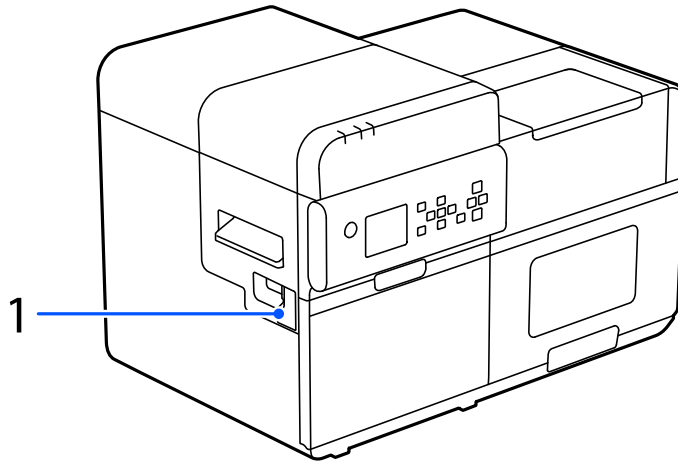
Front



No.	Name	Description
1	Top cover	Open this cover to remove jammed paper or for cleaning.
2	Ink cover	Open this cover to install or replace the ink packs or maintenance box. ↗ "Replacing the Ink Packs" on page 32 ↗ "Replacing the Maintenance Box" on page 36
3	Paper cover	Open this cover to load or replace paper.

Before use

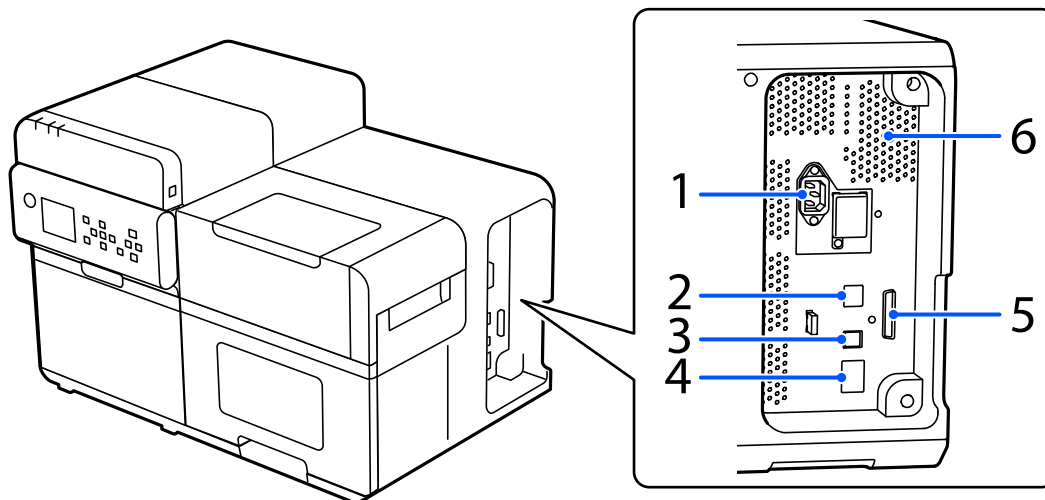
Left Side



No.	Name	Description
1	Rewinder connection cover	Open this cover to connect the optional rewinder. 📄 "Rewinder" on page 97

Before use

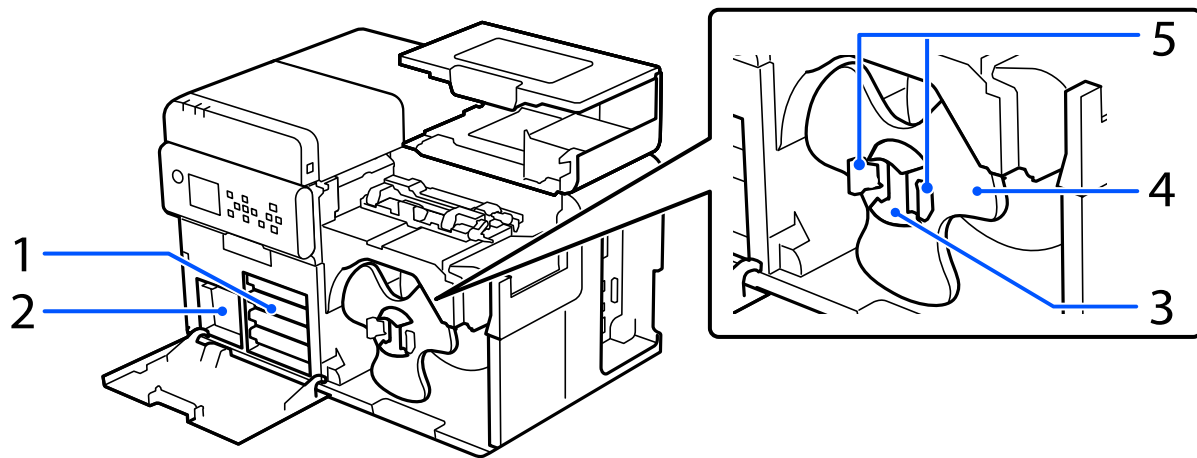
Right Side (Connectors)



No.	Name	Description
1	Power connector	Connect the power cable.
2	USB A port (for optional wireless LAN unit only)	Connect the optional wireless LAN unit.
3	USB B port	Connect a USB Type B cable.
4	LAN port	Connect a LAN cable.
5	EXT.I/F	This port is used only by specific users to control external devices.
6	Air vent	Exhausts heat generated in the printer to prevent the temperature inside the printer from rising. Provide a clearance of 10 cm {3.94"} or more from the air vent to ensure ventilation when installing the printer.

Before use

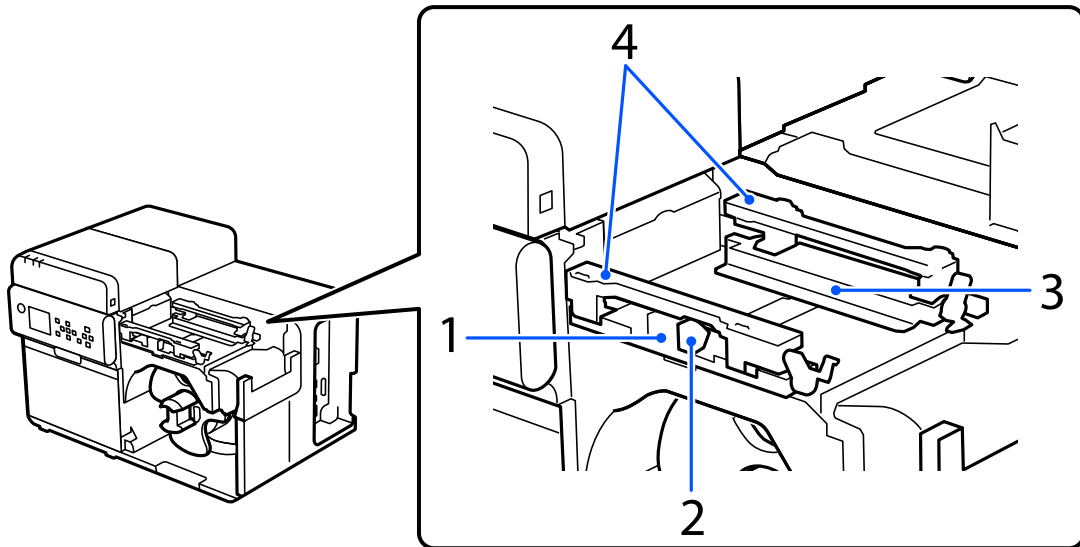
Inside Front



No.	Name	Description
1	Ink pack tray	Load four (4-color) ink packs into each of the four trays. When a message appears indicating that the ink pack(s) needs to be replaced, pull out the corresponding tray to replace the ink pack(s). ☞ "Replacing the Ink Packs" on page 32
2	Maintenance box	The maintenance box is a container that stores waste ink discharged during head cleaning. When a message appears indicating that the maintenance box needs to be replaced, pull out the maintenance box and replace it with a new one. ☞ "Replacing the Maintenance Box" on page 36
3	Spindle	Load roll paper on this spindle.
4	Flange	Attach this to the spindle to fix the roll paper loaded on the spindle.
5	Lever	Squeeze the levers to unlock the flange to install/remove it to/from the spindle.

Before use

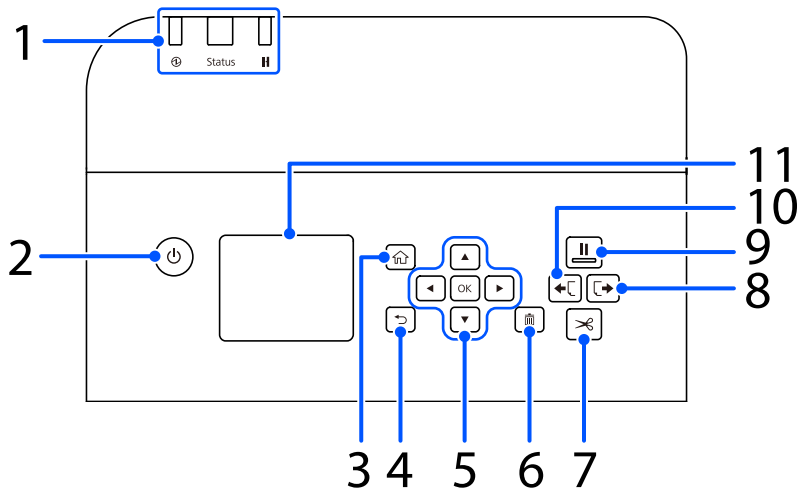
Inside Paper Path








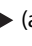
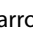









No.	Name	Description
1	Movable edge guide	A guide for feeding paper straight. While pressing the blue lever, slide this guide against the paper, until the white guide plate aligns with the paper edge.
2	Lever (blue)	Press this lever to slide the movable edge guide.
3	Edge guide	A guide for feeding paper straight. Slide paper against this guide so that the paper is fed along the guide.
4	Paper hold	Hold the paper down so that the paper is fed flat.



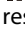
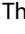
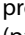
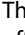

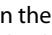

Before use

Operation Panel



No.	Name	Description
1	LED	<p>The status of the printer can be checked from the flashing of the LEDs. For more details, see the CW-C8000 Series Technical Reference Guide.</p> <ul style="list-style-type: none"> <input type="checkbox"/>  (Power) LED Stays on while the printer is on. Flashes during printing or charging ink. <input type="checkbox"/> Status LED Stays on or flashes while an error or problem is occurring. <input type="checkbox"/>  (Pause) LED Stays on or flashes while the printer is paused.
2	 (power) button	Turns the printer on or off.
3	 (home) button	Displays the home screen.
4	 (back) button	Use to return to the previous screen.
5	 (arrows) buttons and OK button	Use the     buttons to select a menu item, and then press the OK button to activate the selected menu or setting.
6	 (cancel) button	<p>Cancels current print job.</p> <p>Press the  (cancel) button while the printer is paused, and select Next label format or All label formats on the Cancel Selection screen to cancel printing.</p>
7	 (cut) button	Use to cut paper.
8	 (back-feed) button	Use this button when replacing paper. Press the  (cut) button to separate the printed paper, then press and hold the  (back-feed) button to feed the paper backward to pull the paper out of the printer.

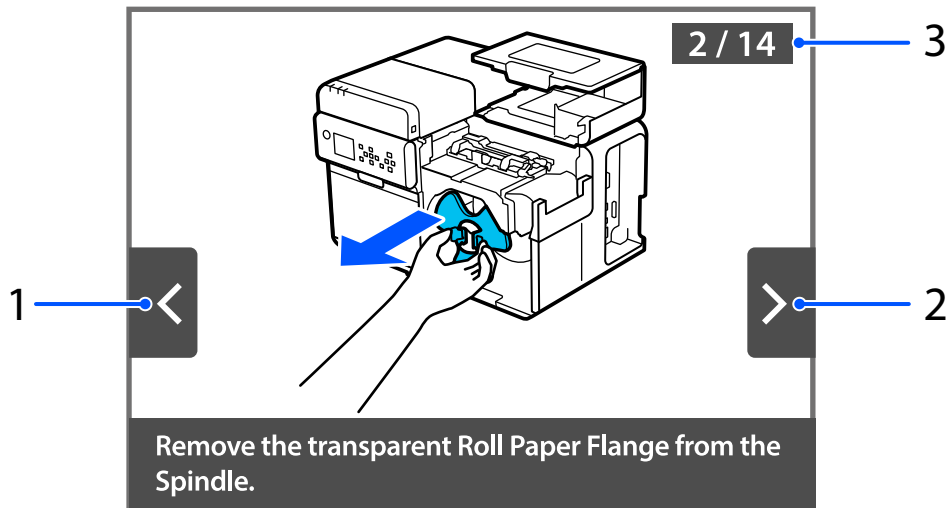
Before use

No.	Name	Description
9	 (pause) button	<ul style="list-style-type: none"> <li data-bbox="644 297 1414 427"> <input type="checkbox"/> When this button is pressed during printing: Printing is stopped after printing of the current page is finished, and the  (pause) LED comes on. If the button is pressed again, printing resumes and the  (pause) LED goes off. <li data-bbox="644 443 1378 573"> <input type="checkbox"/> When this button is pressed while the printer is in the standby state: The printer pauses and the  (pause) LED comes on. If the button is pressed again, the printer returns to the standby state and the  (pause) LED goes off. <li data-bbox="644 589 1391 685"> <input type="checkbox"/> When this button is pressed while printing is paused due to an error: The printer is released from pause mode and the  (pause) LED goes off.
10	 (feed) button	<p data-bbox="644 714 1374 775">When the  feed button is pressed, the paper is fed by the following length. The length varies depending on the form of paper.</p> <ul style="list-style-type: none"> <li data-bbox="644 790 1094 848"> <input type="checkbox"/> Paper with black marks, Paper with gaps 1 page <li data-bbox="644 864 839 922"> <input type="checkbox"/> Others 25.4 mm {1 in.} <p data-bbox="644 938 1417 999">If the  (feed) button is held down after the above length of paper is fed, the paper is fed continuously as long as the button is held down.</p>
11	Screen	Status of the printer, menus, and error messages are displayed.

Before use

Operating Instructions Screen

You can view the operating instructions on the printer's screen. Use the ▲◀▼▶ buttons and the OK button on the operation panel to switch between the steps. Some operating instructions automatically switch between multiple images.





No.	Name	Description
1	Back button	Press the ◀ button on the operation panel to display the previous step.
2	Forward button	Press the ▶ button on the operation panel to display the next step.
3	Step number	The total number of steps is displayed. The number of the currently displayed step is shown in blue.

Basic Operation



This chapter describes the basic operating procedures of the printer.

Turning On or Off

Turning the Power On

Hold down the  (power) button until the  (power) LED lights up.

Turning the Power Off

Hold down the  (power) button until a power-off confirmation message is displayed. Then select **Yes** on the confirmation screen. The  (power) LED goes out and the printer is turned off.

Checking the Printer Status

The status of the printer can be checked from the lighting and flashing of the LEDs, and from the printer screen.

You can also check the printer settings by printing a status sheet and check the nozzle status by printing a nozzle check pattern.

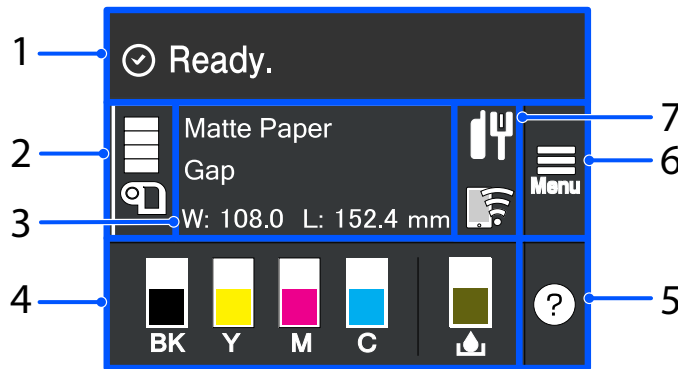
[☞ “Checking the Printer Status by Printing Status Sheet” on page 30](#)

[☞ “Printing Nozzle Check Patterns” on page 67](#)

Checking the Printer Status on the Printer Screen


You can check the printer status on the printer screen.

Select a target part of the screen using the ▲◀▶▶ buttons and OK button on the operation panel.



No.	Name	Description
1	Message area	Displays printer status and error messages.
2	Media source/Remaining amount of roll paper	Paper source (roll or fanfold) is indicated. Depending on which paper, roll or fanfold, is used, the paper icon changes. When Media Source is set to External Feed , "EX" appears below the paper icon. When Media Source is set to Internal Roll , you can check the remaining amount of roll paper.
3	Paper information	You can check the paper settings. Select this area to directly access the Menu - Media Settings menus. Note: You can also make the paper settings using the printer driver. If the settings differ between the operation panel and the printer driver, the settings of the printer driver are applied. ☞ “Printer Driver Settings” on page 39

Basic Operation

No.	Name	Description
4	Consumables status	<p>Shows the approximate ink level in each color ink pack and the approximate amount of free space in the maintenance box. The shorter the bar, the lower the remaining quantity and free space.</p> <ul style="list-style-type: none"> <input type="checkbox"/> [!] mark Indicates that it is almost time to replace the ink pack(s) or the maintenance box. <input type="checkbox"/> [X] mark Indicates that the ink pack(s) or the maintenance box needs to be replaced. <input type="checkbox"/> When matte black ink is used, black ink is indicated as "MK".
5	Help menu	<p>You can see how to deal with problems and basic printer operation procedures.</p> <p> "Operating Instructions Screen" on page 26</p>
6	Settings menu	<p>Displays menus for maintenance, printer operation settings, network settings, etc. It is indicated as Menu in this manual.</p>
7	Network icon	<p>By connecting the optional wireless LAN unit (OT-WL06), the printer can communicate via wireless LAN. If these network icons do not appear on the home screen, make sure the wireless LAN unit is connected and restart the printer.</p>

Basic Operation

Checking Network Connection and Settings

You can check the network connection status and settings by printing a network connection check report.

For more details, see the CW-C8000 Series Technical Reference Guide.

Note	When printing the network connection check report, it is recommended to use paper is greater than 101.6 mm {4.00 in.} wide and 152.4 mm {6.00 in.} long. For more details, see the CW-C8000 Series Technical Reference Guide.
-------------	---

Basic Operation

Replacing the Ink Packs

This section describes how to replace the ink packs.



Caution

Carefully read the cautions on handling before installing the ink packs.

 "Cautions on Ink Packs" on page 10

Checking Amount of Ink Remaining

You can check approximate remaining amount of ink on the operation panel or a computer.

Note

Even when the printer is low on ink, you can print until you are prompted to replace the ink pack. Replace the ink pack as necessary.

How to Replace the Ink Packs



Viewing How to Replace the Ink Packs on the Operation Panel
? (Help) – How To... – Ink Pack(s) Replacement

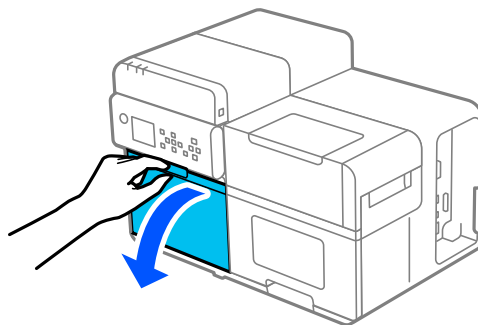
The procedure below is for replacing the BK ink pack. Follow the same procedure for replacing the other color ink packs.

! Important

- When replacing the black ink pack, make sure to replace with a pack of the same type of black ink. The printer does not work if you install a pack of different type of black ink.
- Shake the new ink pack well as instructed before installing it.

1

Open the ink cover.



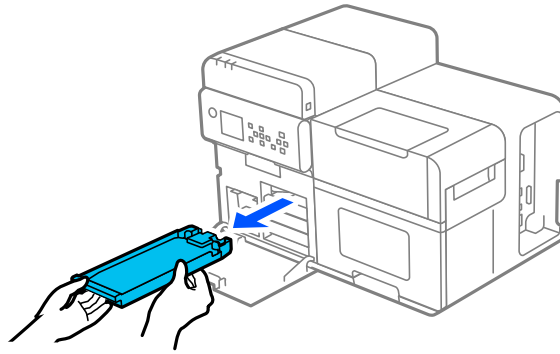
2

Remove the ink pack tray with both hands.

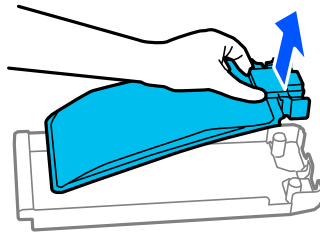
! Important

Do not forcibly squeeze the ink packs, as the ink could spill.

Basic Operation


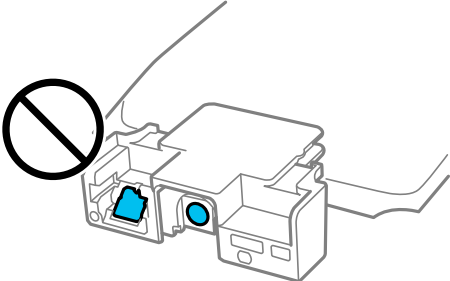


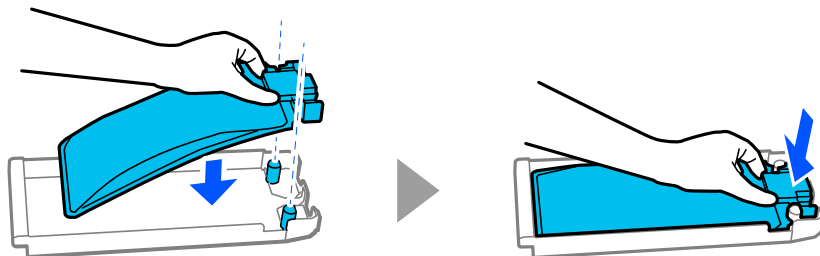
3 Lift the ink pack by the handle and remove it from the tray.



4 Load a new ink pack into the tray.

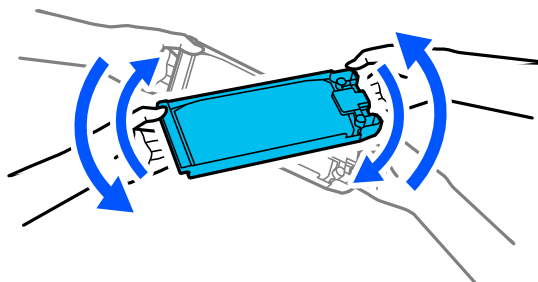
 [“Cautions on Ink Packs” on page 10](#)

 Caution	<p>Do not touch the areas shown in the figure.</p> 
--	---



Basic Operation

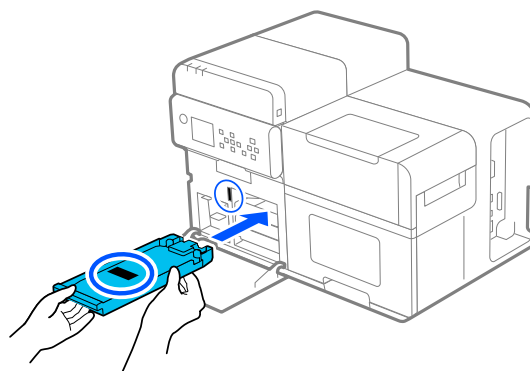
- 5** Hold the ink pack tray with both hands and shake it up and down at an angle of about 60 degrees about 10 times in 10 seconds.



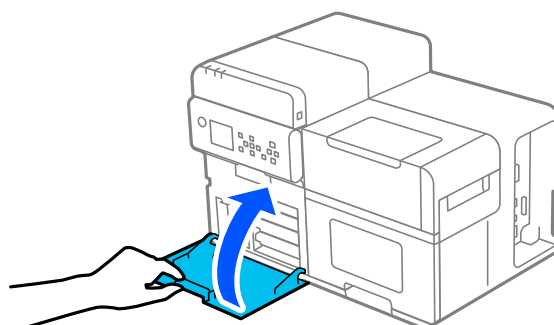
- 6** Make sure the color of the ink pack is the same as the color of the label next to the tray insertion slot, and push the ink pack tray all the way in.

! *Important*

Do not forcibly squeeze the ink packs, as the ink could spill.

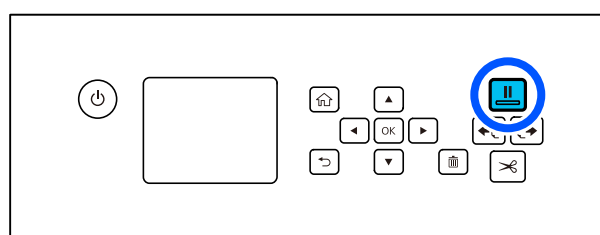


- 7** Close the ink cover.



- 8** Press the **||** (pause) button.

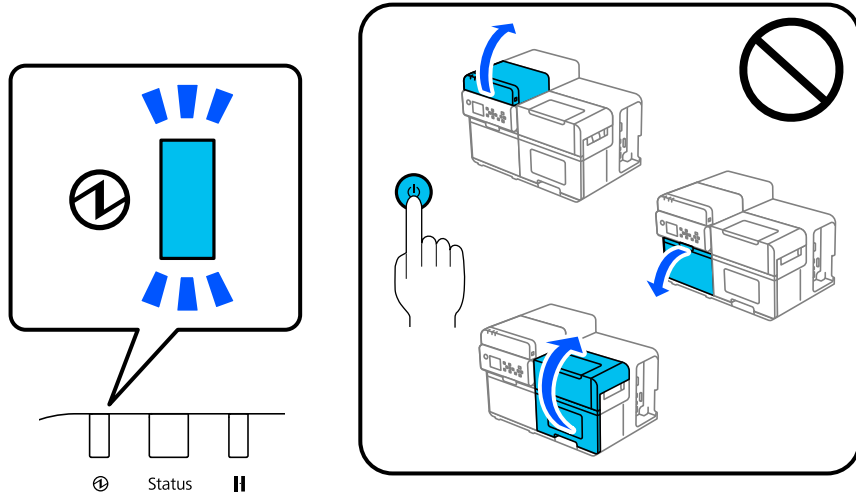
Check that the printer is ready for printing by checking the home screen.



Basic Operation

Never open any cover or turn off the printer while the printer is charging ink (while the ① (power) LED is flashing). If these operations are performed during ink charging, ink will be severely consumed and the ink pack may need to be replaced before the charging is complete.



 *Caution*



When ink charging is complete, the ① (power) LED will change from flashing to lit.

Replacing the Maintenance Box

This section describes how to replace the maintenance box.

 Caution	Carefully read the cautions on handling before setting the maintenance box.  "Cautions on the Maintenance Box" on page 13
--	---

Checking the Amount of Empty Space in the Maintenance Box

You can check approximate amount of empty space in the maintenance box on the operation panel or a computer.

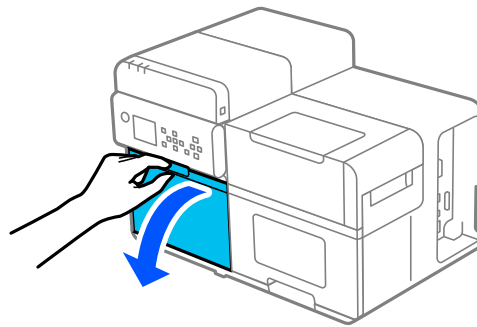
Note	Even if the maintenance box is running low on space, you can still print until you are prompted to replace it. Replace the maintenance box with a new one as necessary.
-------------	---

How to Replace the Maintenance Box

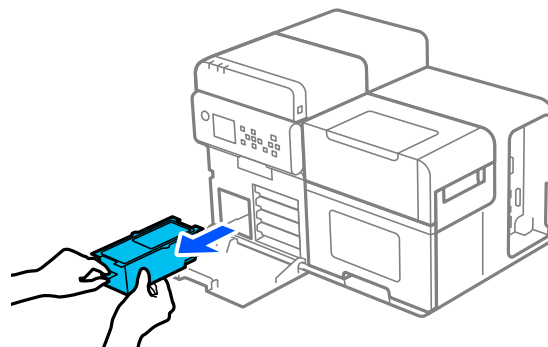


Viewing How to Replace the Maintenance Box on the Operation Panel
 ? (Help) – How To... – Replace Maintenance Box

- 1** Open the ink cover.



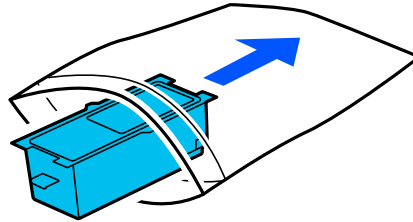
- 2** Pull out the maintenance box.



Basic Operation


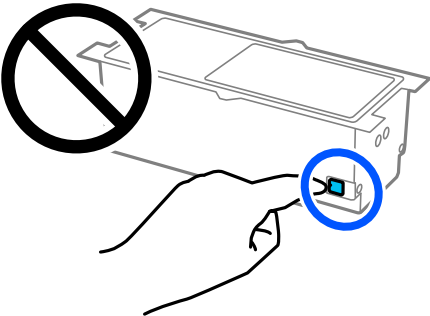
- 3** Seal the used maintenance box in a clear bag and dispose of it.

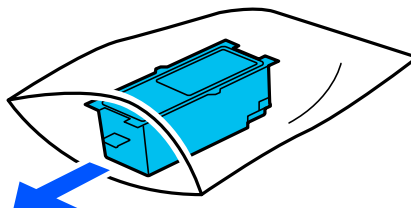
 [“Disposal of Maintenance Box” on page 96](#)



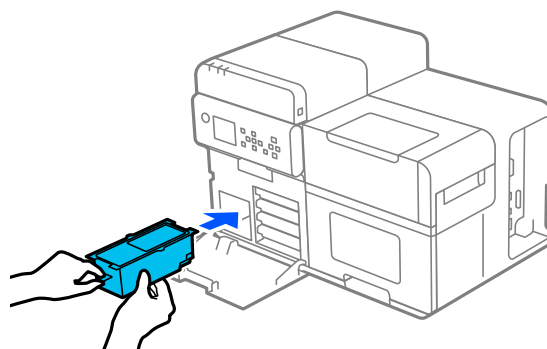
- 4** Take out a new maintenance box from the bag.

 [“Cautions on the Maintenance Box” on page 13](#)

 Caution	<p>Do not touch the areas shown in the figure.</p> 
---	--

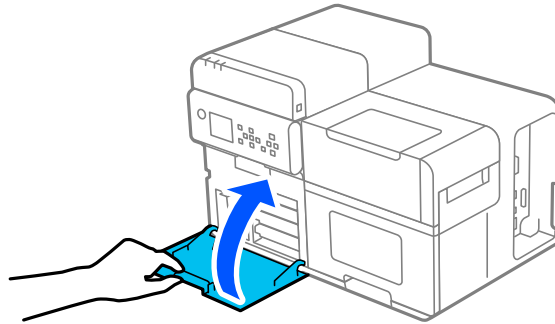


- 5** Press the new maintenance box firmly into the printer with the label side up.



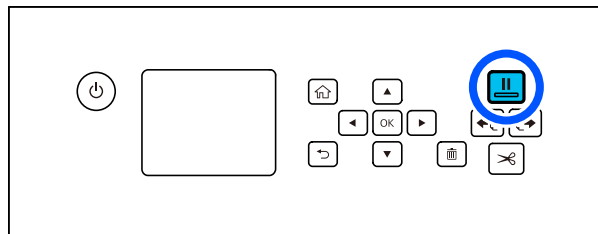
Basic Operation

- 6 Close the ink cover.



- 7 Press the  (pause) button.

Check that the printer is ready for printing by checking the home screen.



Printer Driver Settings



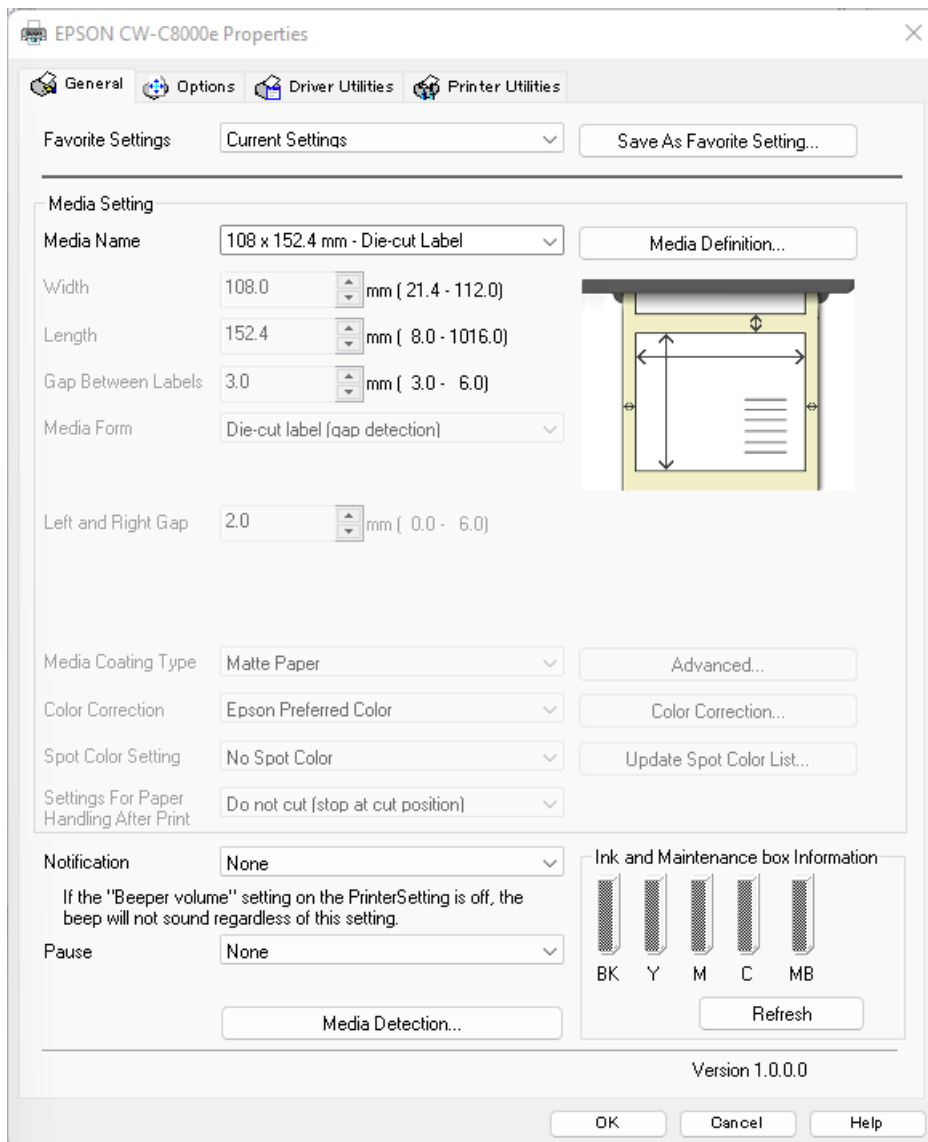
Watching the Video on How to Set Up the Printer Driver

https://support.epson.net/p_doc/95/

“How to Set Up the Printer Driver (CW-C8000 Series)”

Set the basic items required for printing such as the size and form of media.

The printer driver is equipped with a help function. Right-click an item and then click Help to display an explanation on the item.



Note	If the settings on the printer (configured using the operation panel, CW-C8000 Series PrinterSettings, or WebConfig) differ from the printer driver settings, printing is performed by applying the printer driver settings.
-------------	--

Basic Operation

Media Definition

The size, form, type, and other settings of frequently used paper can be registered as a media definition. The set media definition can be selected from the Media Name pull-down menu. This is convenient because you will not need to set the paper settings of the driver when printing from an application if you register a media definition in advance.

If you wish to set the paper size and other settings every time without registering a media definition, select Custom from the Media Name pull-down menu on the General tab. The various settings on the General tab will become available so that you can set the paper size and other settings.

Media Name

- Media Size Reduction
- 108 x 152.4 mm - Die-cut Label* (Initial setting)
- Custom

*: This setting is suitable for printing the roll paper included with the product.

Width

21.4 to 112.0 mm {0.84 to 4.41 in.}

Initial setting: 108.0 mm {4.25 in.} (Die-cut label/Full-page label/Continuous paper), 76.2 mm {3.00 in.} (Tag)

Length

When [Media Form] is set to [Full-page Label (no detection)] or [Continuous paper (no detection)]

Can be specified from 11.0 to 1016.0 mm {0.43 to 40.00 in.}

Initial setting: 152.4 mm {6.00 in.}

When [Media Form] is set to [Tag (hole detection)]

Can be specified from 8.0 to 300.0 mm {0.31 to 11.81 in.}

Initial setting: 50.8 mm {2.00 in.}

When [Media Form] is set to other than above

Can be specified from 8.0 to 1016.0 mm {0.31 to 40.00 in.}

Initial setting: 152.4 mm {6.00 in.}

Gap Between Labels

3.0 to 6.0 mm {0.12 to 0.24 in.}

Basic Operation

Initial setting: 3.0 mm {0.12 in.}

Media Form

- Die-cut label (gap detection) (Initial setting)
- Die-cut label (black mark detection)
- Full-page Label (black mark detection)
- Full-page Label (no detection)
- Continuous paper (black mark detection)
- Continuous paper (no detection)
- Tag (hole detection)

Left and Right Gap (Die-cut label/Full-page label/Continuous paper)

0.0 to 6.0 mm {0.00 to 0.24 in.}

Initial setting: 2.0 mm {0.08 in.}

Left Gap (Tag)

0.0 to 30.0 mm {0.00 to 1.18 in.}

Initial setting: 2.0 mm {0.08 in.}

Right Gap (Tag)

0.0 to 30.0 mm {0.00 to 1.18 in.}

Initial setting: 2.0 mm {0.08 in.}

Label Edge to Hole Length (Tag)

0.0 to 306.0 mm {0.00 to 12.05 in.}

Initial setting: 28.4 mm {1.12 in.}

Media Coating Type

- Plain Paper
- Matte Paper (Initial setting)

Basic Operation

- Synthetic
- Texture Paper
- Glossy Paper
- Glossy Film
- High Glossy Paper

Note

The paper types that can be used depend on which type of black ink, gloss ink or matte ink, is used. For details, refer to ["Paper Specifications" on page 92](#).

Color Correction

- Epson Preferred Color (Initial setting)
- Epson Standard Color
- Epson Vivid Color
- ICM
- None

Spot Color Setting

No Spot Color (Initial setting)

Settings For Paper Handling After Print

- Cut (after printing last page)
- Cut (at specified page)
- Cut (after last page of collate page)
- Do not cut (stop at cut position) (Initial setting)
- Do not cut (stop at specified position)

Notification

- None (Initial setting)
- Beep at Cut
- Beep at Job End

Basic Operation

Note	Regardless of the printer driver setting described above, the buzzer will not sound if the buzzer setting of the printer is disabled.
-------------	---

Pause

- None (Initial setting)
- Pause at Cut
- Pause at Job End
- Pause at Collate End

Media Detection...

The initial setting of **Media Source** and **Media Detection** will change depending on the settings of the printer.

Media Source

- Internal (Roll)
- External Feed (Fanfold)
- External Feed (Roll)


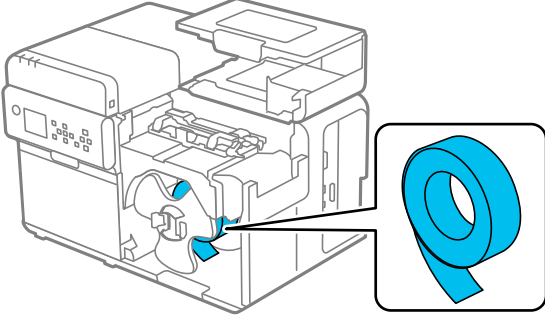

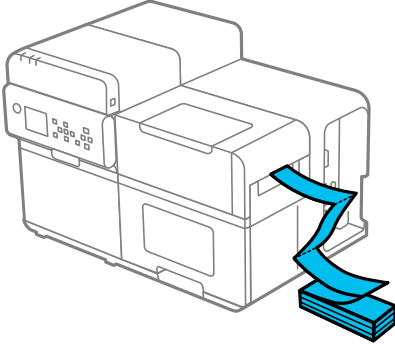
Media Detection




- Gap detection
- Black mark detection
- Tag hole detection
- No detection

Basic Operation

Loading and Replacing Paper

This section describes how to load and replace paper. The procedure for replacing paper varies depending on whether the paper is fed from inside or outside the printer.

Feeding paper from Inside (Internal Roll)	Feeding paper from Outside (Rear Feed)
<p>Paper is fed from inside the printer. Set roll paper into the printer.</p> <p> "Loading Roll Paper" on page 45</p> 	<p>Paper is fed from outside the printer. Place fanfold paper on the right side of the printer.</p> <p> "Loading Fanfold Paper" on page 50</p> 

<p>Note</p>	<ul style="list-style-type: none"> <input type="checkbox"/> To feed roll paper from outside the printer, prepare an external paper feeder by yourself. For more details, contact qualified service personnel for advice. <input type="checkbox"/> If you want to wind up printed roll paper, please prepare the optional rewinder (TU-RC8000). For instructions on how to use the rewinder, see the section below. <ul style="list-style-type: none">  "Rewinder" on page 97 <input type="checkbox"/> When replacing paper with a different shape, form, or type of paper, change the paper settings either from the operation panel or on the printer driver before loading the paper. <ul style="list-style-type: none">  "Checking the Printer Status on the Printer Screen" on page 28  "Printer Driver Settings" on page 39
--------------------	---

Loading Roll Paper



Watching the Video on How to Load Paper

https://support.epson.net/p_doc/95e/

“Loading Roll Paper/Fanfold Paper in the Printer (CW-C8000 Series)”




Viewing How to Load Paper on the Operation Panel

? (Help) – How To... – Load Media - Internal



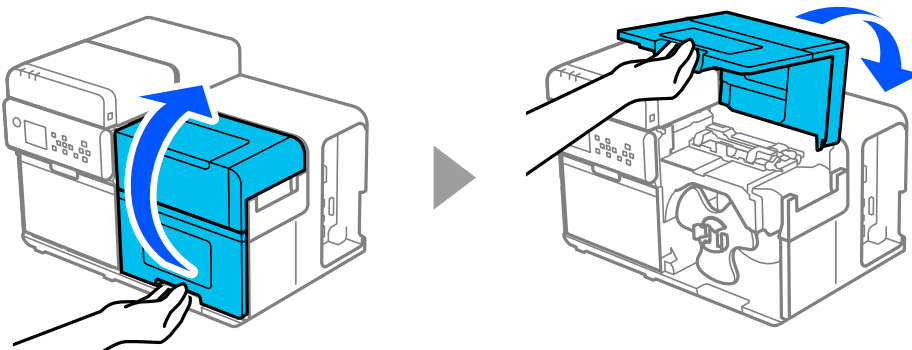
Caution

After turning on the printer, wait until the home screen is displayed, and then open the paper cover. If you open the cover before the home screen is displayed, the printer may fail to load the paper correctly.

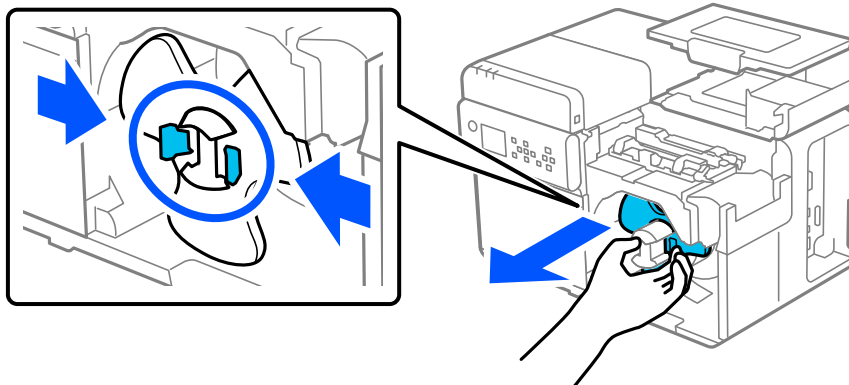
- 1 Turn the printer on.
 “Turning the Power On” on page 27

- 2 Wait until the home screen appears.

- 3 Open the paper cover.

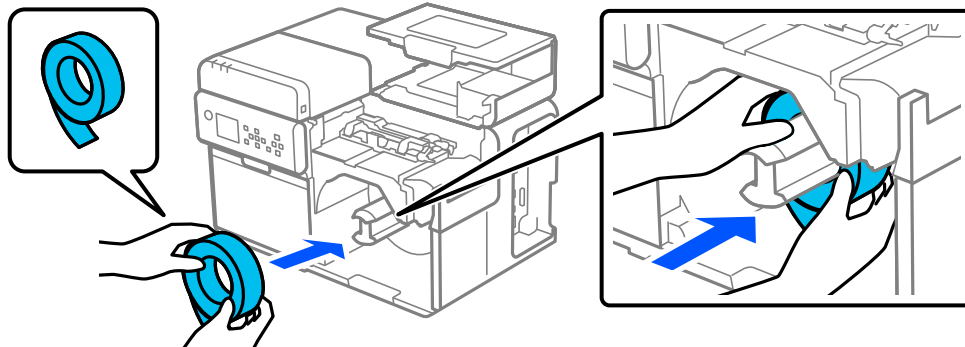


- 4 Remove the roll paper flange from the spindle while squeezing the levers of the flange.

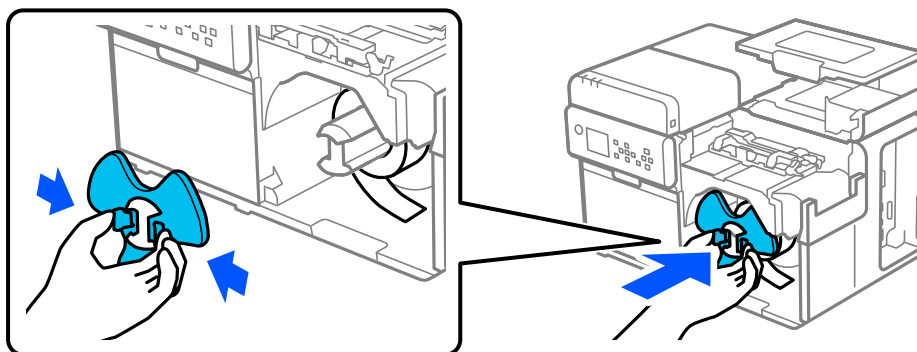


Basic Operation

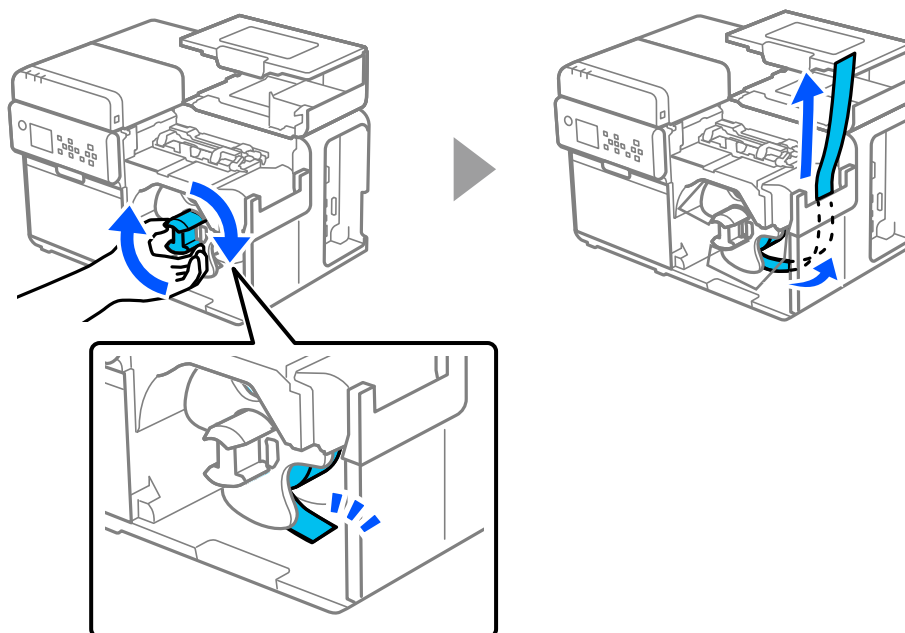
- 5** Attach a paper roll to the spindle and push the roll as far as it goes by pressing its core.



- 6** Attach the roll paper flange to the spindle while squeezing the levers of the flange. Move the flange until it touches the roll paper so that there is no gap in between.

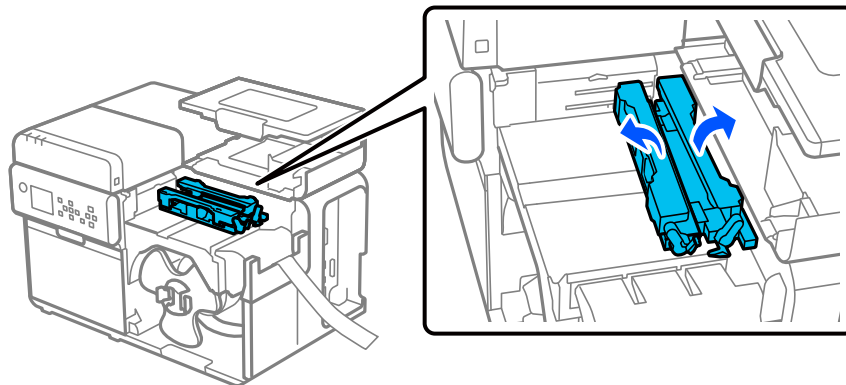


- 7** Turn the flange clockwise until the leading edge of the paper touches the bottom, and pull out the paper by approximately 300 mm {11.81 in.}.

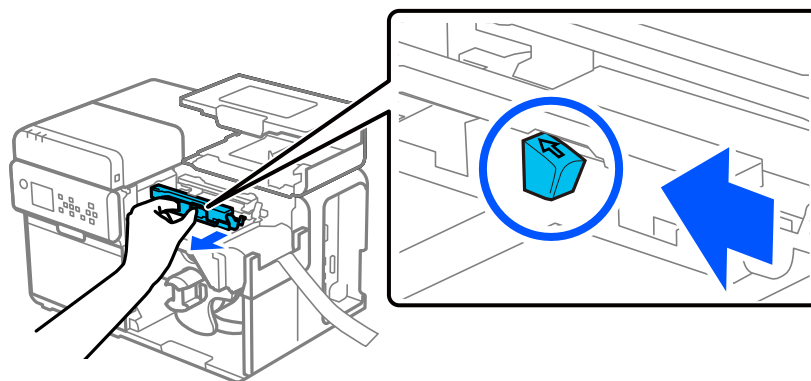



Basic Operation

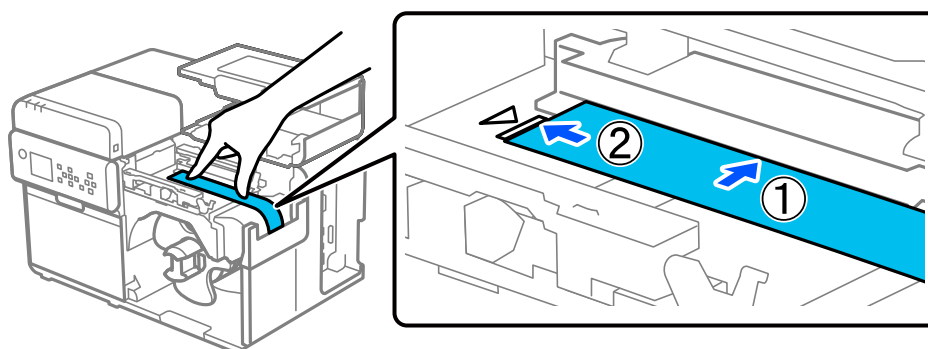
- 8 Raise the paper holds.



- 9 While pressing the blue lever, slide the movable edge guide toward you until it stops.



- 10 Place the paper in the paper path along the edge guide and align the leading edge with the  mark.


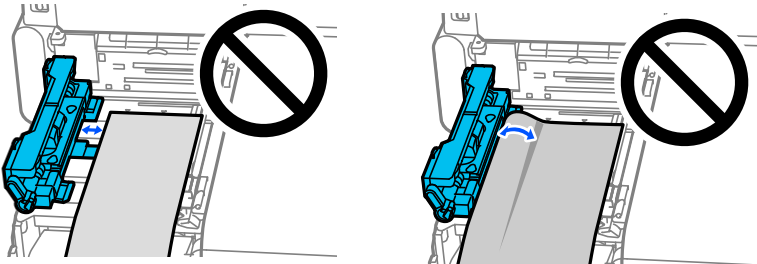


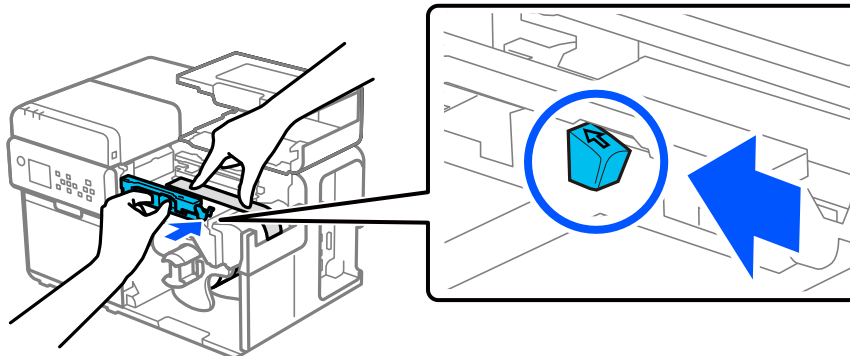
Caution

Make sure the leading edge of the paper has no creases, tears, wrinkles, peeling labels, or other deformities. Inserting deformed paper may cause an error in paper feeding, misprinting, or paper jamming.

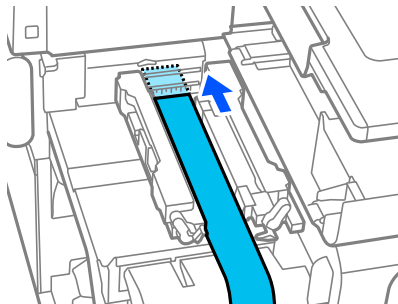
Basic Operation

- 11** Hold down the paper with your hand to keep it flat, and while pressing the blue lever, slide the movable edge guide against the paper.

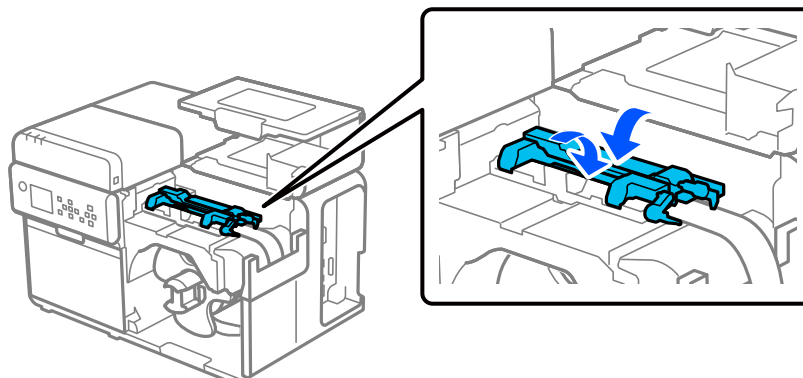
 <p>Caution</p>	<p>If the movable edge guide is not properly slid against the paper, print position may become incorrect or a paper jam may occur. Make sure to follow the guidelines below.</p> <ul style="list-style-type: none"> <input type="checkbox"/> There should be no gap between the guide and the paper edge. <input type="checkbox"/> Slide the guide against the paper gently, not too tightly. 
---	--



- 12** Insert the leading edge of the paper into the slot until the paper is automatically fed into the printer.

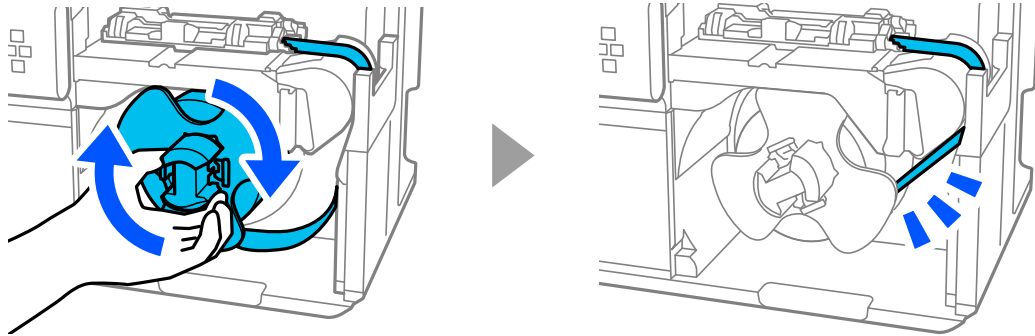


- 13** Lower the paper holds.

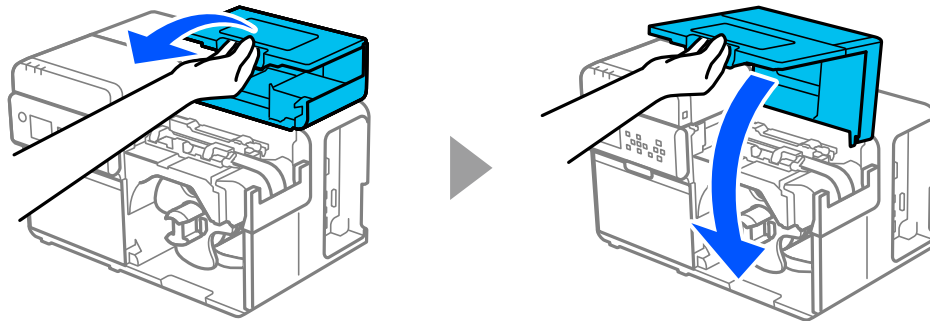


Basic Operation

- 14** Turn the flange clockwise to take up the slack in the roll paper.

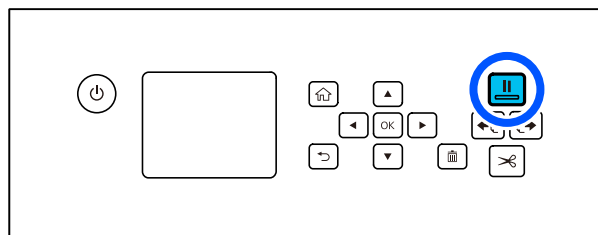


- 15** Close the paper cover.



- 16** Press the  (pause) button.

Check that the printer is ready for printing by checking the home screen.



Loading Fanfold Paper



Watching the Video on How to Load Paper

https://support.epson.net/p_doc/95e/

“Loading Roll Paper/Fanfold Paper in the Printer (CW-C8000 Series)”



Viewing How to Load Paper on the Operation Panel

? (Help) – How To... – Load Media – Rear Feed



Caution

After turning on the printer, wait until the home screen is displayed, and then open the paper cover. If you open the cover before the home screen is displayed, the printer may fail to load the paper correctly.

1

Turn the printer on.

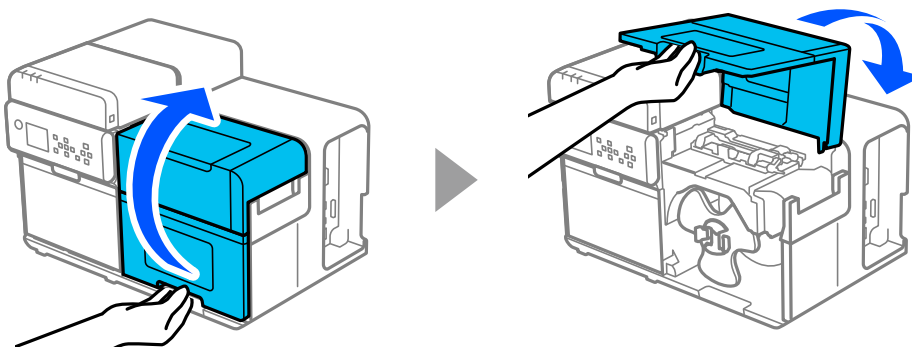
“Turning the Power On” on page 27

2

Wait until the home screen appears.

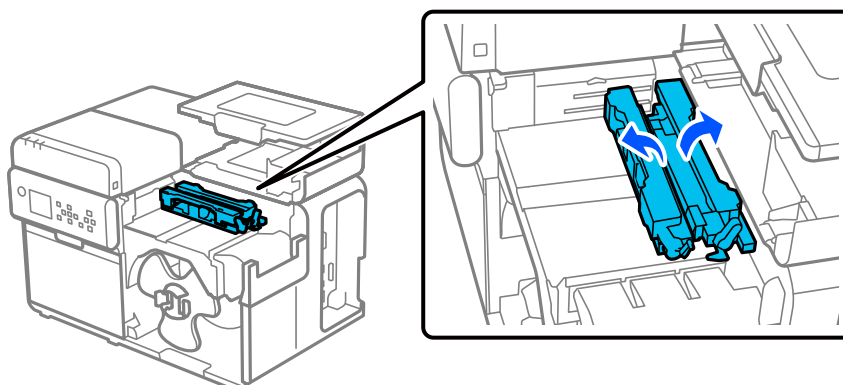
3

Open the paper cover.



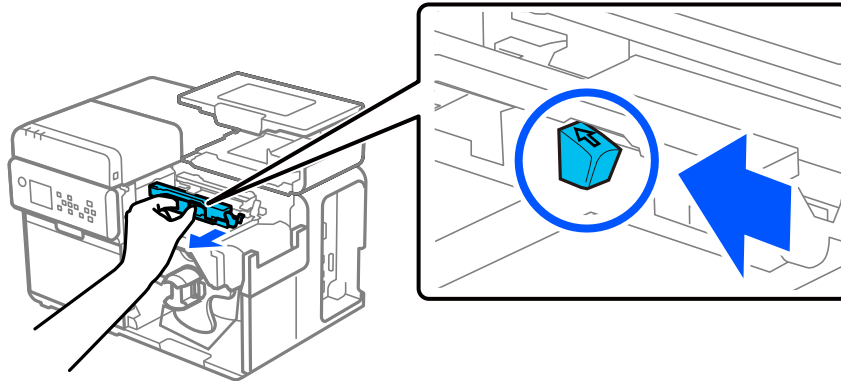
4

Raise the paper holds.

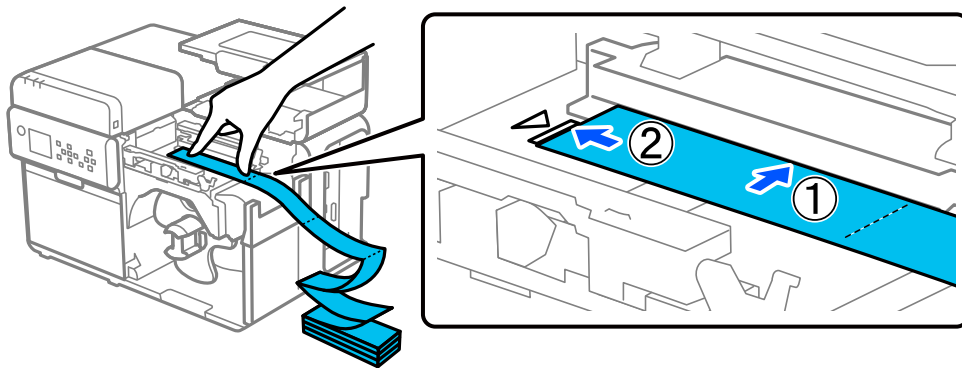



Basic Operation

- 5** While pressing the blue lever, slide the movable edge guide toward you until it stops.




- 6** Place the paper in the paper path along the edge guide and align the leading edge with the ∇ mark.

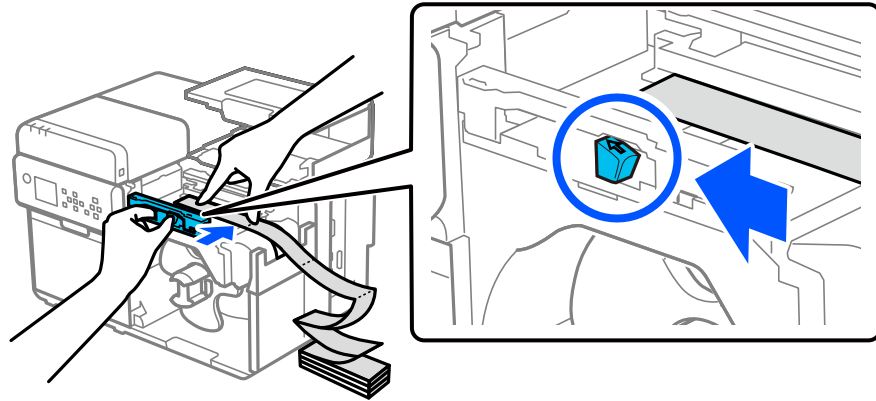


 Caution	<p>Make sure the leading edge of the paper has no creases, tears, wrinkles, peeling labels, or other deformities. Inserting deformed paper may cause an error in paper feeding, misprinting, or paper jamming.</p>
--	--

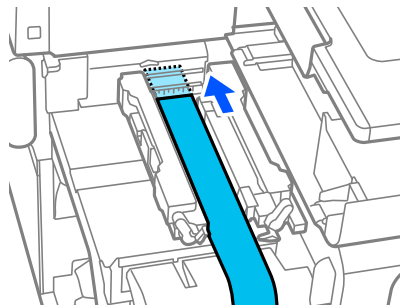
- 7** Hold down the paper with your hand to keep it flat, and while pressing the blue lever, slide the movable edge guide against the paper.

 Caution	<p>If the movable edge guide is not properly slid against the paper, print position may become incorrect or a paper jam may occur. Make sure to follow the guidelines below.</p> <ul style="list-style-type: none"> <input type="checkbox"/> There should be no gap between the guide and the paper edge. <input type="checkbox"/> Slide the guide against the paper gently, not too tightly.
--	---

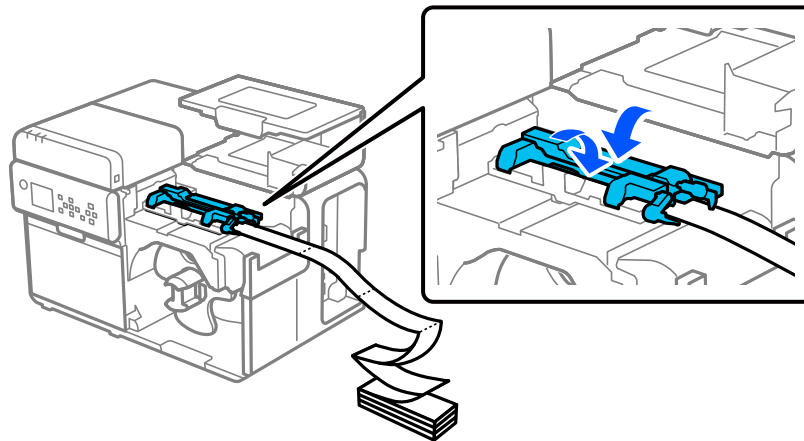
Basic Operation



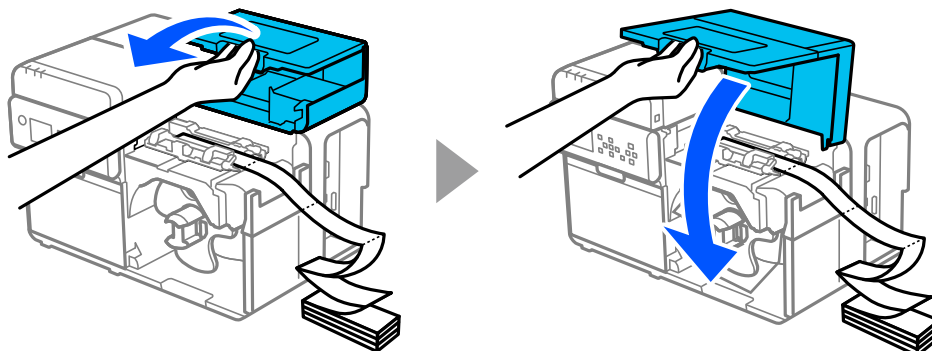
8 Insert the leading edge of the paper into the slot until the paper is automatically fed into the printer.



9 Lower the paper holds.

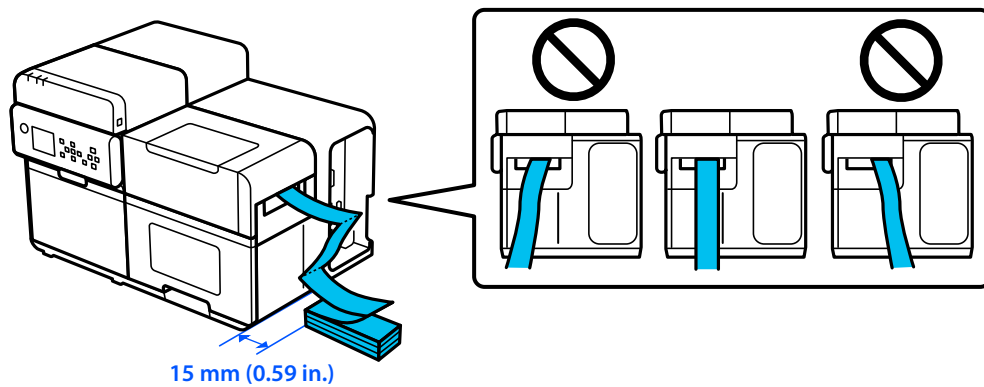


10 Close the paper cover.



Basic Operation

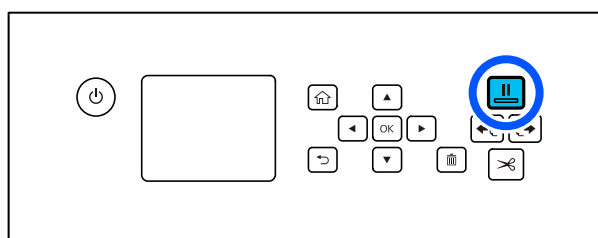
- 11** Place the stack of fanfold paper at least 15 mm {0.59 in.} away from the printer. Be sure that the paper is fed in a straight line to the paper feed slot.



Caution

Make sure not to let the fanfold paper to curl near the printer. Doing so will deform the paper resulting in a paper jam or a print quality problem.

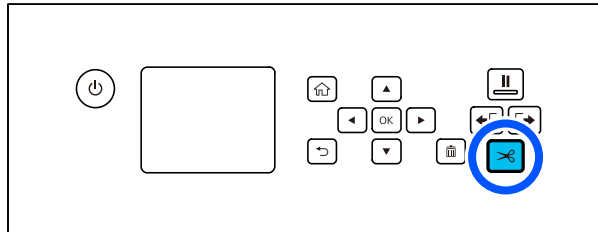
- 12** Press the (pause) button.
Check that the printer is ready for printing by checking the home screen.




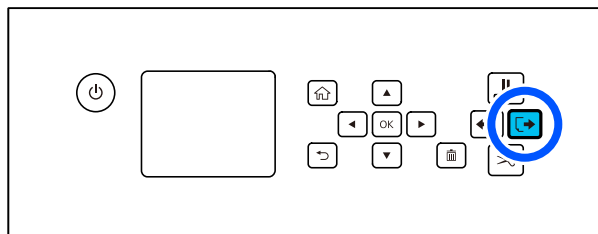
Basic Operation

How to Remove Paper

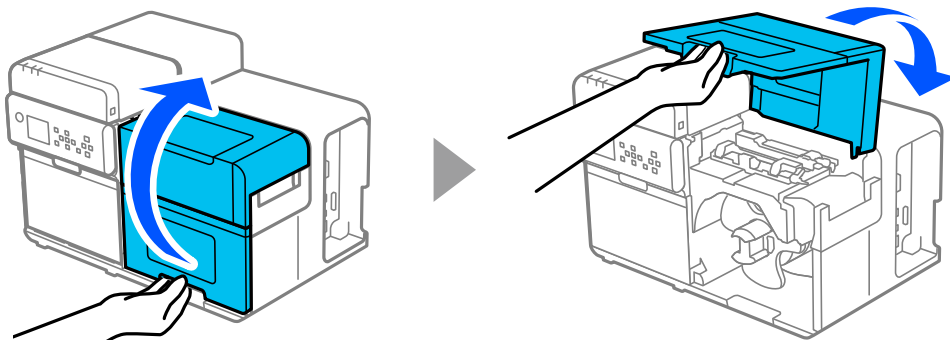
- 1 Cut the paper.



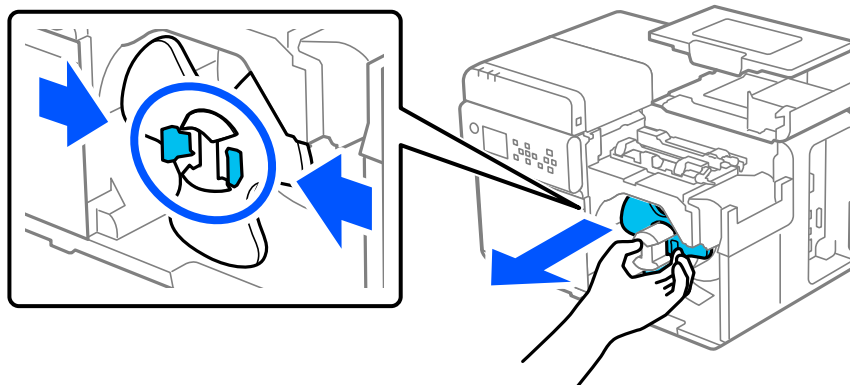
- 2 Hold down the  (back-feed) button until the paper stops moving.



- 3 Open the paper cover.

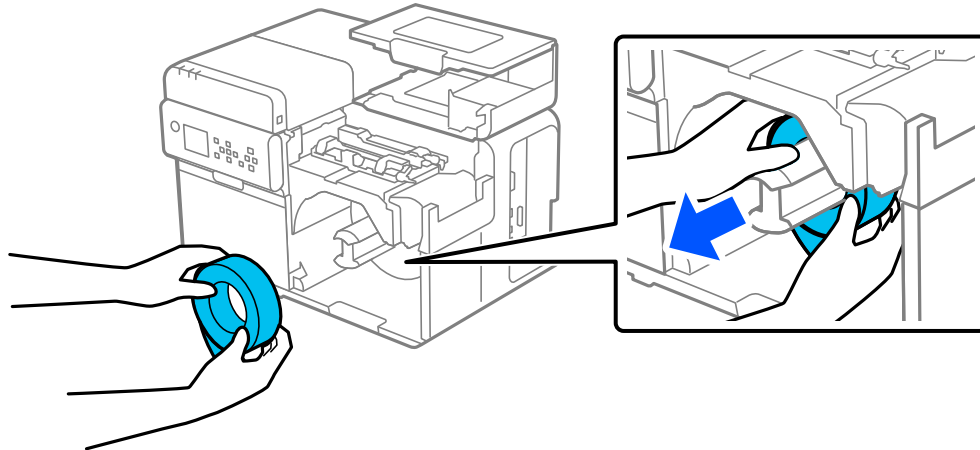


- 4 Remove the roll paper flange from the spindle while squeezing the levers of the flange.

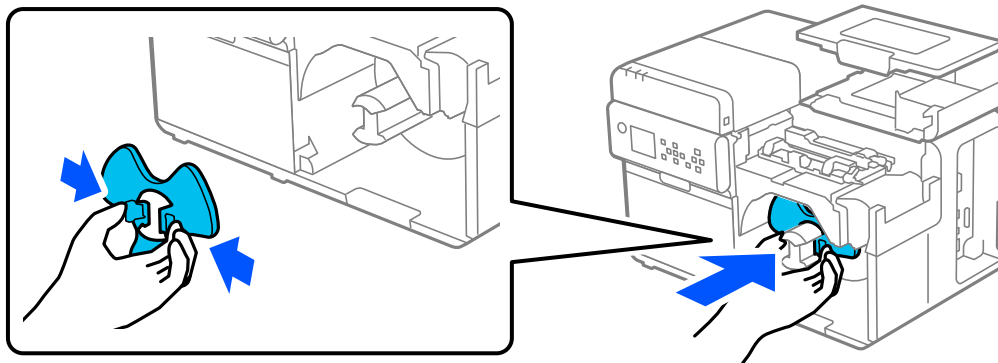


Basic Operation

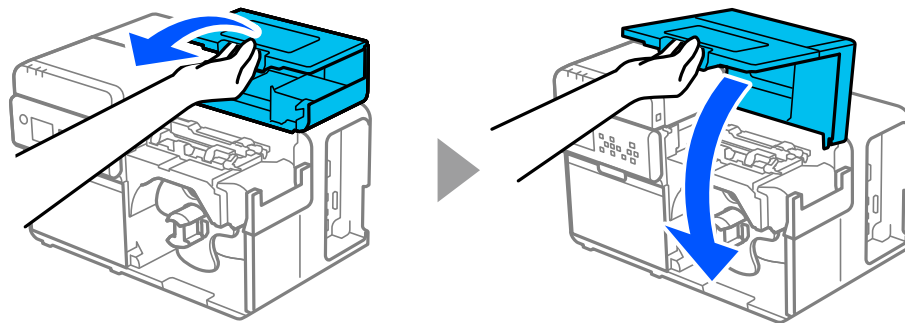
- 5 Remove the roll paper from the spindle.



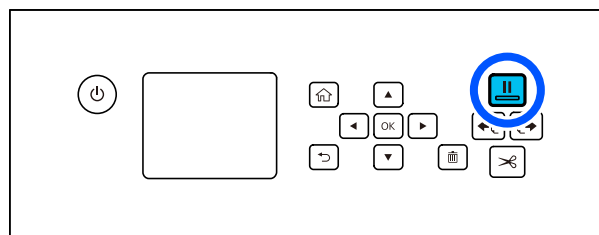
- 6 Attach the roll paper flange to the spindle.



- 7 Close the paper cover.



- 8 Press the  (pause) button.



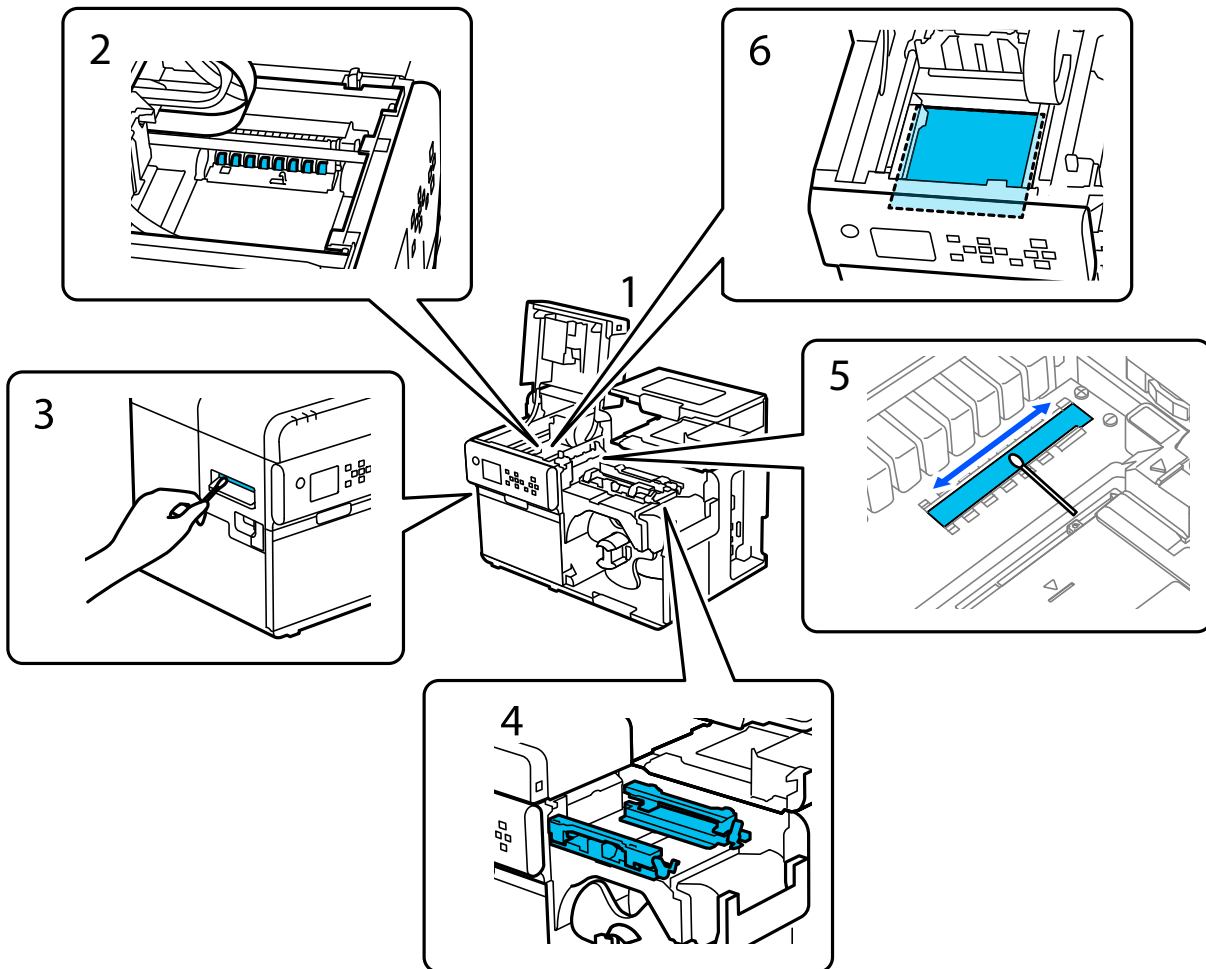
Removing the paper is now completed.

Basic Operation

To load paper, see [“Loading Roll Paper” on page 45](#) or [“Loading Fanfold Paper” on page 50](#).

Maintenance

This chapter describes how to carry out maintenance of the printer.



- 1 “Cleaning the Exterior” on page 58
- 2 “Cleaning the Paper Pressure Rollers” on page 62
- 3 “Cleaning the Auto Cutter” on page 59
- 4 “Cleaning the Edge Guides” on page 60
- 5 “Cleaning the Gap Detector (Light Emitting Unit)” on page 64
- 6 “Cleaning the Platen” on page 66

Maintenance

Cleaning the Exterior

Turn the printer off and then disconnect the power cable from the outlet. Then wipe off any dirt with a dry cloth or non-woven fabric that has been dampened.



Do not use alcohol, benzene, thinner, trichloroethylene, or ketone based solvent to clean the exterior of the printer. Doing so may deform or damage the plastic and rubber parts.

Cleaning the Auto Cutter



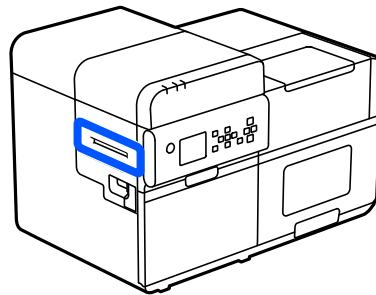
Watching the Video on How to Clean the Printer

https://support.epson.net/p_doc/95e/

👉 "Cleaning the Printer (CW-C8000 Series)"

If labels, paper dust, or adhesive has adhered to the fixed blade of the auto cutter, the blade may become dull.

Clean the fixed blade following the procedure below.



1

If paper has been loaded, remove it.

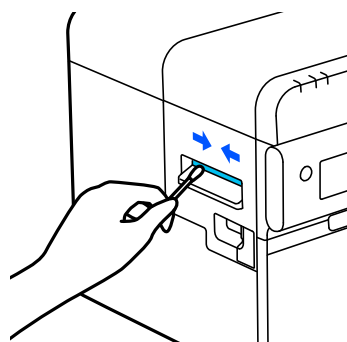
👉 "How to Remove Paper" on page 54

2

Turn the printer off and then disconnect the power cable from the outlet.

3

Using an alcohol-soaked cotton swab, remove labels, paper dust, and adhesive materials adhering to the fixed blade of the auto cutter from both ends toward the center, as shown in the figure below.



Cleaning the Edge Guides



Watching the Video on How to Clean the Printer

https://support.epson.net/p_doc/95e/

“Cleaning the Printer (CW-C8000 Series)”



Viewing How to Clean the Edge Guides on the Operation Panel

? (Help) – How To... – Clean the Edge Guide

Labels, paper dust, or sticky materials on the edge guides may degrade print quality.

Clean the edge guides following the procedure below.

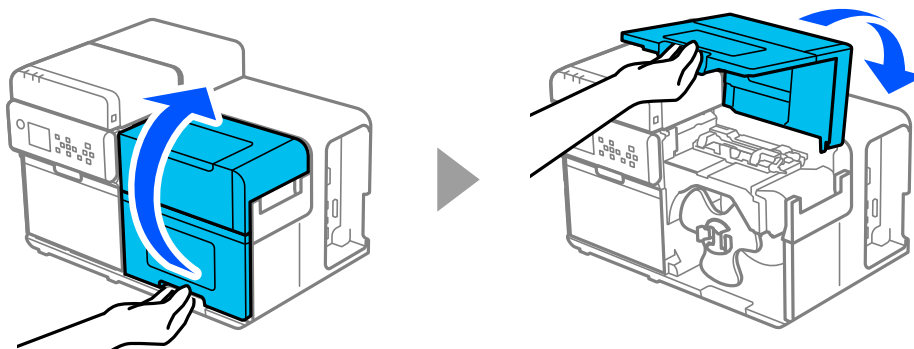
1

If paper has been loaded, remove it.

“How to Remove Paper” on page 54

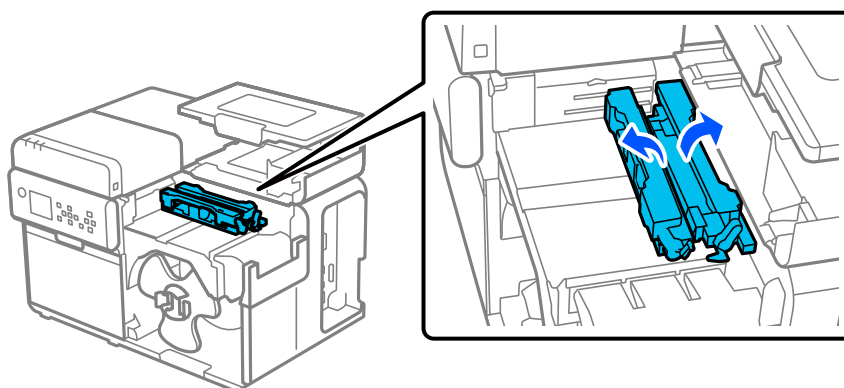
2

Open the paper cover.



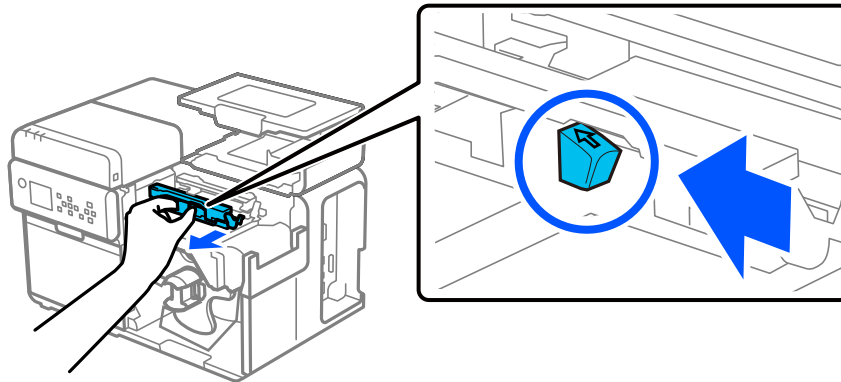
3

Raise the paper holds.

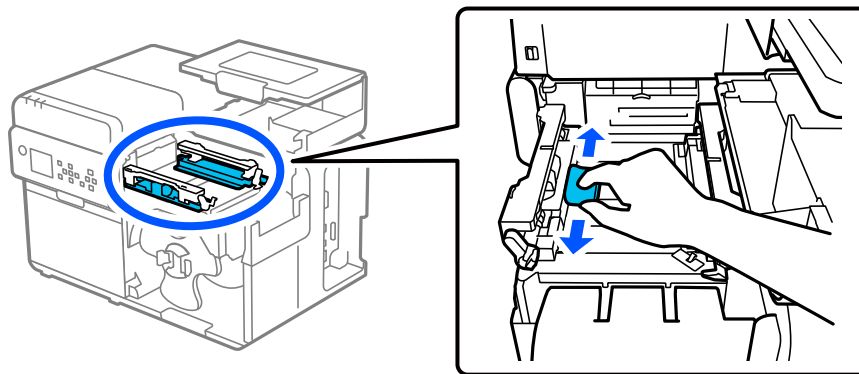


Maintenance

- 4** While pressing the blue lever, slide the movable edge guide toward you until it stops.



- 5** Remove labels, paper dust, and adhesive materials from the edge guides with a soft cloth dampened with water and wrung tightly.

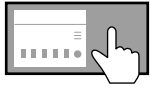


Caution

Do not use alcohol, benzene, thinner, trichloroethylene, or ketone based solvent for the cleaning. Doing so may deform or damage the plastic and rubber parts.


Cleaning the Paper Pressure Rollers

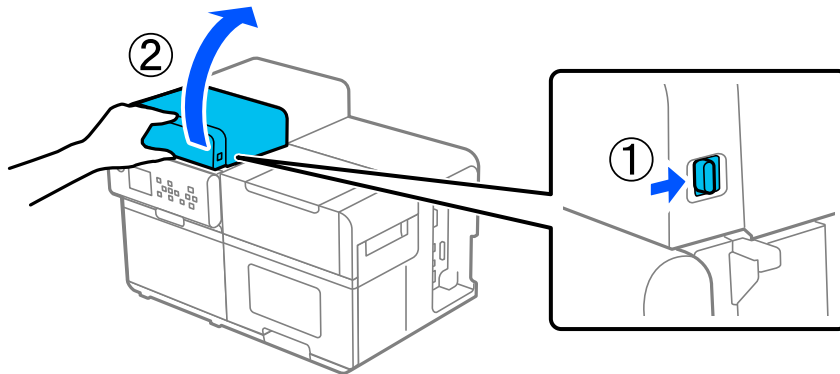
  **Watching the Video on How to Clean the Printer**
https://support.epson.net/p_doc/95e/
 "Cleaning the Printer (CW-C8000 Series)"

 **Viewing How to Clean the Paper Pressure Rollers on the Operation Panel**
 ? (Help) – How To... – Clean the Paper Pressure Roller

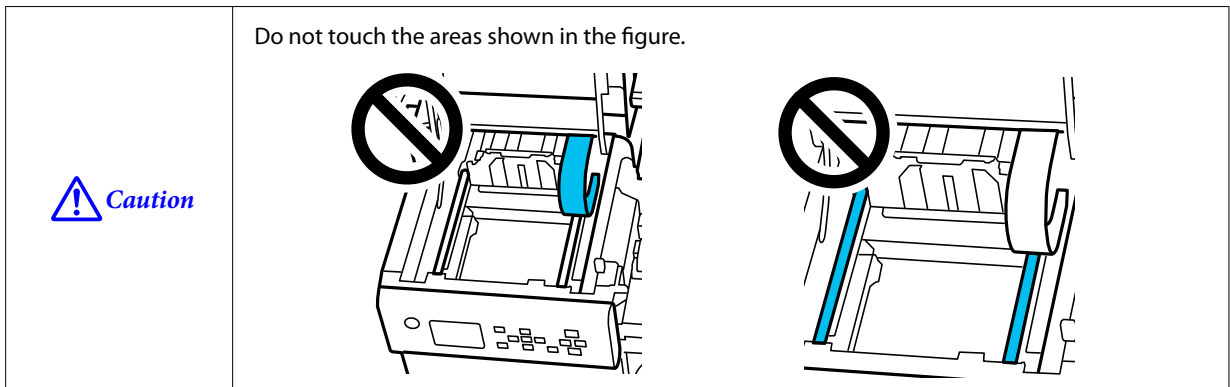
Labels, paper dust, or sticky material on the paper pressure rollers may cause paper jams or blurred printing results.

Clean the paper pressure rollers following the procedure below.

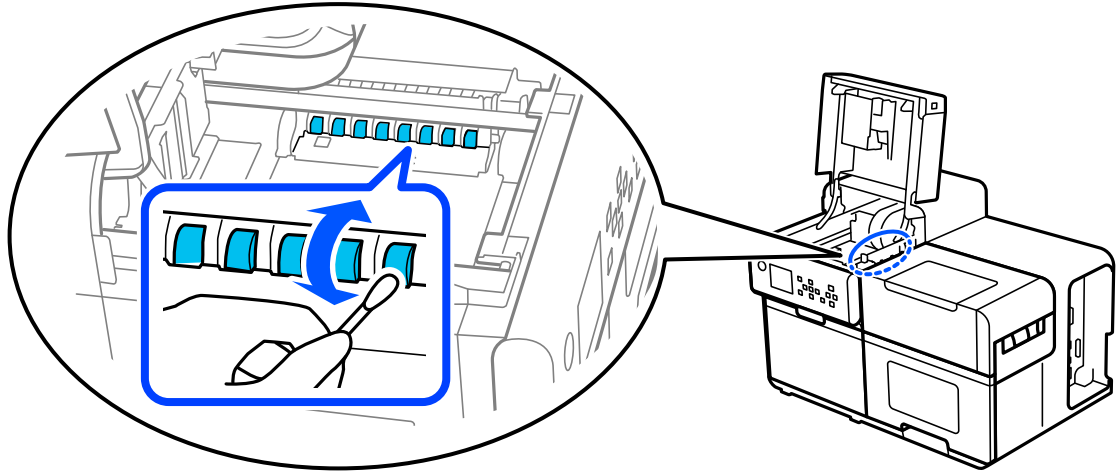
- 1** If paper has been loaded, remove it.
 ["How to Remove Paper" on page 54](#)
- 2** Push the lever backward and open the top cover.



- 3** Remove labels, paper dust, and adhesive materials from the paper pressure rollers using an alcohol-soaked cotton swab.



Maintenance




Maintenance

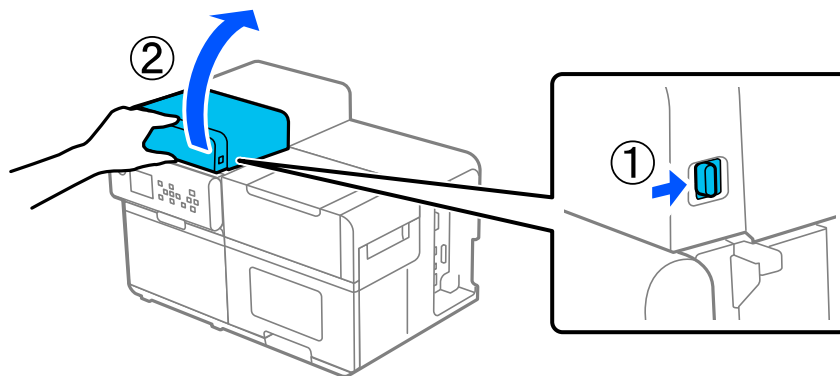
Cleaning the Gap Detector (Light Emitting Unit)

If ink, paper dust, or adhesive materials adhere to the transparent plate on the light-emitting side of the gap detector, the following problems may occur.

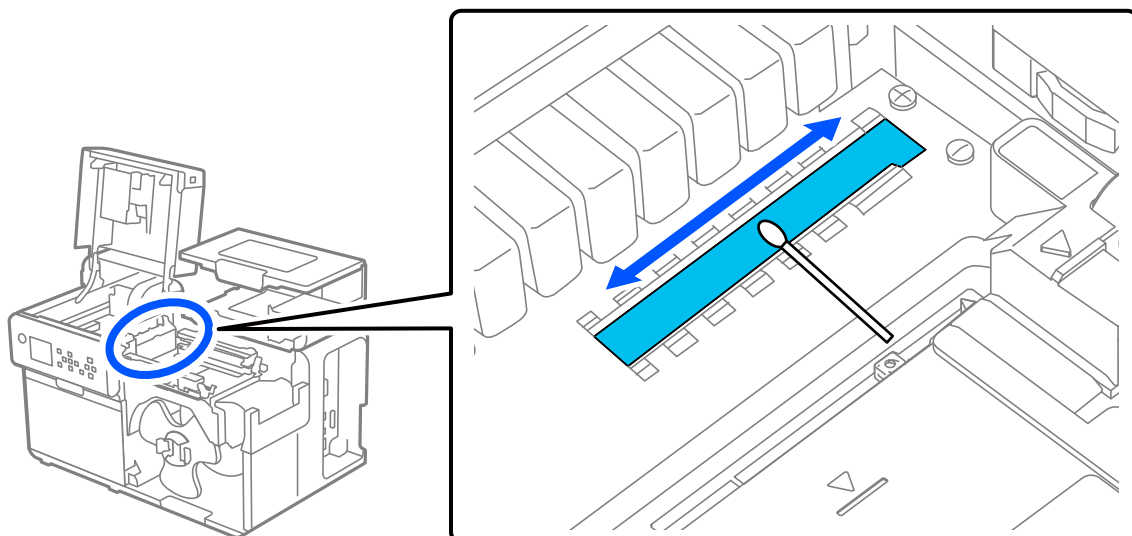
- ❑ Loaded paper is not fed
- ❑ Paper is ejected and an error occurs because the gap is not detected

Follow the steps below to clean the detector.


- 1** If paper has been loaded, remove it.
 [“How to Remove Paper” on page 54](#)
- 2** Turn the printer off and then disconnect the power cable from the outlet.
- 3** Push the lever backward and open the top cover.



- 4** Raise the paper insertion slot cover and remove any ink, paper dust, or sticky material adhering to the transparent plate of the gap detector (light emitting side) with a cotton swab moistened with water.



Maintenance

 Caution	<ul style="list-style-type: none">❑ Make sure the paper path is not wet after cleaning.❑ Do not use alcohol, benzine, thinner, trichloroethylene, or ketone based solvent for cleaning. Doing so may deform or damage the plastic and rubber parts.
--	--

Cleaning the Platen



Watching the Video on How to Clean the Printer

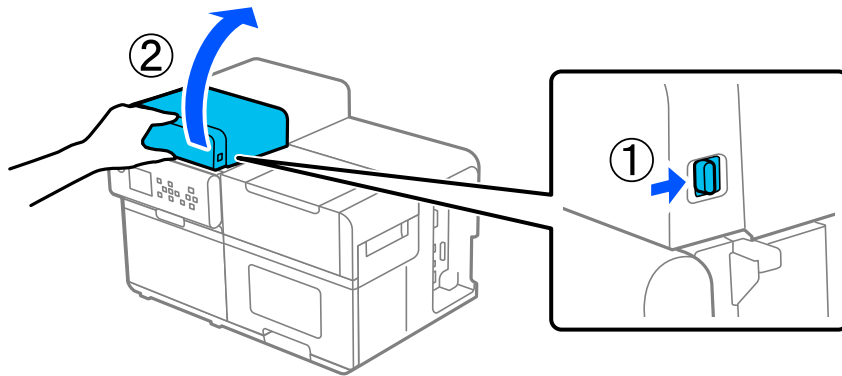
https://support.epson.net/p_doc/95e/

👉 “Cleaning the Printer (CW-C8000 Series)”

Labels, paper dust, or sticky materials on the platen may cause paper jams or misalignment of print positions.

Clean the platen following the procedure below.

- 1 Make sure the printer is turned off.
- 2 If paper has been loaded, remove it.
👉 “How to Remove Paper” on page 54
- 3 Push the lever backward and open the top cover.

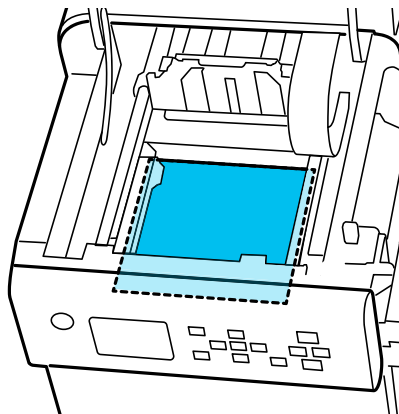


- 4 Remove labels, paper dust, and sticky materials from the platen with a soft cloth dampened with water and wrung out tightly, or a cotton swab.



Caution

Be careful not to leave cloth or cotton swab fibers on the platen when removing stains.

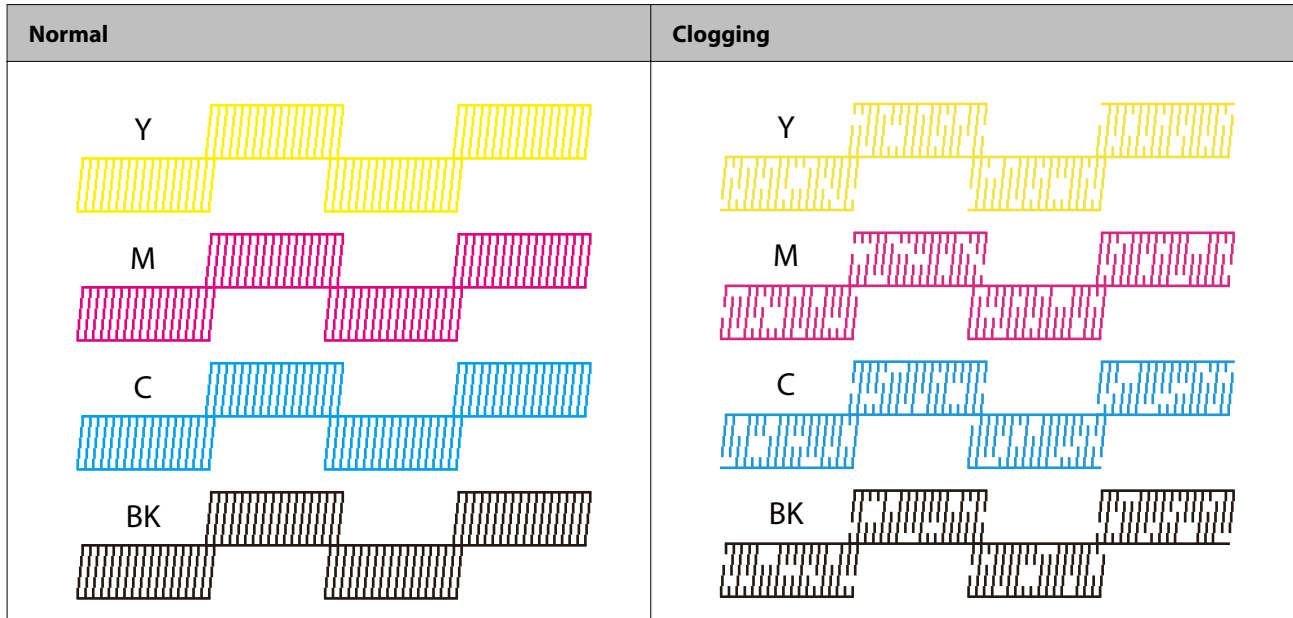


- 5 Close the top cover.

Cleaning the Print Head

If the nozzles are clogged, faint colors, banding, or unintended colors appear on printouts. When such print quality problems occur, print nozzle check patterns and check for nozzle clogging. When the printed patterns show the nozzle clogging state, run a head cleaning.

Example of the nozzle check patterns with gloss black ink



Printing Nozzle Check Patterns

If the nozzles are clogged, faint colors, banding, or unintended colors appear on printouts. When such print quality problems occur, print nozzle check patterns and check for nozzle clogging.

<p>Note</p>	<p>The nozzle check pattern is printed to fit the paper width set on the printer's operation panel. However, if the printer detects that the actual paper width is narrower than the set paper width, the nozzle check pattern is printed to fit the actual paper width.</p>
--------------------	--

Media Forms that Can be Used for Nozzle Check Pattern Printing

- Continuous paper
- Full-page label
- Die-cut label with a length of approximately 112 mm {4.41 in.} or more*¹
- Tag*²

*1: If the die-cut label is less than approximately 112 mm {4.41 in.} long, some portions of the nozzle check pattern will be printed onto the backing paper.

*2: Since the pattern cannot be printed avoiding the holes in the tag, part of the pattern may be printed on the platen through the holes.

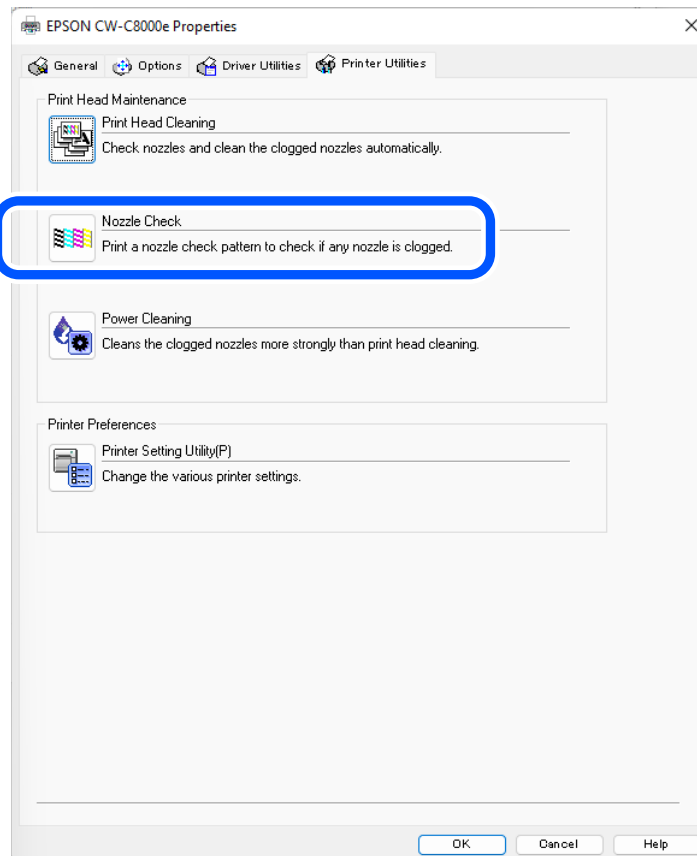
Maintenance

Using the Operation Panel

Menu – Maintenance – Print Head Nozzle Check

Using the Printer Driver

Click **Nozzle Check** on the **Printer Utilities** tab.



Using the WebConfig

Select **Print Nozzle Check Pattern** on the **Maintenance** window, and then click **Start**.

<i>Note</i>	For information about WebConfig, see the CW-C8000 Series Technical Reference Guide.
-------------	---

Running Print Head Cleaning

If nozzles are clogged, run **Print Head Cleaning**. Run **Power Cleaning** only when nozzle clog is not cleared by running **Print Head Cleaning**.

To run a print head cleaning, select the menu as described below.

Maintenance

<p>! <i>Important</i></p>	<ul style="list-style-type: none"> <input type="checkbox"/> Do not turn off the power or open the covers during head cleaning. Doing so may cause printing malfunction. <input type="checkbox"/> Do not run the head cleaning more than necessary. Ink is consumed because ink is discharged from the head to clean it. <input type="checkbox"/> If there is not much ink remaining, head cleaning may not be possible. Replace the ink packs and then try again. <ul style="list-style-type: none"> "Replacing the Ink Packs" on page 32 <input type="checkbox"/> The Power Cleaning consumes ink more than Print Head Cleaning.
----------------------------------	---

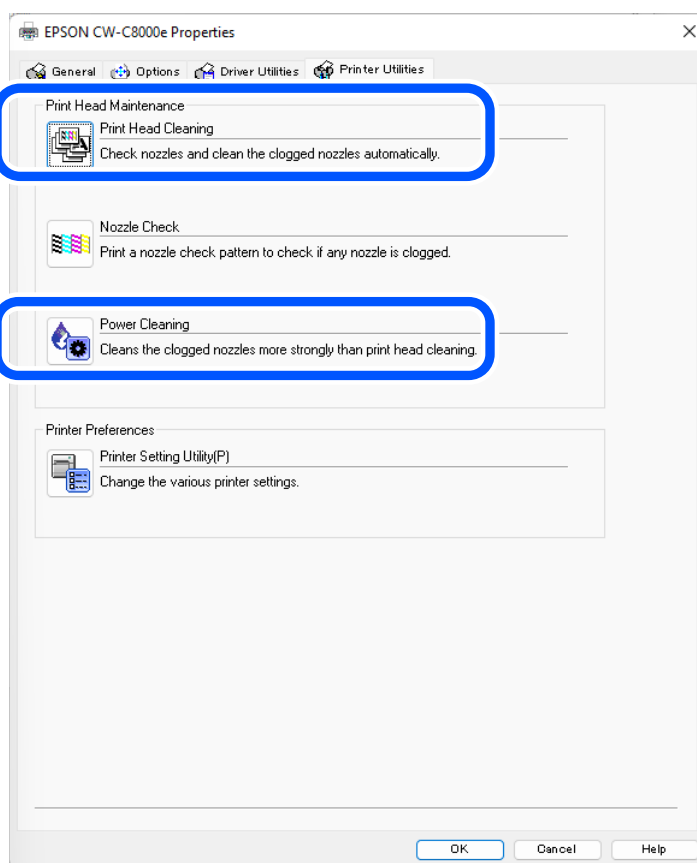
Using the Operation Panel

Menu – Maintenance – Print Head Cleaning

Menu – Maintenance – Power Cleaning

Using the Printer Driver

Click **Print Head Cleaning** or **Power Cleaning** on the **Printer Utilities** window.



Using the WebConfig




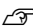




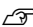

Select **Print Head Cleaning** on the **Maintenance** window. Then select the cleaning type from **Auto** or **Power Cleaning**, and then click **Start**.

<p><i>Note</i></p>	<p>For information about WebConfig, see the CW-C8000 Series Technical Reference Guide.</p>
--------------------	--




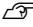





Troubleshooting

This chapter describes how to resolve problems. For troubleshooting information that is not described here, see the CW-C8000 Series Technical Reference Guide.




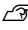
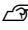
A Message is Displayed on the Operation Panel

Message	Solution and Reference
<p>Information</p> <p>Paper feed error.</p> <p>Load the paper or change the media source setting.</p>	<p>Use paper that matches the Media Source and Media Form settings. Or change the Media Source and Media Form settings to match them with the loaded paper.</p> <p> "Printer Driver Settings" on page 39</p>
<p>Information</p> <p>Cannot detect the paper specified by the Media Detect setting.</p> <p>Load paper that matches the setting or change the setting.</p>	<p>Use paper that matches the Media Detect settings. Or change the Media Detect settings to match them with the loaded paper.</p> <p> "Printer Driver Settings" on page 39</p>
<p>(On the home screen)</p> <p>Load paper.</p>	<p>Load paper.</p> <p> "Loading and Replacing Paper" on page 44</p>
<p>Information</p> <p>The media size loaded does not match the size set in the media layout settings.</p> <p>Check the instructions to replace the media or cancel printing to change the media layout settings.</p>	<p>Load media that matches the print area size. Or change the print area to match it with the media size.</p> <p> "Loading and Replacing Paper" on page 44</p>
<p>Information</p> <p>Failed to detect labels. Reload the paper following the operating instructions, or restart printing.</p>	<p>Remove the paper, and then load the paper again.</p> <p> "How to Remove Paper" on page 54</p> <p> "Loading and Replacing Paper" on page 44</p>
<p>No paper</p> <p>The roll paper is not loaded.</p>	<p>Load roll paper.</p> <p> "Loading and Replacing Paper" on page 44</p>
<p>No paper</p> <p>The fanfold paper is not loaded.</p>	<p>Load fanfold paper.</p> <p> "Loading and Replacing Paper" on page 44</p>
<p>Information</p> <p>Paper jam.</p>	<p>Remove the jammed paper and then load paper.</p> <p> "Roll Paper is Jammed" on page 78</p> <p> "Fanfold Paper is Jammed" on page 83</p>

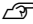

Troubleshooting

Message	Solution and Reference
<p>Information</p> <p>The paper is not loaded correctly.</p> <p>Remove the paper from the paper guide unit, close the paper cover, and then press the "Pause" button.</p>	<p>Remove the paper, and then load the paper again.</p> <p> "How to Remove Paper" on page 54</p> <p> "Loading and Replacing Paper" on page 44</p> <p>Depending on the condition of the end of the roll paper, this error may occur because the printer cannot detect that the paper has run out. Check the condition of the end of the roll. For more details, see the CW-C8000 Series Technical Reference Guide.</p> <p>Make sure that the light-receiving detector adjustment tab and the light-emitting detector adjustment tab are in the same position.</p> <p>If this does not resolve the problem, calibrate the detector.</p> <p>For more details, see the CW-C8000 Series Technical Reference Guide.</p>
<p>Information</p> <p>Pattern 1</p> <p>Calibration failed.</p> <p>Confirm the setting and try again.</p> <p>Pattern 2</p> <p>Calibration failed.</p> <p>Press the "Dismiss" button.</p> <p>Then reload or replace the paper.</p>	<p>Make sure that the paper loaded in the printer matches the paper detection method (gap or black mark), and reset the paper.</p> <p> "Loading and Replacing Paper" on page 44</p> <p>Calibration is impossible if Gap Between Labels exceeds 6 mm {0.24 in.}.</p> <p> "Supported Paper" on page 15</p> <p>If the error still occurs, the detector cannot handle the paper. Replace the paper.</p>
<p>Information</p> <p>The paper has already been cut and cannot be cut.</p>	<p>This error occurs when you press the Cut button at the position where the paper is already cut.</p> <p>Feed the paper by printing or pressing the Feed button to enable the Cut button.</p>
<p>Maintenance Error</p> <p>The ink pack is not installed correctly.</p>	<p>Install an ink pack with a sufficient amount of ink remaining.</p> <p> "How to Replace the Ink Packs" on page 32</p>
<p>(On the home screen, an exclamation mark appears on the ink levels)</p>	<p>It is almost time to replace the ink pack. Prepare a new ink pack for replacement.</p> <p>If you continue to use the ink pack that is low on ink, you may be required to replace it during printing.</p> <p> "How to Replace the Ink Packs" on page 32</p> <p>The removed ink pack can be installed again and used until you are prompted to replace it.</p>
<p>Ink levels are not enough for Initialization.</p>	<p>Install ink pack(s) with sufficient ink remaining.</p> <p> "How to Replace the Ink Packs" on page 32</p>
<p>Information</p> <p>You need to replace the following ink pack(s).</p>	<p>Install an ink pack with a sufficient amount of ink remaining.</p> <p> "How to Replace the Ink Packs" on page 32</p>
<p>Maintenance Error</p> <p>Cannot recognize the ink pack.</p> <p>Select "Next" to clear the error.</p>	<p>Reinstall the ink pack.</p> <p>If the error reoccurs, replace the ink pack with a new one.</p> <p> "How to Replace the Ink Packs" on page 32</p>

Troubleshooting

Message	Solution and Reference
<p>Information</p> <p>You have not installed genuine Epson ink packs.</p>	<p>For the best performance of the printer, it is recommended to use genuine Epson ink packs.</p> <p>Use of non-genuine Epson products can adversely affect the printer and print quality and prevent the printer from realizing its maximum performance.</p> <p>Epson cannot guarantee the quality and reliability of non-genuine Epson products.</p> <p>Repairs for any damage or breakdown of this product due to the use of non-genuine Epson products will not be free of charge even if the warranty period is still valid.</p>
<p>Information</p> <p>The ink packs are not compatible with the printer.</p>	<p>Because the installed ink packs are not the ones for this printer, an error such as a ink pack detection error may occur.</p>
<p>Maintenance Error</p> <p>Maintenance Box not installed.</p> <p>Product Number: SJMB7500</p>	<p>Install a new maintenance box.</p> <p> "How to Replace the Maintenance Box" on page 36</p>
<p>Maintenance Error</p> <p>Cannot recognize the Maintenance Box.</p> <p>Product Number: SJMB7500</p>	<p>Reinstall the maintenance box.</p> <p>If the error reoccurs, replace the maintenance box with a new one.</p> <p> "How to Replace the Maintenance Box" on page 36</p>
<p>(On the home screen)</p> <p>The Maintenance Box is nearing end of its service life.</p>	<p>It is almost time to replace the maintenance box. Prepare a new maintenance box for replacement.</p> <p>When a message saying "The Maintenance Box is at the end of its service life. You need to replace it." is displayed, replace the maintenance box.</p> <p> "How to Replace the Maintenance Box" on page 36</p>
<p>Maintenance Error</p> <p>The Maintenance Box is at the end of its service life.</p> <p>You need to replace it.</p> <p>Product Number: SJMB7500</p>	<p>Replace the maintenance box with a new one.</p> <p> "How to Replace the Maintenance Box" on page 36</p>
<p>Information</p> <p>Memory Full. Document was not printed.</p>	<p>Contact your system administrator and delete unnecessary files.</p>
<p>Printer Error</p> <p>Turn on the printer again.</p> <p>See your documentation for more details.</p> <p>XXXXXX</p>	<ol style="list-style-type: none"> 1. Turn off the printer. 2. Check that there is no paper jam or foreign materials near the ejection slot. 3. Turn the printer on. <p>If the printer error still occurs, contact qualified service personnel for advice. When contacting, tell the person the "XXXXXXX" (a 6- or 8-digit alphanumeric code).</p>
<p>Information</p> <p>Cannot start cleaning because ink is low.</p> <p>Printer features except cleaning are available.</p>	<p>When running the cleaning, install ink packs with a sufficient amount of ink remaining.</p> <p> "How to Replace the Ink Packs" on page 32</p>

Troubleshooting

Message	Solution and Reference
<p>Information</p> <p>Cannot start cleaning because the Maintenance Box is near full.</p> <p>Printer features except cleaning are available.</p>	<p>When performing cleaning, install a maintenance box with sufficient free space.</p> <p> "Replacing the Maintenance Box" on page 36</p>
<p>Information</p> <p>Paused</p> <p>The print quality may decrease because the nozzles are clogged.</p>	<p>The print quality may decrease because the nozzles are clogged. If it is not acceptable, run Print Head Cleaning.</p> <p> "Cleaning the Print Head" on page 67</p>
<p>Information</p> <p>The print quality may decrease because the status of nozzles cannot be detected.</p>	<p>The automatic nozzle check function is disabled, which may result in poor print quality. Enable the setting if necessary.</p> <p>The printer is also able to complement missing dots caused by clogged nozzles using adjacent nozzles if a total of 16 or fewer nozzles are clogged.</p> <p>For more details, see the CW-C8000 Series Technical Reference Guide.</p>
<p>Error Message</p> <p>The connection between your network and the printer is unstable.</p> <p>You may be able to solve this problem by disabling the IEEE802.3az (Energy Efficient Ethernet) function.</p> <p>See your documentation for more details.</p>	<p>When connecting to a wired LAN using a device that supports IEEE802.3az (Energy Efficient Ethernet), the connection may become unstable, the connection may not be possible, or the communication speed may slow down.</p> <p>Follow the steps below to disable the IEEE802.3az function on your computer and printer.</p> <ol style="list-style-type: none"> 1. Disconnect the LAN cables from the computer and printer respectively. 2. If the IEEE802.3az function has been enabled on your computer, disable it. 3. Connect the computer and printer directly with a LAN cable. 4. On the printer, select Menu - General Settings - Network Settings - Connection Check to check the IP address of the printer. 5. Start WebConfig on the computer. <p>Start your web browser and enter the IP address of the printer.</p> <ol style="list-style-type: none"> 6. Select the Network Settings tab, then Ethernet. 7. Set IEEE 802.3az to Off. 8. Click Next. 9. Click Apply. 10. Disconnect the LAN cable from the computer and printer. 11. If you disabled IEEE802.3az on your computer in step 2, enable it. 12. Connect the LAN cables you disconnected in step 1 to the computer and printer. <p>If the problem still occurs, a device other than the printer may be causing the problem.</p>
<p>(On the home screen)</p> <p>Maintenance Request:</p> <p>Replace Parts Soon</p> <p>XXXXXXXX</p>	<p>You will need to replace the parts.</p> <p>Contact qualified service personnel for advice. When contacting, tell the person the "XXXXXXXX" (a 6- or 8- digit alphanumeric code).</p> <p>This message cannot be cleared until the part is replaced. If the part reaches the end of its service life, printing is disabled.</p>



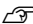
Troubleshooting

Message	Solution and Reference
<p>End Of Parts Service Life</p> <p>Turn on the printer again.</p> <p>See your documentation for more details.</p> <p>XXXXXXXX</p>	<p>Printing is disabled until you replace the parts.</p> <p>Contact qualified service personnel for advice. When contacting, tell the person the "XXXXXXXX" (a 6- or 8-digit alphanumeric code).</p>
<p>The printer can't connect to cloud service.</p> <p>Please check the connection status and settings with the cloud service.</p> <p>Please contact your administrator for details.</p>	<p>The printer is failing to connect to the Loftware Cloud.</p> <p>Contact your system administrator for more information.</p>


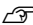
Troubleshooting

Problems with Print Quality

Vertical (Paper Width Direction) White Banding

Cause	Solution and Reference
<p>Printed paper was fed backward</p>	<ul style="list-style-type: none"> ❑ If printed paper is fed backward, the paper is stepped on by the paper pressure rollers and print quality deteriorates. Be sure to separate paper that has already been printed with the  (cut) button. ❑ Before the paper is fed backward, separate the printed paper with the  (cut) button or set the Settings For Paper Handling After Print to other than Do not cut (stop at cut position) or Do not cut (stop at specified position). <p>The Settings For Paper Handling After Print can be set in the Media Settings of the printer driver.</p> <p> "Printer Driver Settings" on page 39</p>

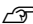
Horizontal (Printing Direction) White Banding

Cause	Solution and Reference
<p>The nozzles are clogging.</p>	<p>Use the Print Head Nozzle Check function to check the nozzles for clogging.</p> <p> "Printing Nozzle Check Patterns" on page 67</p> <p>If the nozzles are clogging, run Print Head Cleaning.</p> <p>If the symptom persists after repeating Print Head Cleaning three or more times, run Power Cleaning.</p> <p> "Cleaning the Print Head" on page 67</p> <p>If the nozzle self-diagnostic function is disabled, change it to enabled (default). For more details, see the CW-C8000 Series Technical Reference Guide.</p>

White or Black Banding


Cause	Solution and Reference
<p>The settings of Banding Reduction is not appropriate.</p>	<p>Perform Banding Reduction. For more details, see the CW-C8000 Series Technical Reference Guide.</p>

Printed Colors Are Wrong

Cause	Solution and Reference
<p>If the printer is moved after initial charging, the specified colors may not be output (colors may be mixed) due to vibrations and impacts.</p>	<p>Run Print Head Cleaning and check that colors are no longer mixed.</p> <p> "Cleaning the Print Head" on page 67</p>

Troubleshooting

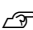
Blurred printing, Characters look doubled, Misalignment of print position

Cause	Solution and Reference
The edge guide is not set along the paper edge.	Check that the edge guide is properly set at the paper width position.  "Loading and Replacing Paper" on page 44
The ink droplets fired at incorrect positions in both the paper-feed and paper-width directions.	Perform Adjust Uneven Colors . For more details, see the CW-C8000 Series Technical Reference Guide.
The gap between the paper and the print head is not appropriate.	Adjust Head-Media Clearance Height . For more details, see the CW-C8000 Series Technical Reference Guide.

Paper is Smearred or Smudged with Ink

Cause	Solution and Reference
The paper may have rubbed against the print head due to insufficient suction on the platen.	Adjust Media Hold Pressure . For more details, see the CW-C8000 Series Technical Reference Guide.
The gap between the paper and the print head is not appropriate.	Adjust Head-Media Clearance Height . For more details, see the CW-C8000 Series Technical Reference Guide.

Paper is Fed and Ejected, and an Error Occurs

Cause	Solution and Reference
The paper being used differs from that of Media detection settings.	Check the paper being used and Media detection settings of the printer.  "Printer Driver Settings" on page 39

Paper is Loaded, but Not Fed into the Printer

Cause	Solution and Reference
The sensors are not positioned correctly.	Make sure that the adjustment knobs on the light-receiving and light-emitting sensors are in the same position, and perform Adjust media detection sensor . For more details, see the CW-C8000 Series Technical Reference Guide.

Printing from a Computer is Impossible or Becomes Suddenly Impossible

Checking Whether the Printer Driver Is Installed

Check whether or not the required software and applications are installed on the computer.

To print with this printer, a printer driver is required. Check whether or not the printer driver is installed by following the steps below.

1 Open **Printers & scanners** on your computer.

2 Check that the printer name is displayed.

If not, the printer driver is not installed.

3 Install the printer driver.

 [“Downloading the Latest Version” on page 4](#)


The Printer does Not Turn On

Check that the power cable is connected to the printer and outlet properly.

 [“Right Side \(Connectors\)” on page 21](#)

Print Job is Canceled on PC but “Printing” Message on Printer Does Not Disappear

If you cancel printing in printer queue on the computer, it may cause the print data to break up and “Printing...” may be kept displayed on the operation panel of the printer.

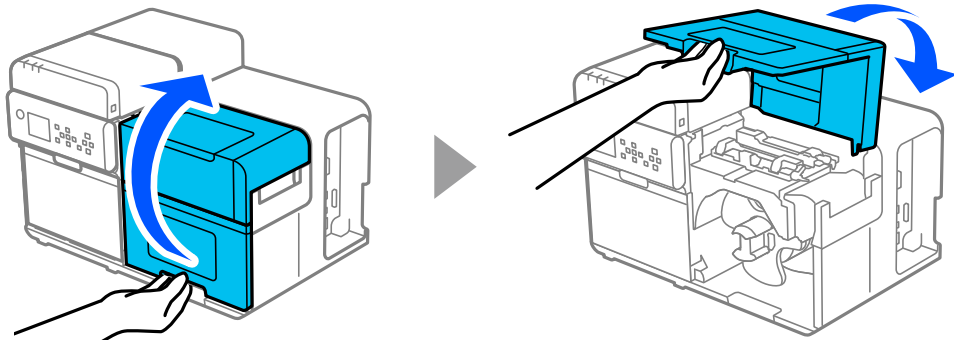
To cancel the status, press the  (cancel) button on the operation panel, and then select **All label formats**.

If the print job cannot be canceled after performing the above operations, restart the printer.

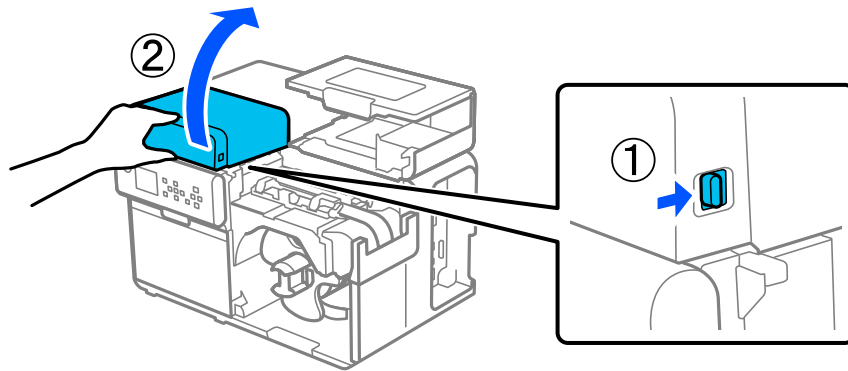
Troubleshooting


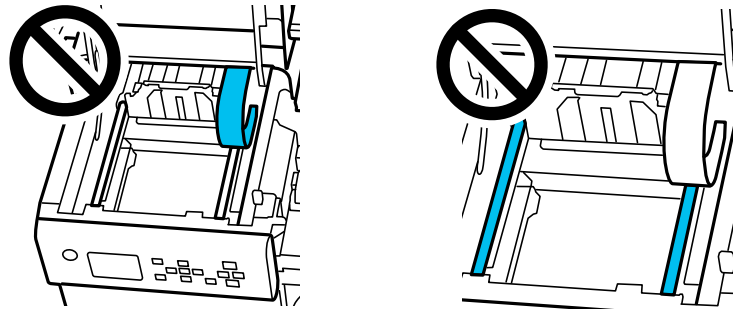
Roll Paper is Jammed

- 1 Open the paper cover.



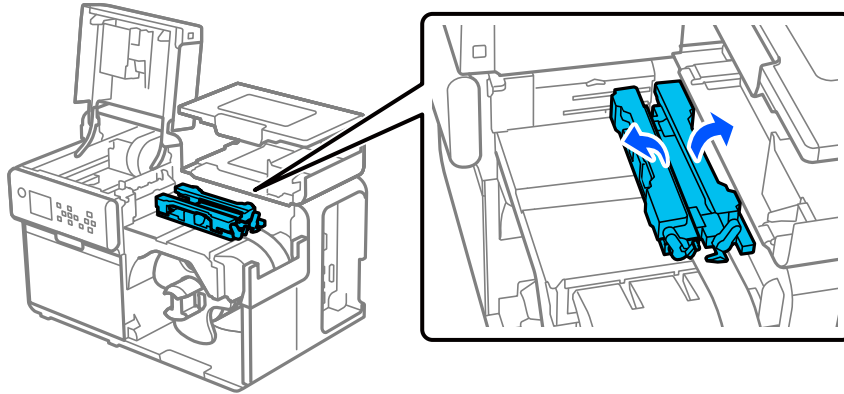
- 2 Push the lever backward and open the top cover.



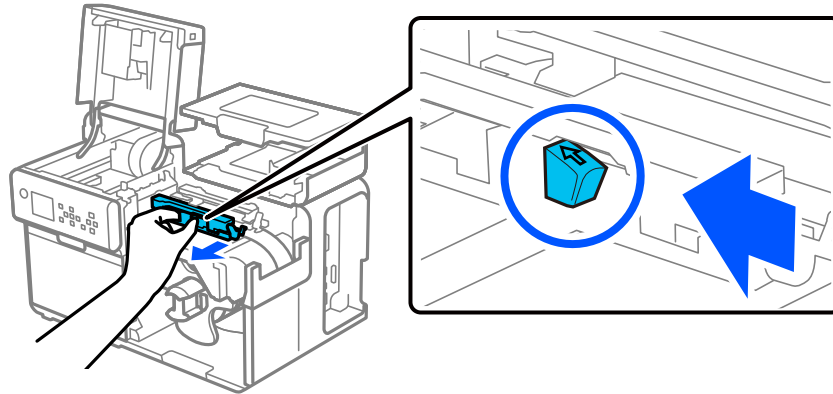
 <p>Caution</p>	<p>Do not touch the areas shown in the figure.</p> 
---	---

Troubleshooting


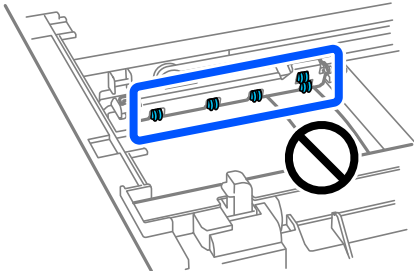
3 Raise the paper holds.

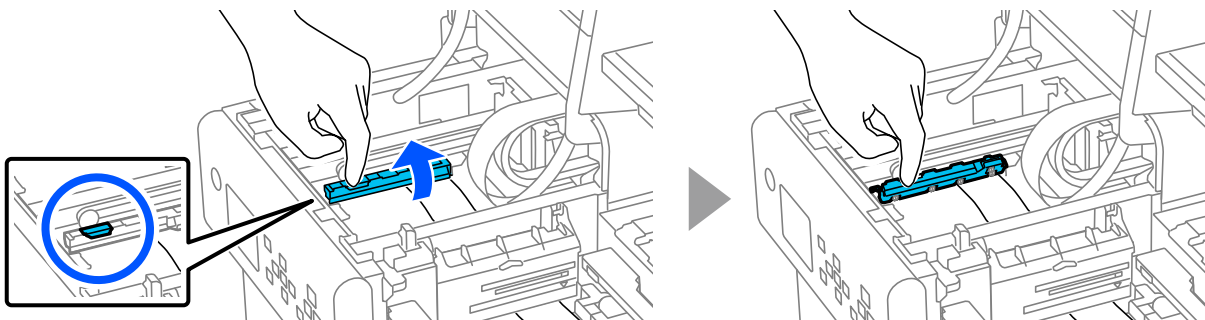


4 While pressing the blue lever, slide the movable edge guide toward you until it stops.



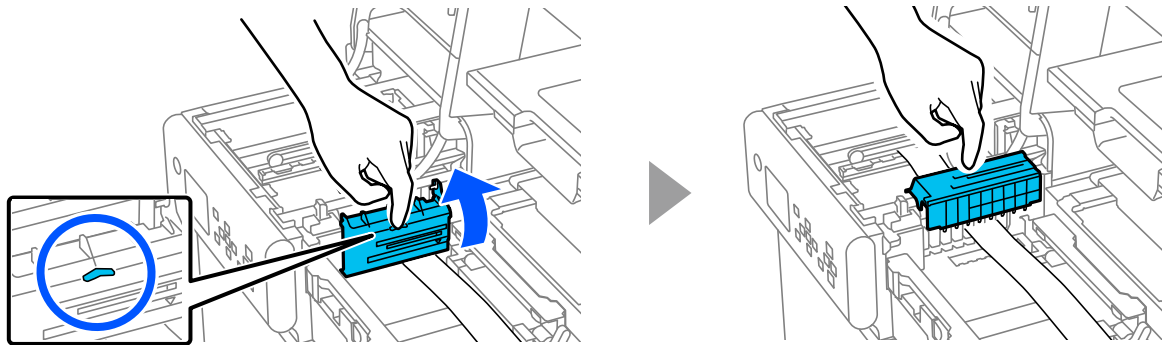
5 Raise the pressure unit with your finger placed on the tab (shown inside the circle below) and confirm that no labels is stuck to the pressure unit.

 <p>Caution</p>	<p>Please note that your hands may get dirty if you touch the areas indicated in the figure.</p> 
---	---

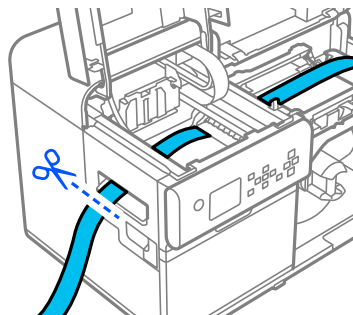


Troubleshooting

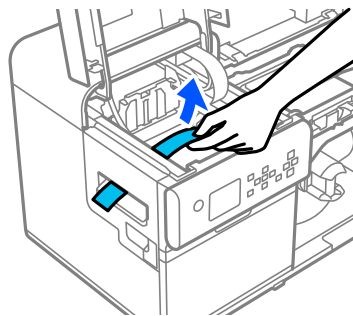
- 6** Raise the paper feed slot cover with your finger placed on the tab (shown inside the circle below) and confirm that no labels is stuck to the paper feed slot cover.



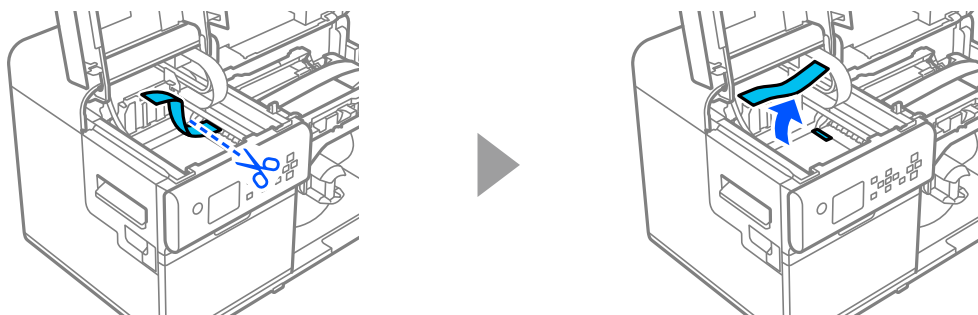
- 7** Manually cut the paper.



- 8** Retract the paper, being careful not to get ink on your hands.

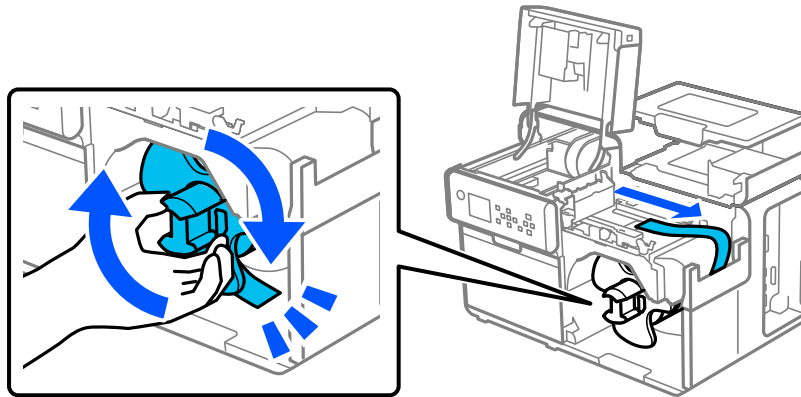


- 9** Manually cut the paper near the paper pressure rollers and remove it.

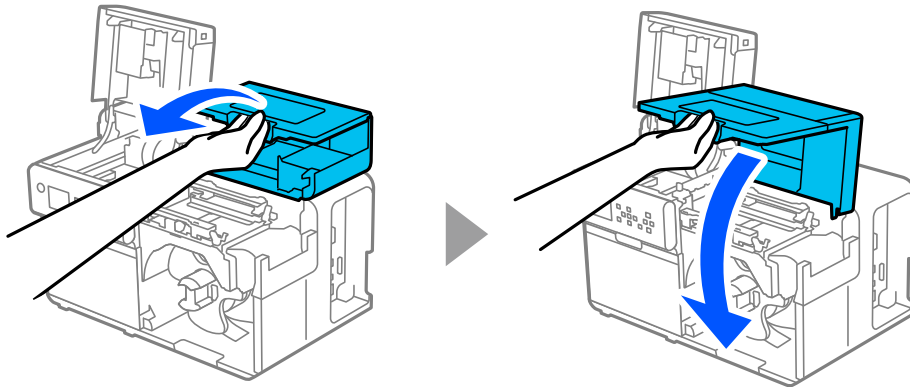


Troubleshooting

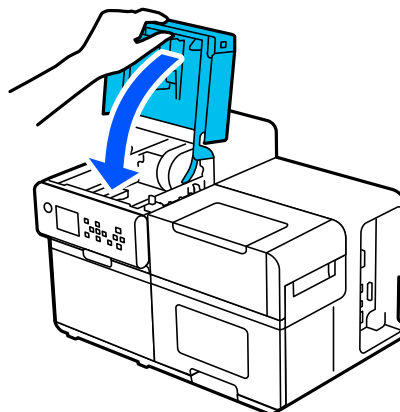
- 10** Wind up the paper by turning the roll paper flange clockwise until the leading edge of the paper passes through the paper insertion slot.



- 11** Close the paper cover.




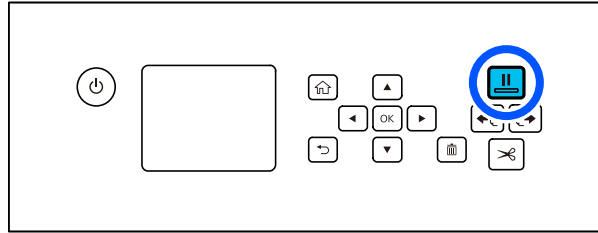
- 12** Close the top cover.





Troubleshooting

13

Press the  (Pause) button.



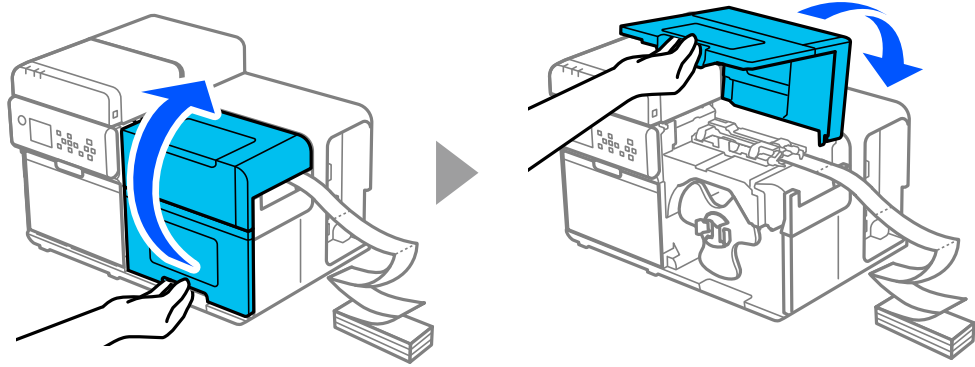
To load paper, see [“Loading Roll Paper” on page 45](#).

<p>Note</p>	<p>After removing jammed paper, make sure that there is no labels or adhesive left inside the printer. If you use the printer without removing them, it leads to frequent paper jams, or may cause poor print quality.</p> <p>If paper jam occurs frequently, clean the inside of the printer.</p> <ul style="list-style-type: none">  “Cleaning the Edge Guides” on page 60  “Cleaning the Paper Pressure Rollers” on page 62
--------------------	--

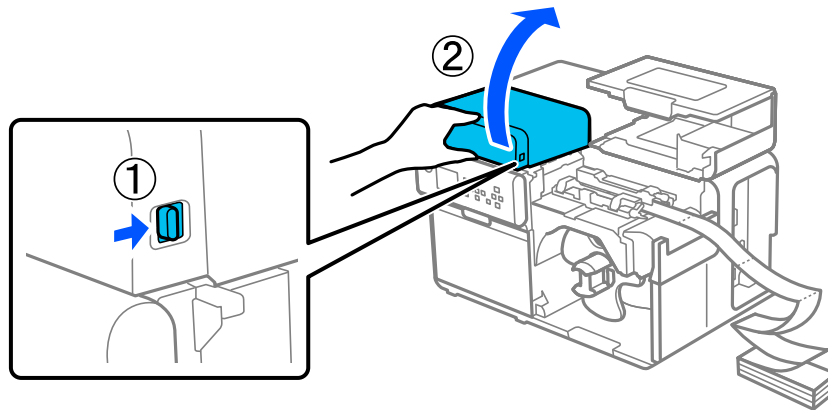
Troubleshooting

Fanfold Paper is Jammed

1 Open the paper cover.

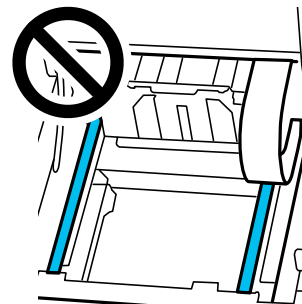
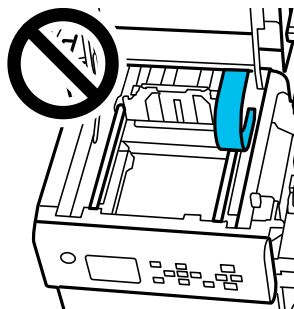


2 Push the lever backward and open the top cover.



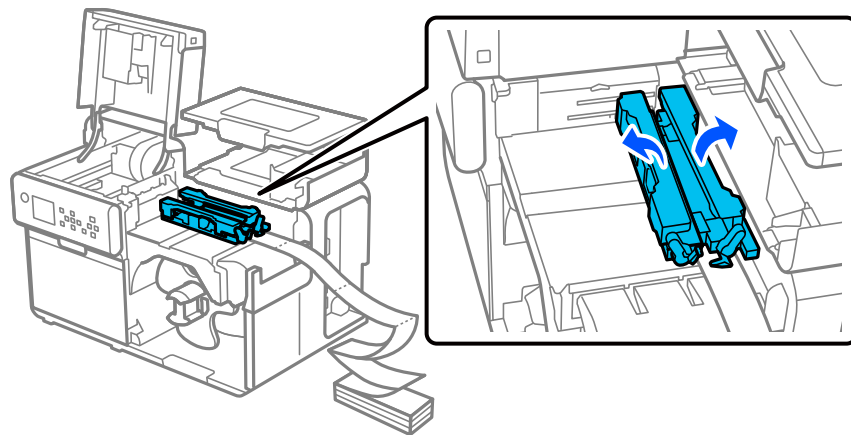
Do not touch the areas shown in the figure.

 **Caution**

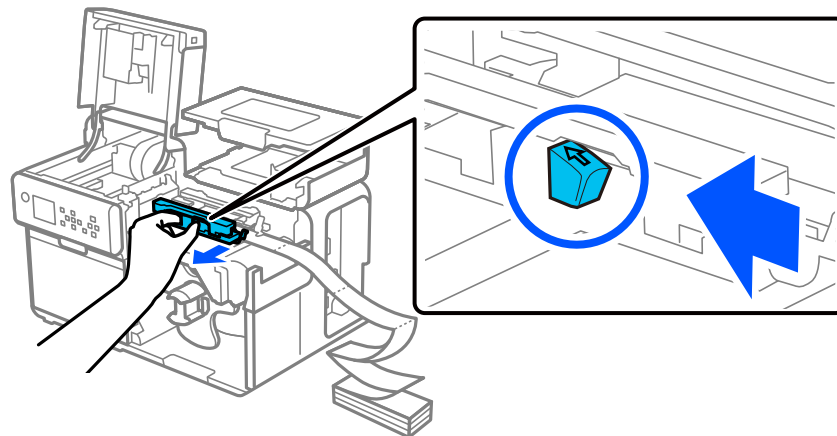


Troubleshooting


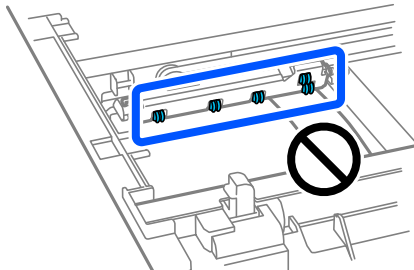
- 3 Raise the paper holds.



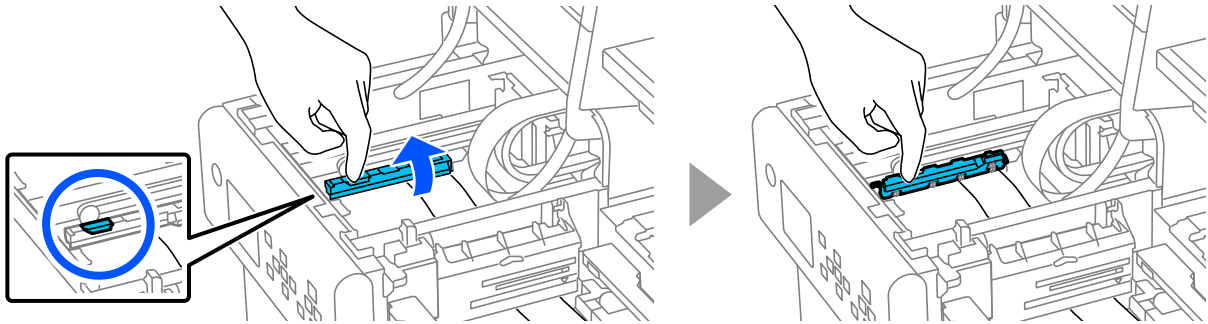
- 4 While pressing the blue lever, slide the movable edge guide toward you until it stops.



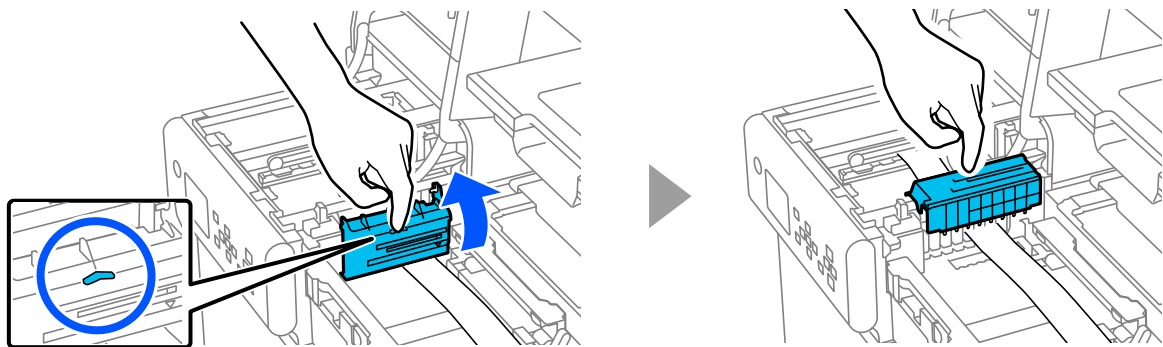
- 5 Raise the pressure unit with your finger placed on the tab (shown inside the circle below) and confirm that no labels is stuck to the pressure unit.

 <p>Caution</p>	<p>Please note that your hands may get dirty if you touch the areas indicated in the figure.</p> 
---	---

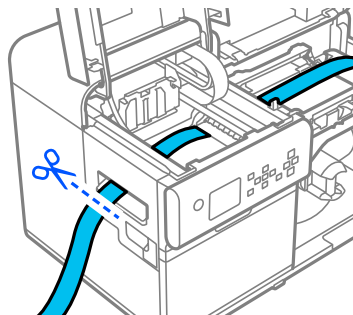
Troubleshooting



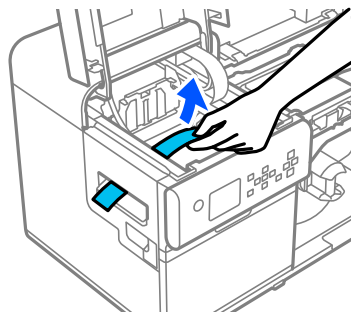
- 6** Raise the paper feed slot cover with your finger placed on the tab (shown inside the circle below) and confirm that no labels is stuck to the paper feed slot cover.



- 7** Manually cut the paper.

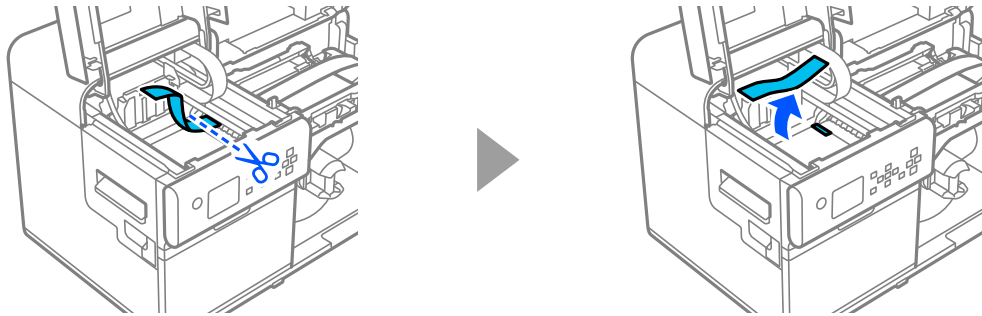


- 8** Retract the paper, being careful not to get ink on your hands.

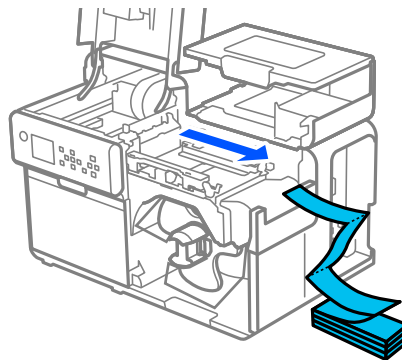


Troubleshooting

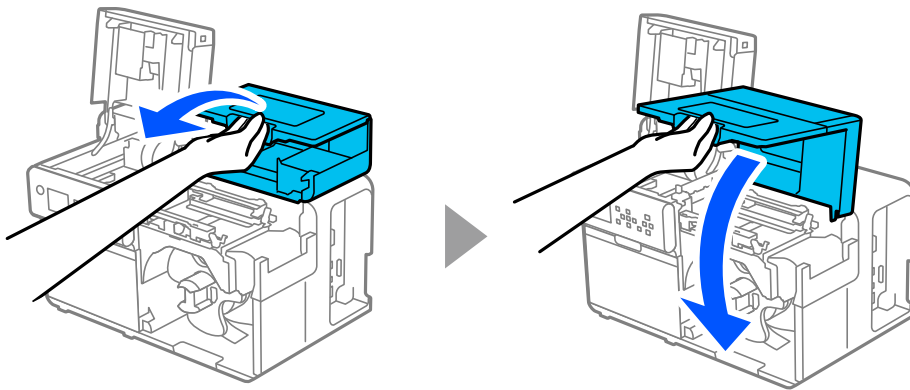
- 9** Manually cut the paper near the paper pressure rollers and remove it.



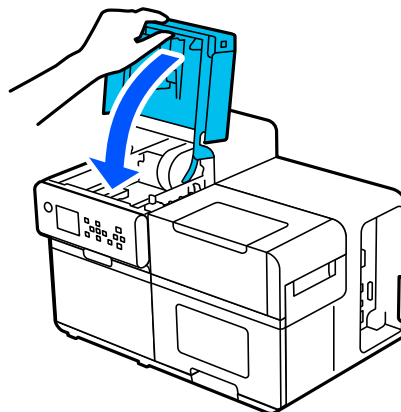
- 10** Pull out the paper through the paper feed slot.



- 11** Close the paper cover.




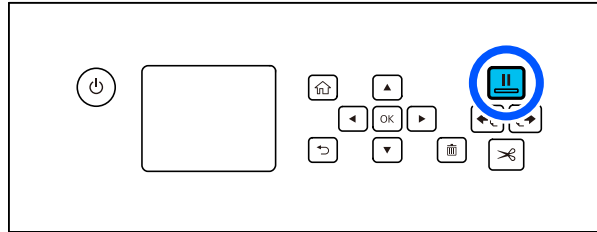
- 12** Close the top cover.



Troubleshooting

13

Press the  (Pause) button.



To load paper, see [“Loading Fanfold Paper” on page 50](#).

Note

After removing jammed paper, make sure that there is no labels or adhesive left inside the printer. If you use the printer without removing them, it leads to frequent paper jams, or may cause poor print quality.

If paper jam occurs frequently, clean the inside of the printer.

 [“Cleaning the Edge Guides” on page 60](#)

 [“Cleaning the Paper Pressure Rollers” on page 62](#)

Specifications

Specifications

This chapter describes the specifications of the printer.

Product Specifications

Item		Specifications
Printing method		Line inkjet, dot matrix method Four-color "CMY-K" printing
Paper feed method		Forward and reverse friction feed
Cutting type of the auto cutter		Full cut (cuts paper completely)
Print resolution		600 × 1200 dpi
Print speed		150 mm/s {5.91 in/s} 300 mm/s {11.81 in/s}
Interface	Wired LAN*1	1000BASE-T/100BASE-TX/10BASE-T
	Wireless LAN	Available by connecting the optional Wireless LAN Unit (OT-WL06) to the USB connector
	USB	SuperSpeed USB
Weight		Approx. 35 kg {77.16 lb}

*1: Use a category 5e or higher STP (shielded twisted pair) cable.

Electrical Specifications

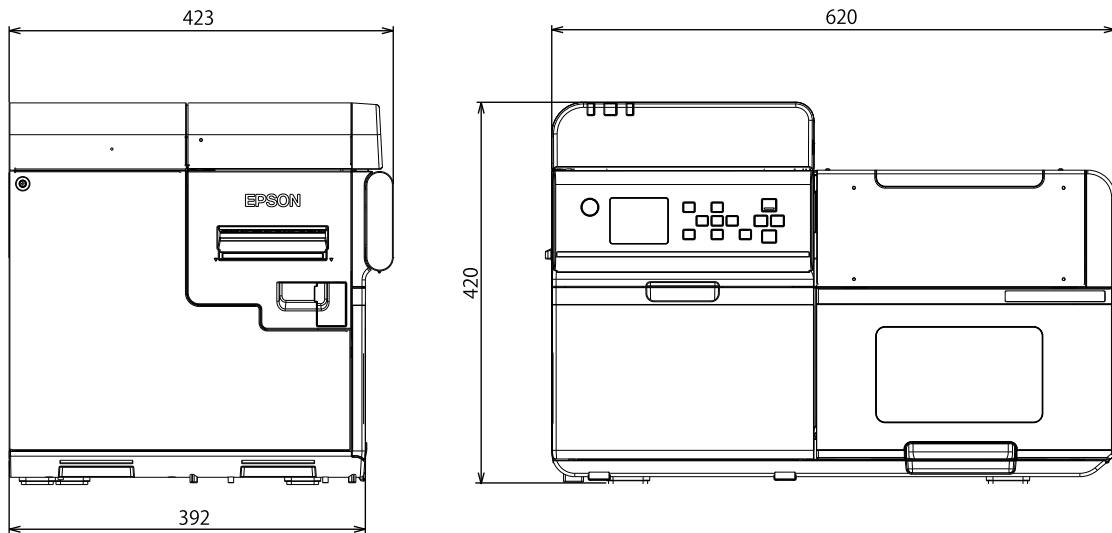
Item		Specifications
Power supply		Power supply through a power connector
Rated voltage		100 to 240 V
Rated current		1.4 A
Power consumption	Operating*	Approx. 83.0 W on average
	Standby	Approx. 3.32 W on average
	Power off	Approx. 0.41 W on average

*Based on Epson evaluation conditions

Specifications

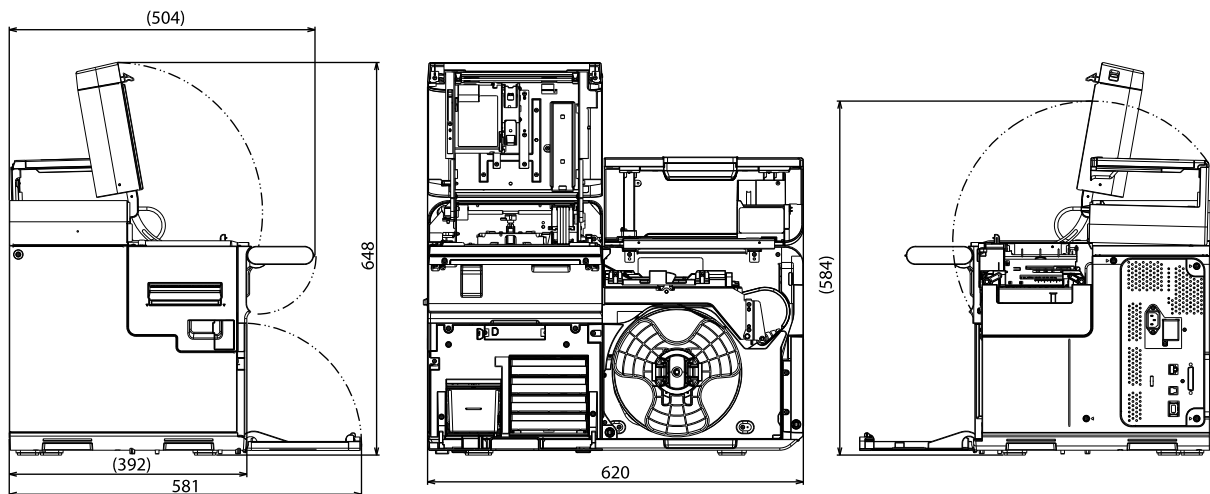
Overall Dimensions

Item	Specifications
Height	420 mm {16.54 in.}
Width	620 mm {24.41 in.}
Depth	392 mm {15.43 in.}



Unit: mm

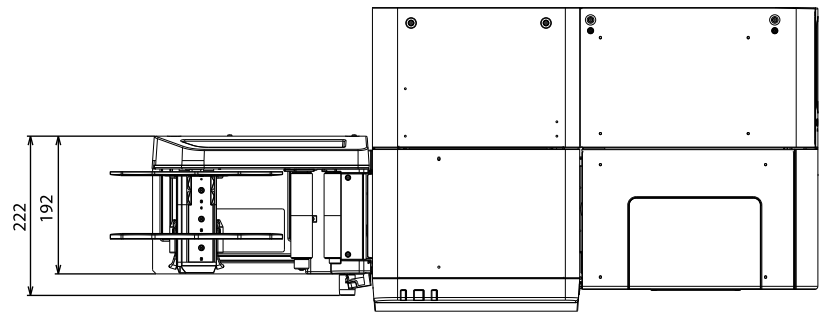
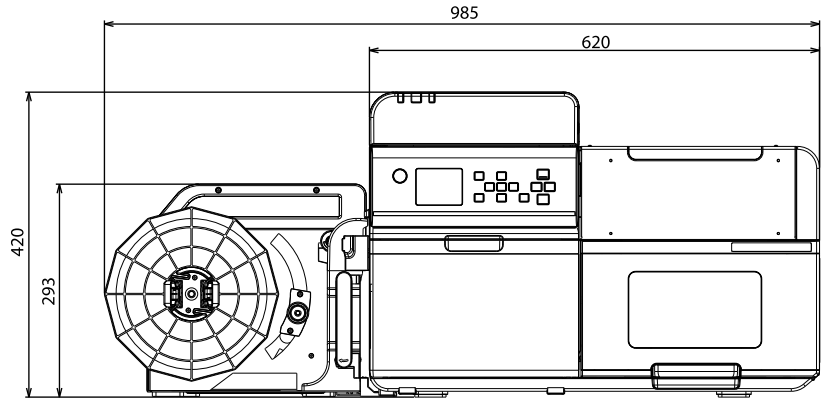
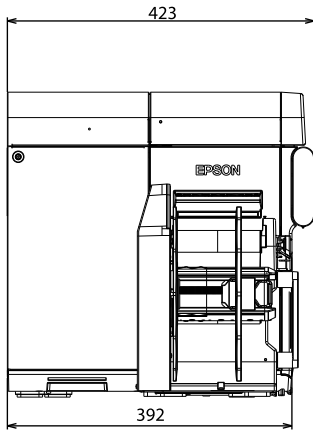
Dimensions with All Covers Open



Unit: mm

Specifications

Dimensions with Rewinder Connected



Unit: mm

Specifications

Environmental Specifications

Item		Specifications	
Temperature/ humidity	Printing	5 to 35°C, 20 to 80%RH without condensation (the blue-colored range in the graph)	
	Barcode printing	15 to 35°C, 20 to 85% RH without condensation	
	Storage	When packed (Ink not charged)	-20 to 60°C, 5 to 85% RH without condensation (When -20°C or 60°C, within 120 hours)
	With ink charged	Gloss black ink	-15 to 40°C (Within 6 months at 0 to 25°C) (Within 1 month at 40°C)
		Matte black ink	-10 to 40°C (Within 6 months at 0 to 25°C) (Within 1 month at 40°C)
Elevation		0 to 3000 m	
Noise	Printer alone	Approx. 57 dB Based on Epson evaluation conditions.	
	With the rewinder connected	Approx. 60 dB Based on Epson evaluation conditions.	

Specifications

Paper Specifications

The following types of paper can be used with the printer.

For more details, see the CW-C8000 Series Technical Reference Guide.

Paper Type	When using Matte Ink	When using Gloss Ink
Plain paper	✓	-
Matte paper	✓	✓
Texture Paper	✓	-
Synthetic	✓	✓
Glossy paper	-	✓
Glossy Film	-	✓
High Glossy Paper	-	✓

Specifications

Ink Packs

Item		Specifications
Model number	CW-C8000u	SJIC47P-BK SJIC47P-MK SJIC47P-C SJIC47P-M SJIC47P-Y
	CW-C8000e CW-C8010	SJIC48P-BK SJIC48P-MK SJIC48P-C SJIC48P-M SJIC48P-Y
	CW-C8030	SJIC51P-BK SJIC51P-MK SJIC51P-C SJIC51P-M SJIC51P-Y
	CW-C8040 CW-C8050	SJIC52P-BK SJIC52P-MK SJIC52P-C SJIC52P-M SJIC52P-Y
Type		4 individual color packs
Ink colors		Black (gloss black (BK), matte black (MK)), cyan (C), magenta (M), yellow (Y)
Ink type		Water-based pigmented ink
Expiration date		1 year after installation in the printer, 3 years from the date of manufacture including the period of use
Storage temperature	Transporting (without unpacking)	-20 to 60°C (Within 4 days at -20°C, Within 1 month at 40°C, Within 3 days at 60°C)
	Storage (without unpacking)	-20 to 40°C (Within 4 days at -20°C, Within 1 month at 40°C)
	Installed	-20 to 40°C (Within 4 days at -20°C, Within 1 month at 40°C)


Caution

The ink in the ink pack may freeze if left in an environment below -20°C (-4°F).

Specifications

Maintenance Box

Item		Specifications
Model number		SJMB7500
Type		Maintenance box with integrated waste ink absorbing material
Storage temperature	Transporting (without unpacking)	-20 to 60°C (Within 5 days at 60°C)
	Storage (without unpacking)	-20 to 40°C (Within 1 month at 40°C)
	Installed	-20 to 40°C (Within 1 month at 40°C)

Rewinder (TU-RC8000)

The rewinder is a device used to rewind printed paper into a roll.

Item		Specifications
Overall Dimensions	Height	293 mm {11.54 in.}
	Width	403 mm {15.87 in.}
	Depth	222 mm {8.740 in.}
Weight		4.25 kg {9.37 lb}

Appendix

Consumables and Options

Consumables and options for this product are available. They can be purchased from sales representatives.

Visit the URL below for more details.

<https://epson.sn>

Ink Packs

There are four colors of ink packs. Black ink can be selected from gloss black and matte black.

For the ink packs that can be used with this product, refer to “[Ink Packs](#)” on page 93.

Genuine Ink Packs Recommended

- ❑ For the best performance of the printer, it is recommended to use genuine Epson ink packs. Use of non-genuine Epson products can adversely affect the printer and print quality and prevent the printer from realizing its maximum performance. Epson cannot guarantee the quality and reliability of non-genuine Epson products. Repairs for any damage or breakdown of this product due to the use of non-genuine Epson products will not be free of charge even if the warranty period is still valid.
- ❑ Color adjustment of the product is based on the use of genuine Epson ink packs. Use of non-genuine ink packs may result in reduced print quality. Epson recommends the use of genuine Epson ink packs.

Disposal of Ink Packs

Dispose of the ink packs properly following the law or regulations of your country and area.

Appendix

Maintenance Box

The maintenance box is a box used to collect waste ink. The maintenance box available for this product is:

Model number: SJMB7500

Genuine Maintenance Box Recommended

For the best performance of the printer, it is recommended to use a genuine Epson maintenance box. Use of a non-genuine Epson maintenance box can adversely affect the printer and prevent the printer from realizing its maximum performance. Repairs for any damage or breakdown of this product due to the use of non-genuine Epson products will not be free of charge even if the warranty period is still valid. Epson cannot guarantee the quality and reliability of non-genuine Epson products.

Disposal of Maintenance Box

Dispose of the maintenance box properly following the law or regulations of your country and area.

Appendix

Rewinder



Caution

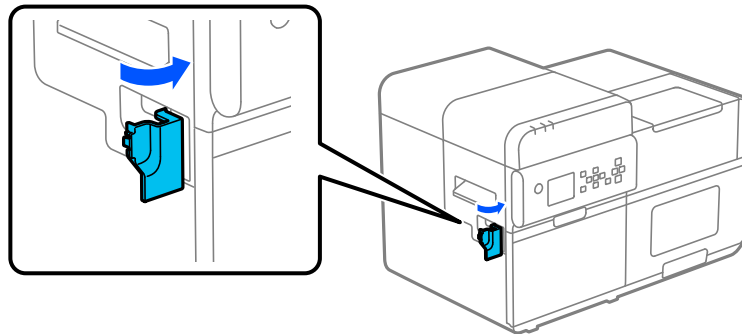
Be careful not to get hands, hair, etc. caught in the operating parts while the rewinder is in operation.

Installing the Rewinder

Follow the steps below to install the rewinder.

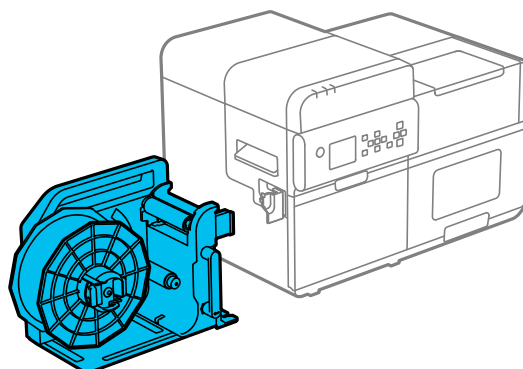
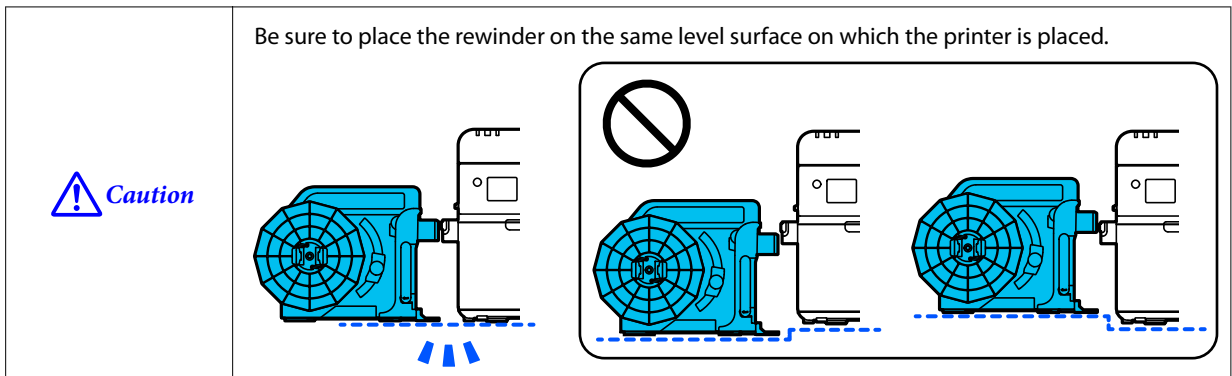
1

Open the rewinder connection cover on the left side of the printer.



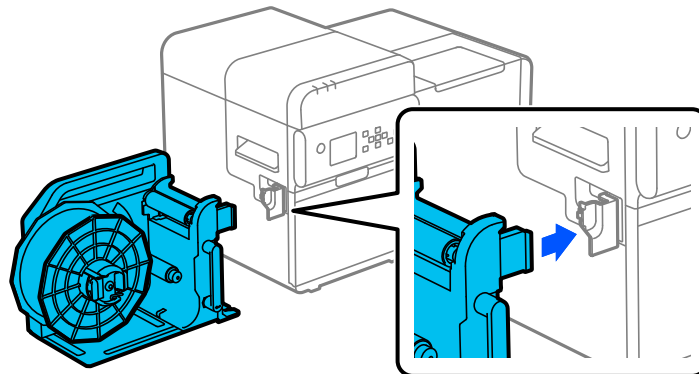
2

Place the rewinder on the left side of the printer.



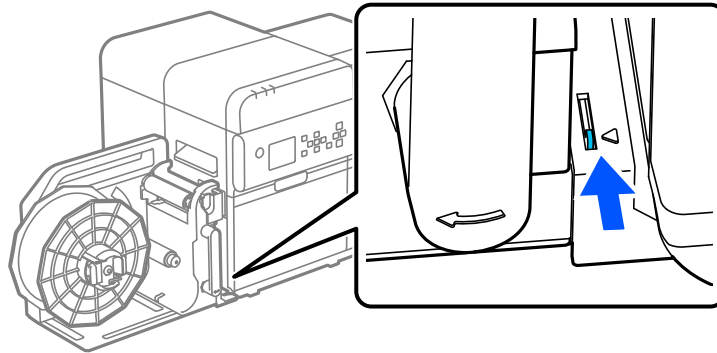
Appendix

- 3 Insert the coupling gear of the rewinder into the rewinder connection opening of the printer. Insert the gear straight against the opening.



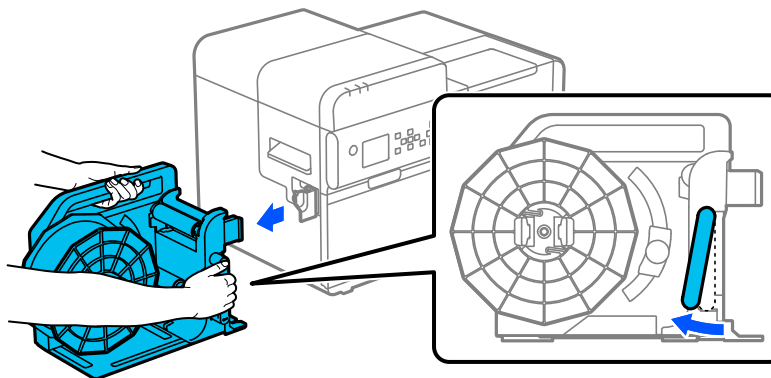
Note

Check that the edge of the plate is aligned with the ◁ mark at the bottom of the rewinder.



Removing the Rewinder

Move the rewinder lever in the direction of the arrow and remove the rewinder.

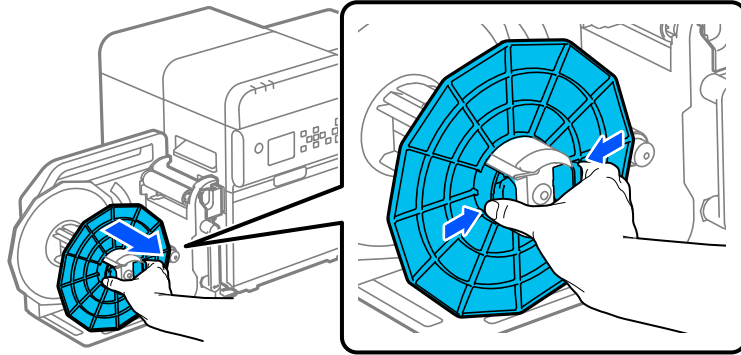


Appendix

Attaching Paper to the Rewinder

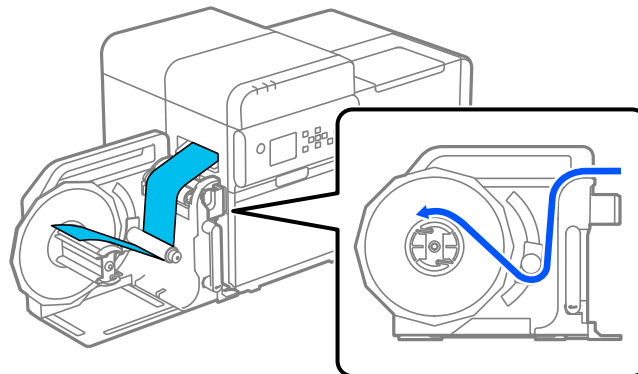
Follow the steps below to attach paper to the rewinder.

- 1 While squeezing the tabs of the rewinder flange, remove the flange from the rotating shaft.



- 2 Press the ← [feed] button until about 800 mm {31.50 in.} of paper comes out of the printer.

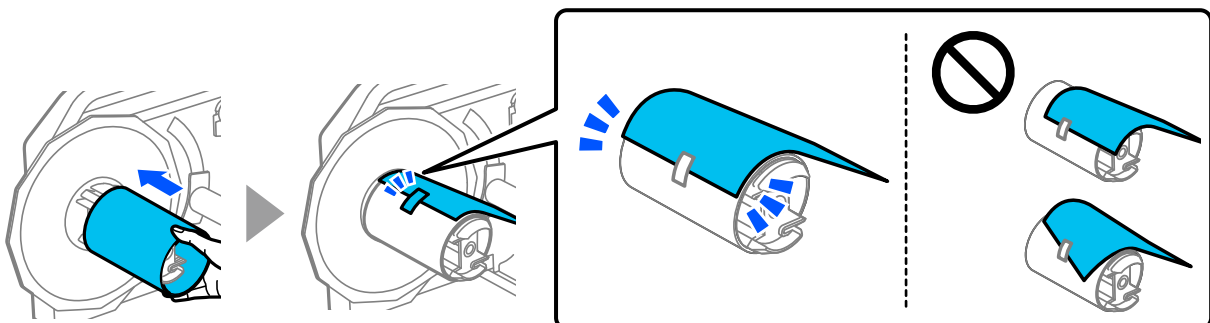
- 3 Pass the paper through the rewinder as shown in the figure below.



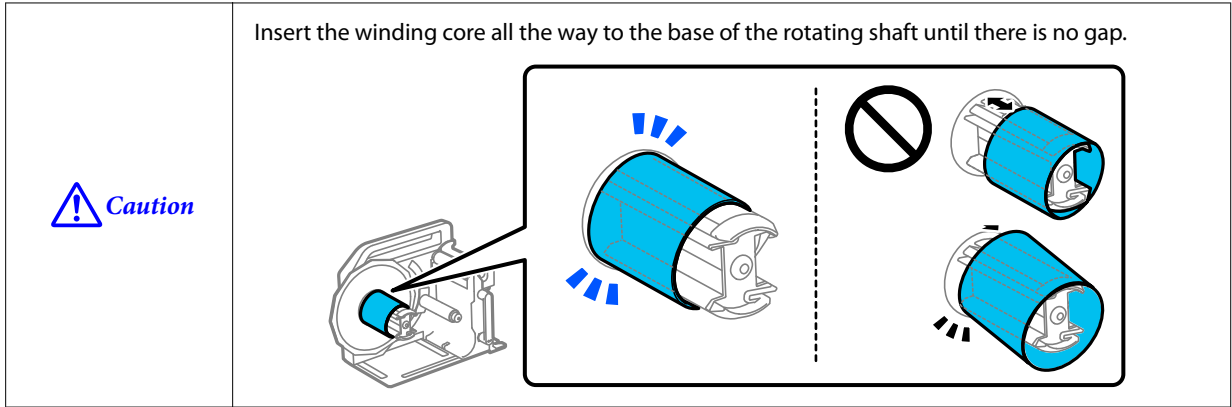
Note	Depending on the thickness and stiffness of the paper, the rewinder may not wind the paper correctly.
-------------	---

- 4 Fix the leading edge of the paper to the winding core or insert it into the gap in the rotating shaft.

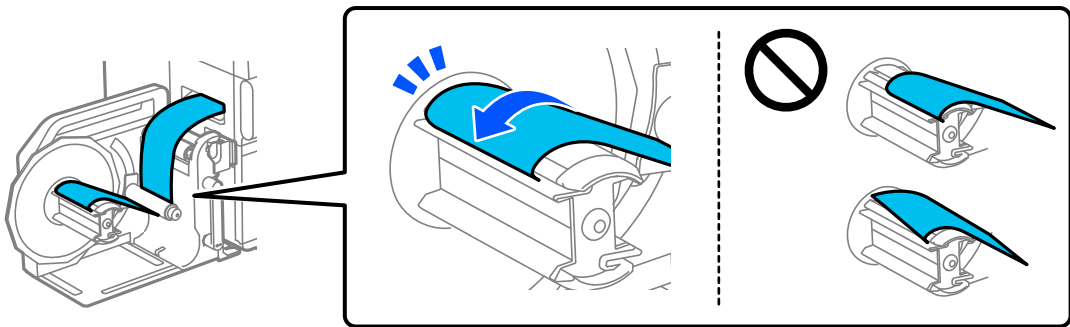
- ❑ When using the winding core
Align the side edge of the paper with that of the core, and secure the leading edge of the paper to the core with tape. Then, rotate the rewinder flange about 2 times to take up the slack in paper.



Appendix

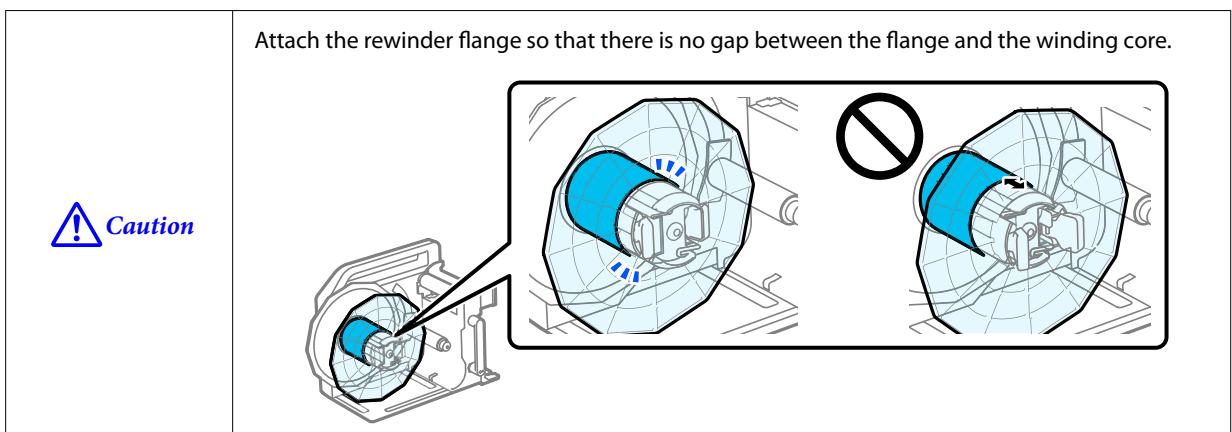
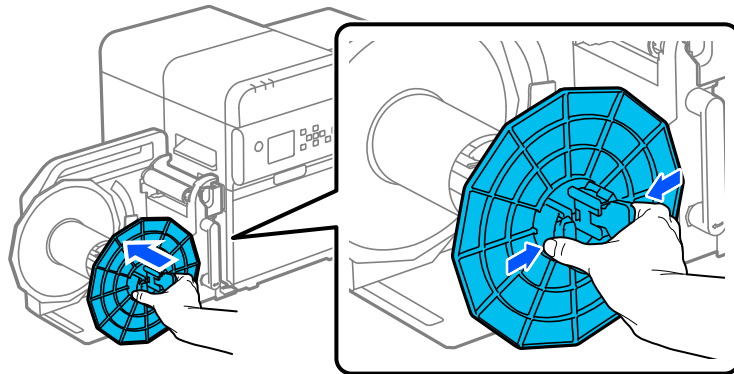


- When not using the winding core
Insert the leading edge of the paper into the gap in the rotating shaft. Then, rotate the rotating shaft about 2 times to take up the slack in paper.



5

While squeezing the tabs of the rewinder flange, attach the flange to the rotating shaft.



Appendix

Note	<ul style="list-style-type: none"><li data-bbox="475 241 1444 302">❑ If you forget to attach the rewinder flange, the roll paper may meander and may not be able to be wound properly. Be sure to always attach the rewinder flange.<li data-bbox="475 315 1444 398">❑ Paper wound up by the rewinder may be wound looser than the original roll. When installing the roll in a post-processing machine, it is recommended to tighten the roll before installation.
-------------	--

Appendix

Restriction of Use

When this product is used for applications requiring high reliability/safety such as transportation devices related to aviation, rail, marine, automotive etc.; disaster prevention devices; various safety devices etc.; or functional/precision devices etc., you should use this product only after giving consideration to including fail-safes and redundancies into your design to maintain safety and total system reliability. This product is not intended for use in applications requiring an extremely high level of reliability and safety, such as in aerospace instruments, main communication equipment, nuclear power control equipment, or medical equipment, etc. Please make your own judgment on this product's suitability after a full evaluation.

Appendix

Notes

- (1) All rights reserved. No part of this publication may be reproduced, stored in a retrieval system, or transmitted in any form or by any means, electronic, mechanical, photocopying, recording, or otherwise, without the prior written permission of Seiko Epson Corporation.
- (2) The content of this manual is subject to change without notice.
- (3) While every precaution has been taken in the preparation of this manual, Seiko Epson Corporation assumes no responsibility for errors or omissions.
- (4) Neither is any liability assumed for damages resulting from the use of the information contained herein.
- (5) Neither Seiko Epson Corporation nor its affiliates shall be liable to the purchaser of this product or third parties for damages, losses, costs, or expenses incurred by purchaser or third parties as a result of: accident, misuse, or abuse of this product or unauthorized modifications, repairs, or alterations to this product, or (excluding the U.S.) failure to strictly comply with Seiko Epson Corporation's operating and maintenance instructions.
- (6) Seiko Epson Corporation shall not be liable for any damages or problems arising from the use of any options or any consumable products other than those designated as Genuine Epson Products or Epson Approved Products by Seiko Epson Corporation.

Trademarks

Microsoft, Windows are trademarks of the Microsoft group of companies.

QR Code is a registered trademark of DENSO WAVE INCORPORATED in Japan and other countries.

YouTube is a trademark of Google LLC.

All other trademarks are the property of their respective owners and used for identification purpose only.

©Seiko Epson Corporation 2024