



**IPSi**

**INTEGRATED  
PRODUCTIVITY  
SYSTEMS**



(844) 477-4911 | [www.ipsiscan.com](http://www.ipsiscan.com)

# MH261T Series

■ Thermal Transfer ■ Direct Thermal  
Industrial Barcode Printers



Series Lists:  
MH261T / MH361T

# User Manual

# Copyright Information

**©2021 TSC Auto ID Technology Co., Ltd.**

The copyright in this manual, the software and firmware in the printer described are owned by TSC Auto ID Technology Co., Ltd. All rights reserved.

CG Triumvirate is a trademark of Agfa Corporation. CG Triumvirate Bold Condensed font is under license from the Monotype Corporation. Windows is a registered trademark of Microsoft Corporation.

All other trademarks are the property of their respective owners. Information in this document is subject to change without notice and does not represent a commitment on the part of TSC Auto ID Technology Co. No part of this manual may be reproduced or transmitted in any form or by any means, for any purpose other than the purchaser's personal use, without the expressed written permission of TSC Auto ID Technology Co.



# Table of Contents

1. Introduction .....	1
1.1 Product Specification .....	2
2. Operation Overview .....	4
2.1 Unpacking and Inspection .....	4
2.2.1 Front View .....	5
2.2.2 Interior View .....	6
2.2.3 Rear View .....	7
2.3 Operator Control .....	8
2.3.1 LED Indication and Keypads .....	8
2.3.2 Touch Screen Manipulation .....	11
3. Setup .....	12
3.1 Setting up the printer .....	12
3.2 Loading the Ribbon .....	13
3.3 Loading the Media .....	14
3.4 Loading the Fanfold/External Media .....	16
3.5 Loading Media in Peel-off Mode (Option) .....	16
4. Adjustment Knob .....	18
4.1 Mechanism Fine Adjustment to Avoid Ribbon Wrinkles .....	18
5. TSC Console .....	20

5.1 Start TSC Console .....	20
5.2 Setup Ethernet Interface .....	22
5.3 Set Wi-Fi and Add to TSC Console Interface .....	24
5.4 Initialize the Printer Wi-Fi Setting .....	27
5.5 Printer Function .....	28
5.6 Setting Post-Print Action .....	29
6. LCD Menu Function.....	30
6.1 Enter the Menu .....	30
6.2 Menu Overview .....	31
6.3 Setting .....	32
6.3.1 TSPL .....	33
6.3.2 ZPL2 .....	35
6.4 Sensor .....	38
6.5 Interface.....	39
6.5.1 Serial Comm.....	40
6.5.2 Ethernet.....	41
6.5.3 Wi-Fi.....	42
6.5.4 Bluetooth .....	43
6.6 Advanced .....	44
6.7 File Manager.....	46
6.8 Diagnostic.....	47



6.9 Favorites .....	48
7. Troubleshooting.....	49
8. Maintenance.....	52
9. Agency Compliance and Approvals .....	54
10. Revision History .....	62

# 1. Introduction

Thank you very much for purchasing TSC bar code printer.

The new high-performance MH261T Series was designed to deliver the cleanest and high quality barcodes. It features a die-cast print mechanism housed in a very strong yet lightweight cabinet. This new design results in a more durable printer that is suited for your most heavy-duty demand cycles.

The MH261T Series printers are loaded with standard features including a color touch display with brand-new GUI design and six menu buttons to provide a great user experience, support for 600 meter long ribbons, 8" OD media rolls, built-in Ethernet, RS-232 interface, two USB hosts for keyboard and scanner connections, USB 2.0, serial and Parallel interfaces. GPIO ports, Wi-Fi and Bluetooth modules are available as an option.

This document provides an easy reference for operating the MH261T series. To print label formats, please refer to the instructions provided with your labeling software; if you need to write the custom programs, please refer to the TSPL/TSPL2 programming manual that can be found on TSC website at <https://www.tscprinters.com>.

# 1.1 Product Specification

	MH261T	MH361T
<b>Resolution</b>	203 DPI 8 dots/mm	300 DPI 12 dots/mm
<b>Printing method</b>	Thermal transfer and direct thermal	
<b>Max. print speed</b>	305 mm (12")/second	254 mm (10")/second
<b>Max. print width</b>	168 mm(6.61")	
<b>Max. print length</b>	14,732 mm (580")	6,604 mm (260")
<b>Enclosure</b>	Die-cast print mechanism with large clear media view window	
<b>Physical dimension</b>	357 mm (W) x 313 mm (H) x 514 mm (D) 14.05" (W) x 12.32 (H) x 20.24" (D)	
<b>Weight</b>	17.8 kg (39.24 lbs)	
<b>Label roll capacity</b>	208.3 mm (8.2") O.D.	
<b>Internal rewinder (full roll)</b>	Internal rewinder kit (5" O.D.) (dealer option)	
<b>Ribbon capacity</b>	450 meter long, max. OD 81 mm, 1" core (Ink coated outside or inside)	
<b>Ribbon width</b>	50.8 mm ~ 178 mm (2"~7")	
<b>Processor</b>	32-bit RISC CPU	
<b>Memory</b>	<ul style="list-style-type: none"> <li>• 512MB Flash memory</li> <li>• 256MB SDRAM</li> <li>• microSD Flash memory card reader for Flash memory expansion, up to 32 GB</li> </ul>	
<b>Interface</b>	<ul style="list-style-type: none"> <li>• RS-232</li> <li>• Parallel</li> <li>• USB 2.0 (High speed mode)</li> <li>• Internal Ethernet, 10/100 Mbps</li> <li>• USB host *2 (Front side), for scanner or PC keyboard</li> <li>• GPIO (DB15F) (dealer option)</li> <li>• Slot-in 802.11 a/b/g/n/ac Wi-Fi with Bluetooth 4.2 combo module (dealer option)</li> </ul>	
<b>Power</b>	Auto sensing power supply <ul style="list-style-type: none"> <li>• Input: AC 100-240V, 4-2A, 50-60Hz</li> <li>• Total 243W</li> </ul>	
<b>LCD display/ Operation buttons</b>	<ul style="list-style-type: none"> <li>• Multi-language selectable</li> <li>• 6 operation buttons (menu, select, up, down, left/pause, right/feed)</li> <li>• 1 LED (with 2 LEDs Green &amp; Red)</li> </ul>	
<b>LCD</b>	<ul style="list-style-type: none"> <li>• 4.3" color display , 480 x 272 pixel; Resistive touch screen</li> </ul>	

<b>Sensors</b>	<ul style="list-style-type: none"> <li>• Gap transmissive sensor (Position adjustable)</li> <li>• Black mark reflective sensor (Bottom black mark sensor, Position adjustable)</li> <li>• Ribbon end sensor</li> <li>• Ribbon encoder sensor</li> <li>• Head open sensor</li> </ul>
<b>Real time clock</b>	Standard
<b>Internal font</b>	<ul style="list-style-type: none"> <li>• 8 alpha-numeric bitmap fonts</li> <li>• Monotype Imaging® CG Triumvirate Bold Condensed scalable font</li> </ul>
<b>Bar code</b>	<p>1D bar code: Code 39, Code 93, Code128UCC, Code128 subsets A.B.C, Codabar, Interleave 2 of 5, EAN-8, EAN-13, EAN-128, UPC-A, UPC-E, EAN and UPC 2(5) digits add-on, MSI, PLESSEY, POSTNET, RSS-Stacked, GS1 DataBar, Code 11, China Post</p> <p>2D bar code: PDF-417, Maxicode, DataMatrix, QR code, Aztec</p>
<b>Font &amp; bar code rotation</b>	0, 90, 180, 270 degree
<b>Command set</b>	TSPL-EZD (Compatible to EPL, ZPL, ZPL II, DPL)
<b>Media type</b>	Continuous, die-cut, black mark (Bottom side black mark only), fan-fold, notch (outside wound)
<b>Media width</b>	50.8 ~ 172.7 mm (2" ~ 6.8")
<b>Media thickness</b>	0.06 ~ 0.268 mm (2.36~ 11.02 mil)
<b>Media core diameter</b>	3.81 mm / 76.2 mm (1.5" / 3")
<b>Label length</b>	10 ~ 14,732 mm (0.39" ~ 580")                      10 ~ 6,604 mm (0.39" ~ 260")
<b>Environment condition</b>	Operation: 0~ 40°C (32 ~ 104°F), 25~85% non-condensing Storage: -40 ~ 60 °C (-40 ~ 140°F), 10~90% non-condensing
<b>Safety regulation</b>	FCC Class A, CE Class A, RCM Class A, UL, cUL, TÜV, CCC, KC, BIS, BSMI, EAC, Argentina S mark, Mexico CoC, ENERGY STAR®
<b>Environmental concern</b>	Comply with RoHS, WEEE
<b>Dealer option</b>	<ul style="list-style-type: none"> <li>• GPIO Card (DB15F)</li> <li>• Heavy duty cutter (full cut)/ Regular guillotine cutter (Max.4ips)</li> <li>• 802.11 a/b/g/n/ac Wi-Fi with Bluetooth 4.2 combo module (including slot-in housing)</li> <li>• Peel-off kit</li> <li>• Internal rewinding kit (5" O.D.)</li> </ul>
<b>User option</b>	<ul style="list-style-type: none"> <li>• 802.11 a/b/g/n/ac Wi-Fi + BT combo module (for Wi-Fi ready with re-installed Wi-Fi slot-in housing)</li> <li>• KP-200 Plus keyboard display unit</li> </ul>



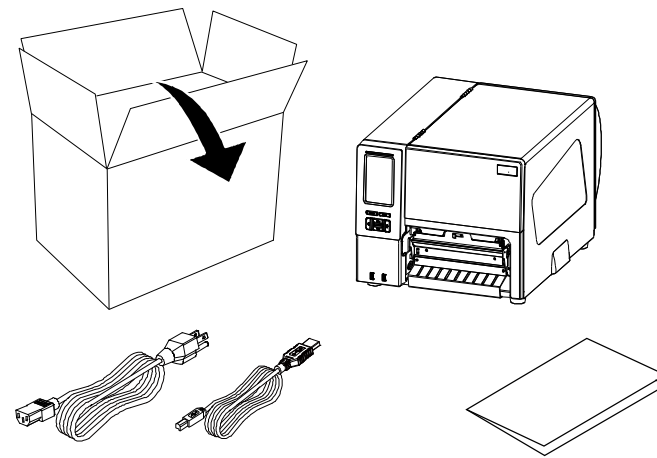
## 2. Operation Overview

### 2.1 Unpacking and Inspection

This printer has been specially packaged to withstand damage during shipping. Please carefully inspect the packaging and printer upon receiving the bar code printer. Please retain the packaging materials in case you need to reship the printer.

Unpacking the printer, the following items are included in the carton.

- 1 Printer unit
- 1 Quick installation guide
- 1 Power cord
- 1 USB interface cable



- If any parts are missing, please contact the Customer Service Department of your purchased reseller or distributor.

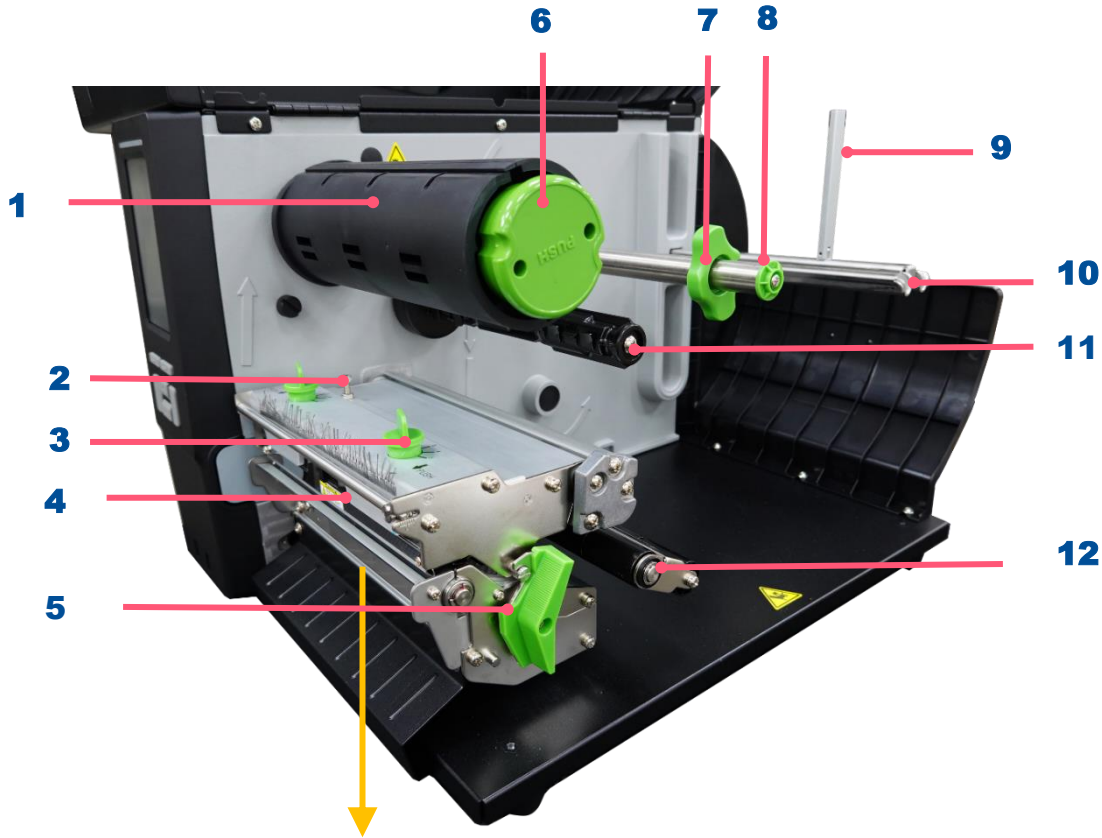
## 2.2 Printer Overview

### 2.2.1 Front View

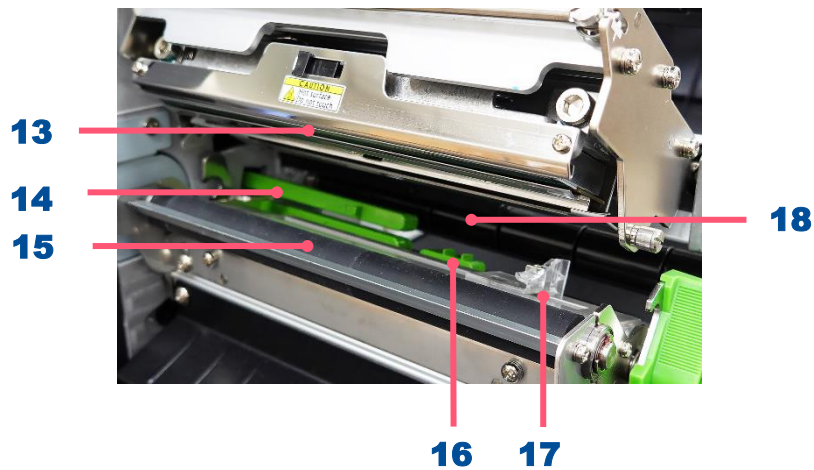


1. LED indicator
2. LCD display
3. Front panel buttons
4. USB host x 2
5. Media view window
6. Paper exit chute
7. Media cover

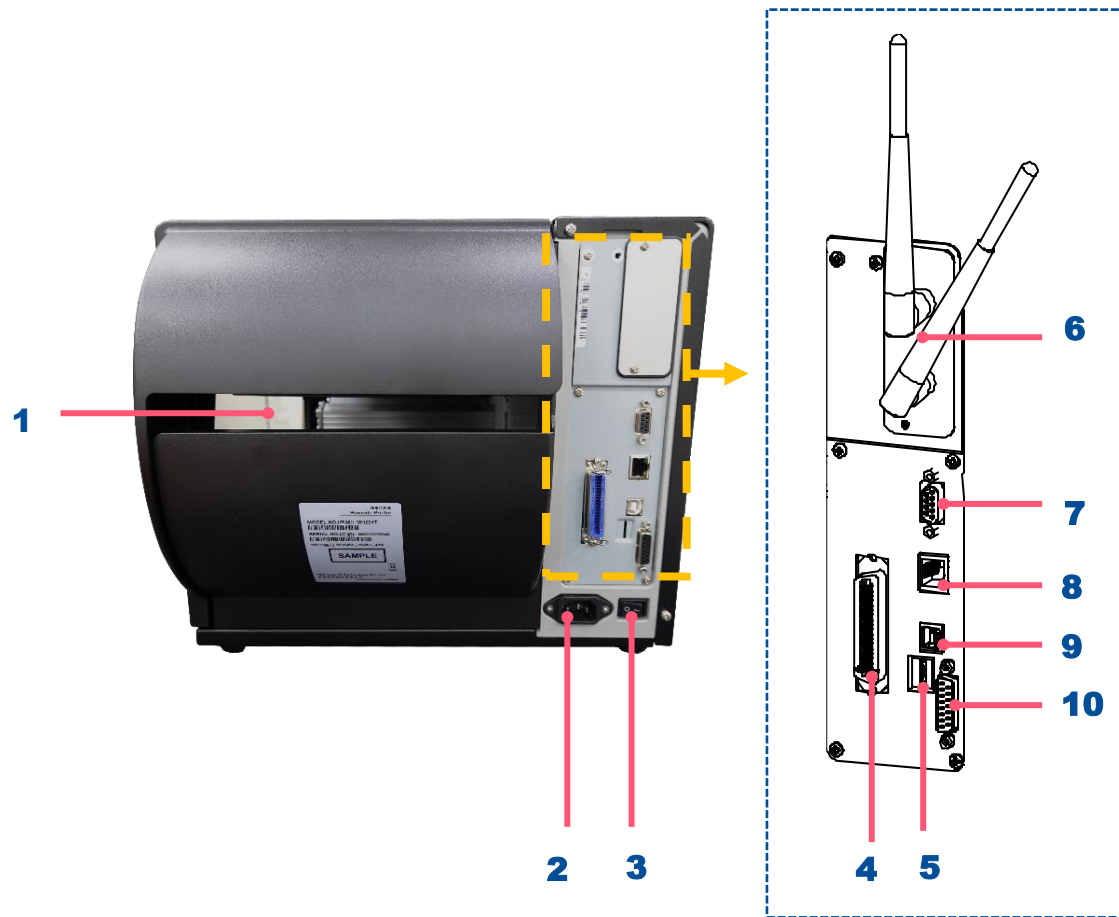
## 2.2.2 Interior View



- 1.** Ribbon rewind spindle
- 2.** Z axis mechanism adjustment knob
- 3.** Print head pressure adjustment knobs
- 4.** Ribbon guide bar
- 5.** Print head release lever
- 6.** Ribbon release button
- 7.** Rear label guide
- 8.** Media guide bar
- 9.** Rear label guide
- 10.** Label supply spindle
- 11.** Ribbon supply spindle
- 12.** Media damper
- 13.** Print head
- 14.** Gap sensor
- 15.** Platen roller.
- 16.** Black mark sensor
- 17.** Front label guide
- 18.** Ribbon sensor



## 2.2.3 Rear View



1. External label entrance chute
2. Power cord socket
3. Power switch
4. Centronics interface
5. SD card socket
6. Slot-in Wi-Fi module (Option)
7. RS-232C interface
8. Ethernet interface
9. USB interface
10. GPIO interface (Option)




**Note:**  
The interface picture here is for reference only. Please refer to the product specification for the interfaces availability.

# 2.3 Operator Control


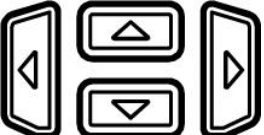


## 2.3.1 LED Indication and Keypads

### LED color indication:














Color	Meaning
 (Green)	<b>Solid:</b> Power is on and ready to be used. <b>Flash :</b> System is downloading data or printer is paused.
 (Amber)	System is clearing data.
 (Red)	<b>Solid</b> - Printer head open, cutter error. <b>Flash</b> - Printing error, such as paper empty, paper jam, ribbon empty, or memory error etc.

### Keypads:

Keypads form	Item name	Function
	Select keys	Feed, Pause, Confirm, Cancel.
	Navigational keys	Select / Navigate.

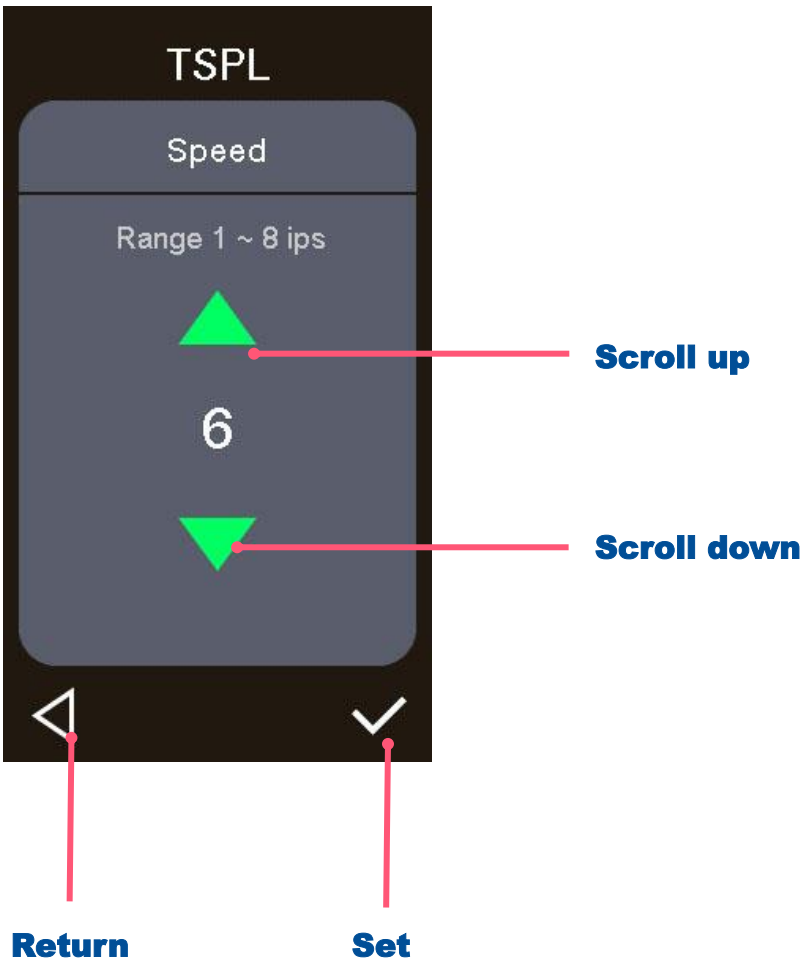
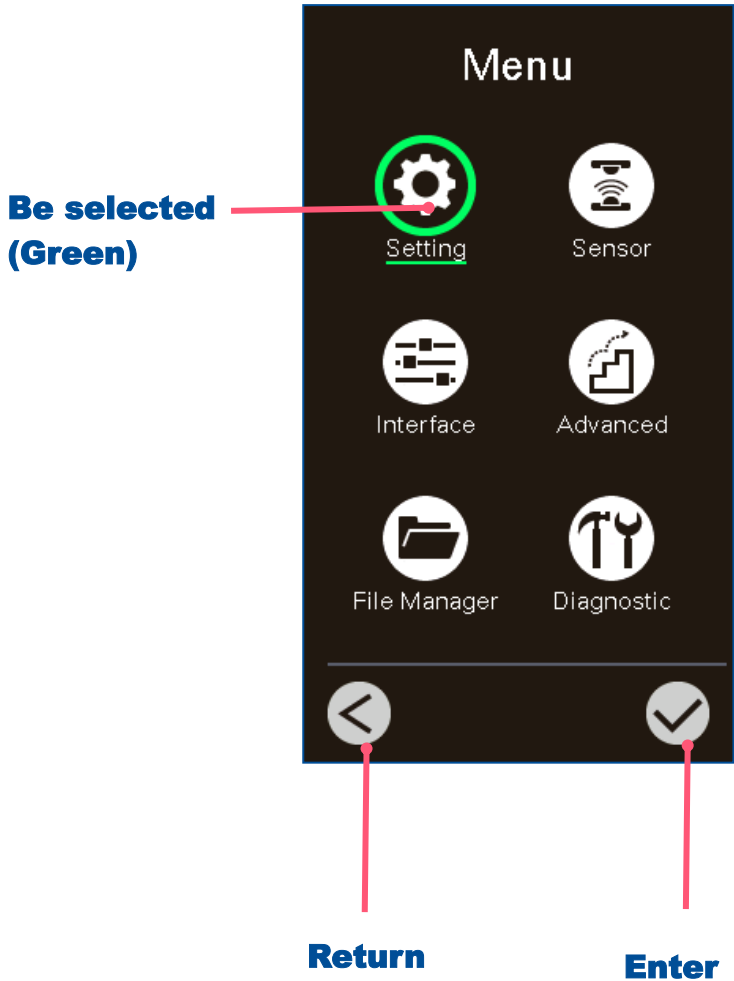
## LCD/LED Icon Indication:

### Main Page Icon

Icon	Indication
	Wi-Fi device is ready
	Ethernet is connected
	Bluetooth device is ready
	Remaining amount of ribbon(m)
	Media capacity (%) notice
	TPH clean notice
	Enter the menu
	Calibrate the media sensor
	Enter the "Favorites" option
	Enter cursor (be marked in green) located option
	Feed button (advance one label)
	Scroll up button
	Scroll down button

### 2.3.2 Touch Screen Manipulation

Tap an item to open/use it.

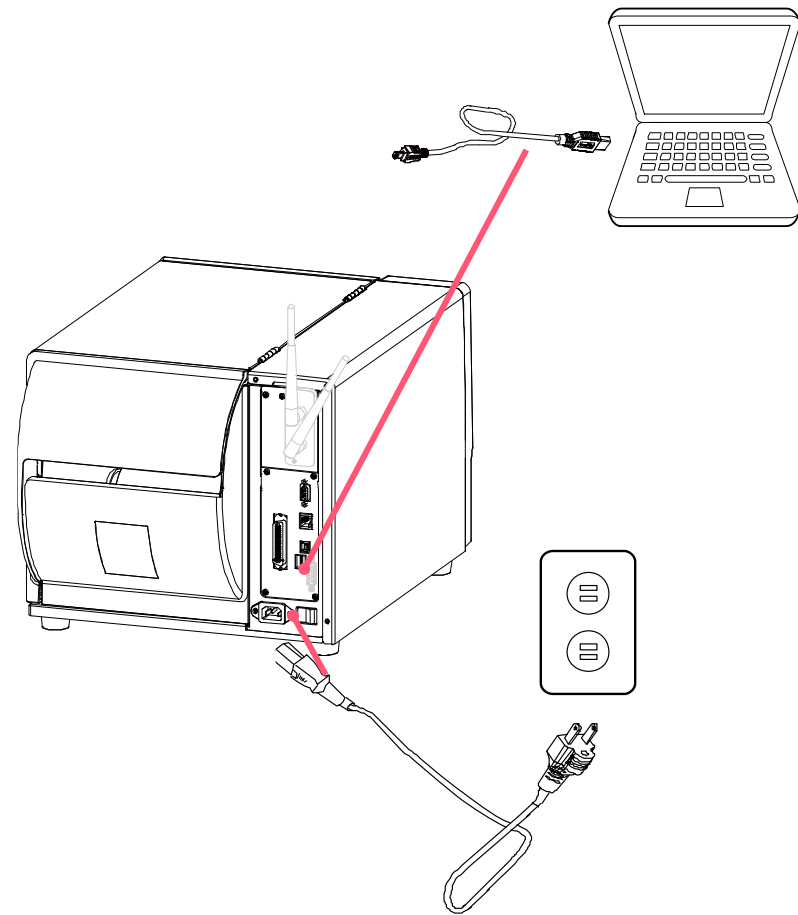




## 3. Setup

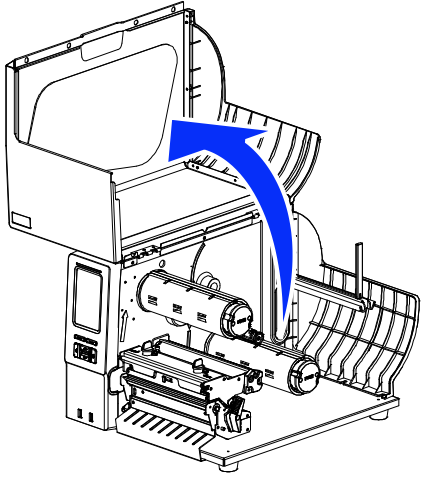
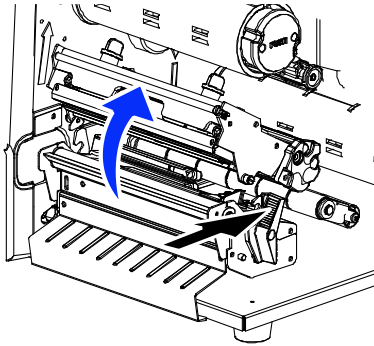
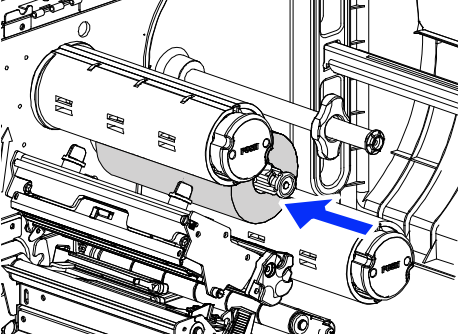
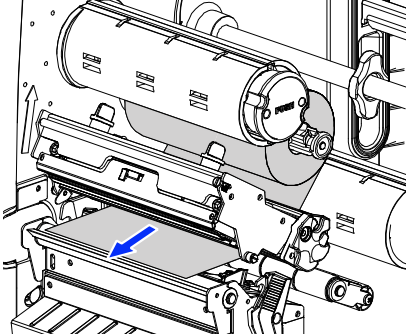
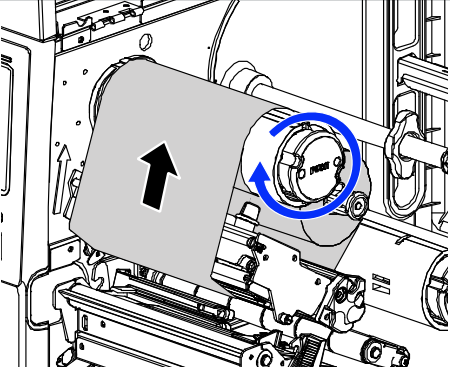
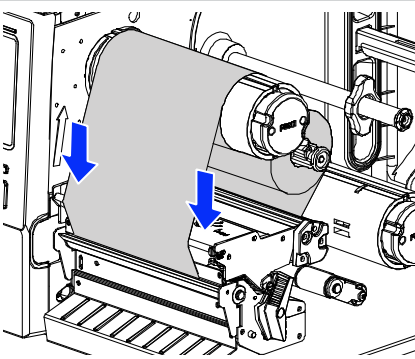
### 3.1 Setting up the printer

1. Place the printer on flat surface.
2. Make sure the printer is power off.
3. Connect the printer to the computer with the provided USB cable.
4. Plug in the power cord.

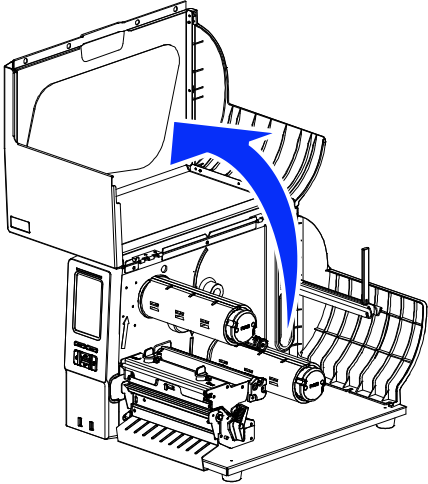
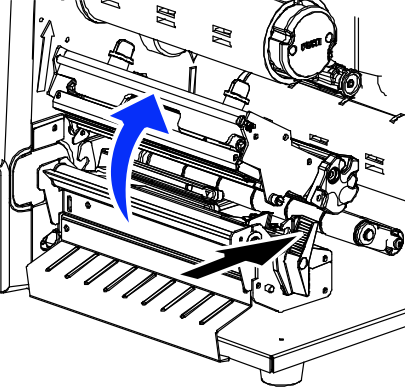
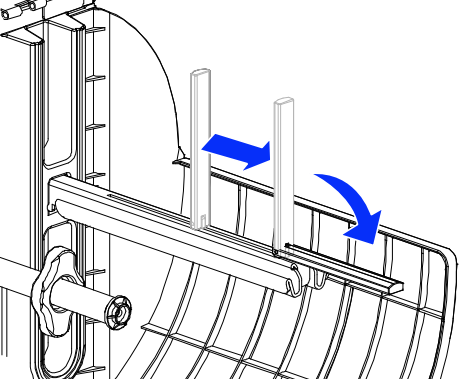
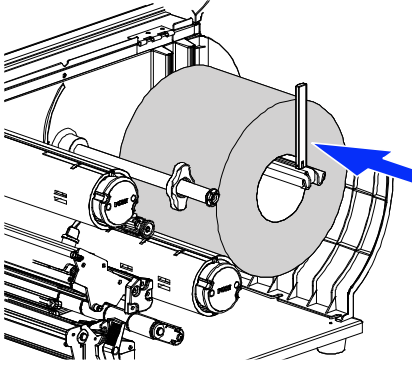



◆ **Note: Please switch OFF the printer before plugging in the power cord to printer power jack.**

## 3.2 Loading the Ribbon

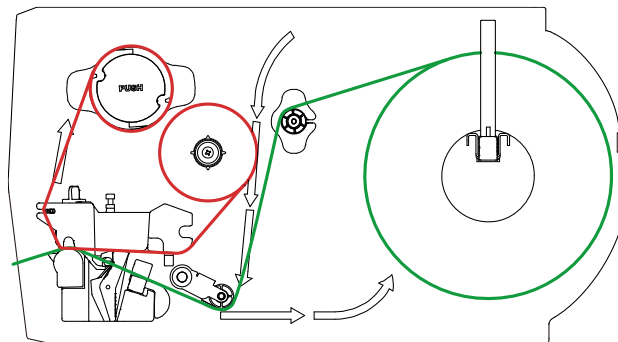
	<p><b>1.</b> Open printer right side cover.</p>		<p><b>2.</b> Release release lever to open the print head mechanism.</p>
	<p><b>3.</b> Install the ribbon onto the ribbon supply spindle.</p>		<p><b>4.</b> Thread the ribbon through the ribbon sensor slot and then to open space in between print head and platen roller.</p>
	<p><b>5.</b> Wind the ribbon clockwise until it is smooth and properly stretched.</p>		<p><b>6.</b> Close the print head mechanism.</p>

### 3.3 Loading the Media

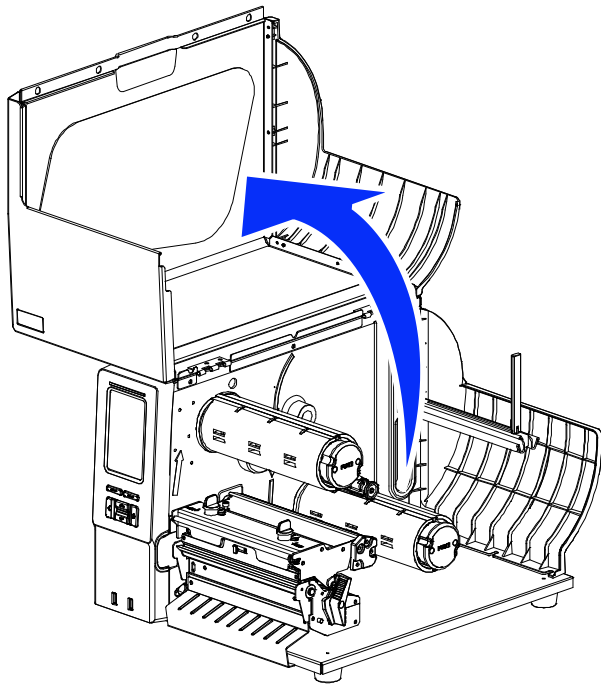
	<p><b>1.</b> Open printer right side cover.</p>		<p><b>2.</b> Release the lever to open the print head mechanism.</p>
	<p><b>3.</b> Move the label roll guard to the end of the label spindle and flip it down.</p>		<p><b>4.</b> Place media on the label supply spindle and push it to the end. Use label roll guard to fit the width of label roll.</p>

	<p><b>5.</b> Pull label roll leading edge forward through the media guide bar, damper, media sensor (green) and place the label leading edge onto the platen roller. Adjust the rear label guide (green) to fit the width of the label. Move the media sensor at the correct position.</p>
	<p><b>6.</b> Adjust the front label guide to fit the width of the label.</p> <p><b>7.</b> Close the print head mechanism.</p> <p><b>8.</b> Using the front display panel  to calibrate the media sensor.</p>

### Loading path for media & ribbon



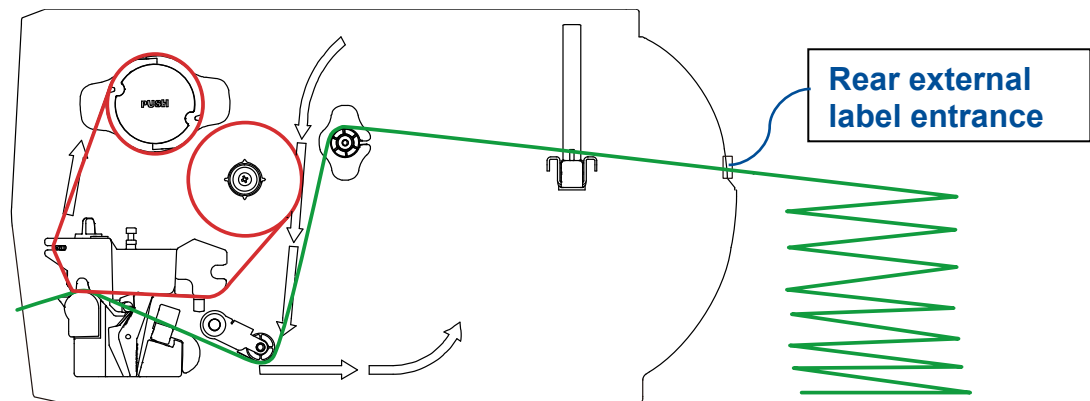
## 3.4 Loading the Fanfold/External Media



1. Open the right side cover of the printer.
2. Insert the fanfold media through the rear external label entrance chute.
3. Refer 3.3 to load the media.
4. Use the front panel to make calibration.

**Note:** Please calibrate the gap/black mark sensor when changing media.

### Loading path for fan-fold labels



## 3.5 Loading Media in Peel-off Mode (Option)

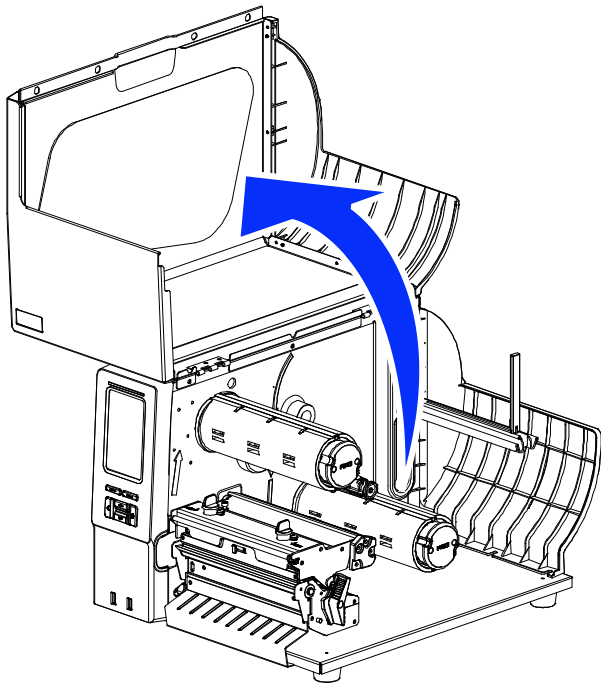
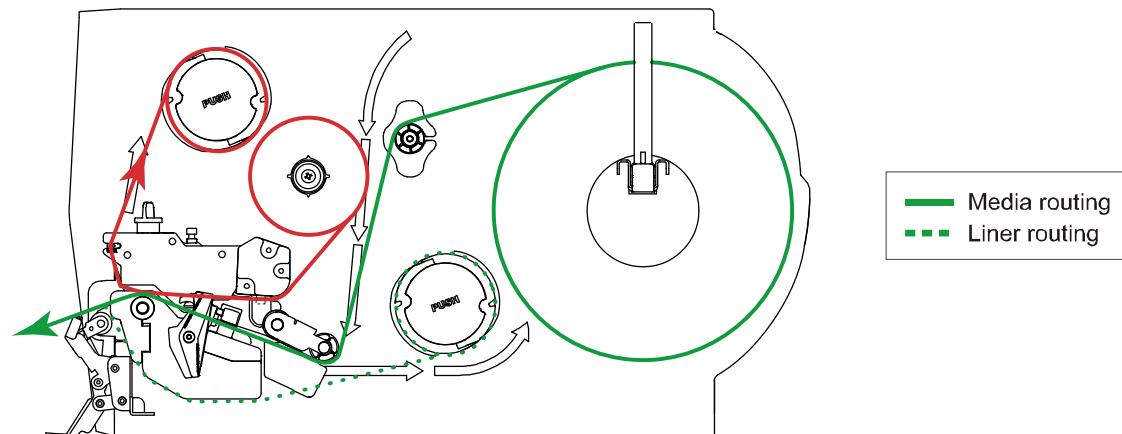
1. Open the right side cover of the printer.
2. Using the front display to calibrate the media.
3. Enter the **Menu** to set peeler mode.

(Menu → Setting → Print Mode → Peeler Mode)

4. Open print head release lever to pull approximately 650mm of label through the front of the printer and remove some labels.
5. Open the peeler off cover. Feed the liner between peel-off roller and platen roller.
6. Wrap the label onto the internal rewind spindle and wind the spindle counter-clockwise until the liner is properly stretched.
7. Close the peeler off cover and the print head mechanism.
8. Peeling will automatically start. Press the FEED button to test.

**Please calibrate the gap/black mark sensor before loading media in peel-off mode to avoid paper jam. Please calibrate the gap/black mark sensor when changing media.**

### Loading path for peeler mode



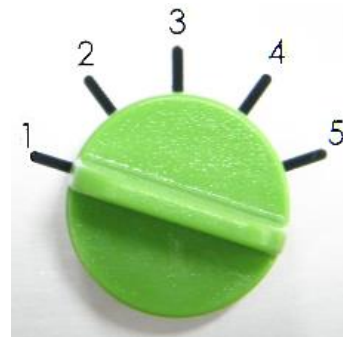
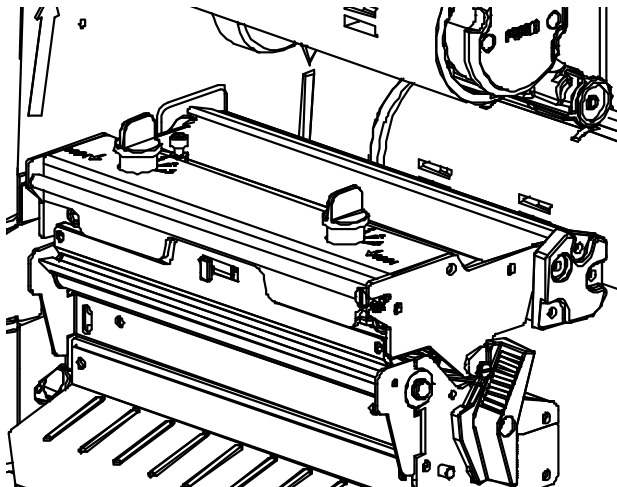
## 4. Adjustment Knob

**Print Head Pressure Adjustment Knob** has 5 levels' adjustment. Different number means different pressure to the medias . Due to media is aligned to the inbound of the printer mechanism, different media width requires the different pressure. Users can try which level can meet their expectation.

- If the label width is 4", adjust both print head pressure to the same level.
- If the label is less than 2" wide, increase the pressure of left adjustment knob and decrease the right side pressure by to level 1.

### 4.1 Mechanism Fine Adjustment to Avoid Ribbon Wrinkles

**Ribbon wrinkle** is related to the media width, thickness, print head pressure balance, ribbon film characteristics, print darkness setting...etc. In case the ribbon wrinkle happens, please follow the instructions below to adjust the printer parts.



### Wrinkle happens from label left to upper right direction



1. Decrease the right side knob's pressure per level to see whether the wrinkle is gone or not.
2. If the right side adjustment knob has been set to 1, please increase the left side one's pressure.
3. If right side knob has been set to 1 and the left 5 but the wrinkle still exists, please set the both knobs back to 1, then rotate the **Z-axis mechanism adjustment knob** clockwise for a few degrees and print again for fine tune the print head pressure distribution.

Pressure level:5>4>3>2>1

#### Note for step 3:

- Factory default setting, the Z-axis knob is rotated counter clockwise to the end of thread.
- Turn the Z-axis mechanism adjustment knob clockwise until you feel the knob touch the mechanism for the first adjustment.
- If the wrinkle is still there, please turn the Z-axis mechanism adjustment knob clockwise about 1/4 circle each time for adjustment
- If the wrinkled direction is change from “/” to “\” by adjusting the Z-axis mechanism adjustment knob, please turn the Z axis mechanism adjustment knob counter clockwise to avoid the wrinkle.

### Wrinkle happens from label lower right to upper left direction



1. Decrease the left side knob's pressure per level to see whether the wrinkle is gone or not.
2. If the left side adjustment knob has been set to 1, please increase the right side one's pressure.



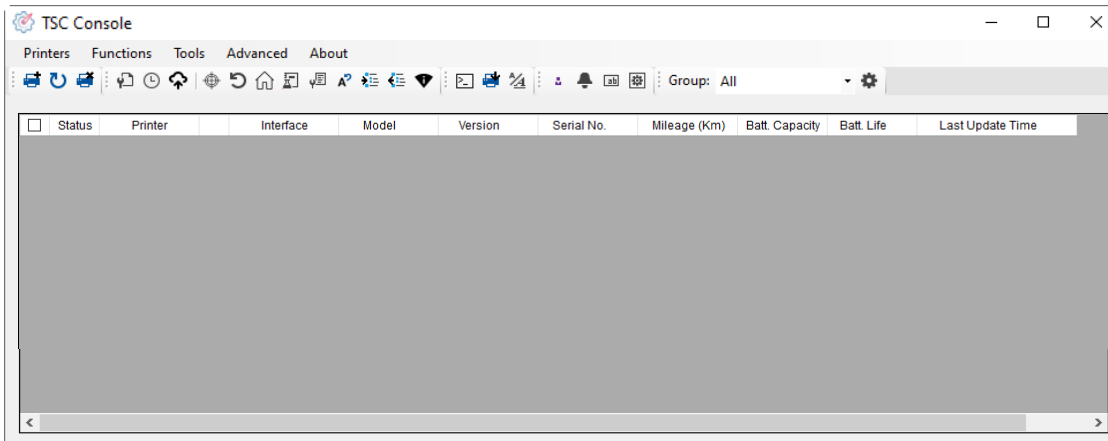
## 5. TSC Console

TSC Console is a management tool combining the Printer Management, Diagnostic Tool, CommTool and Printer Webpage settings, which enables you to adjust printer's settings/status; change printers' settings; download graphics, deploy fonts, graphics, label templates or upgrade the firmware to the group of printers, and send additional commands to printers at the same time.

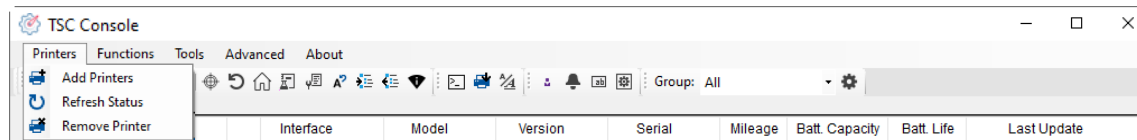
※ **Printer firmware version before A2.12 will only use 9100 Port as command port; Printer firmware after A2.12 will use 6101 Port as command port.**

### 5.1 Start TSC Console

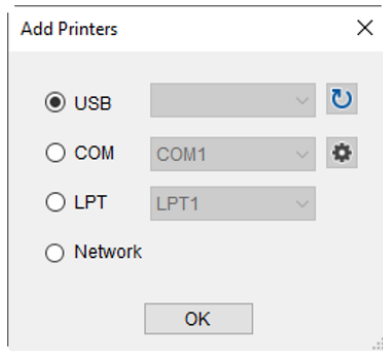
1. Double click TSC Console icon to start the software.



2. Manually add the devices by clicking **Printer > Add Printers**.

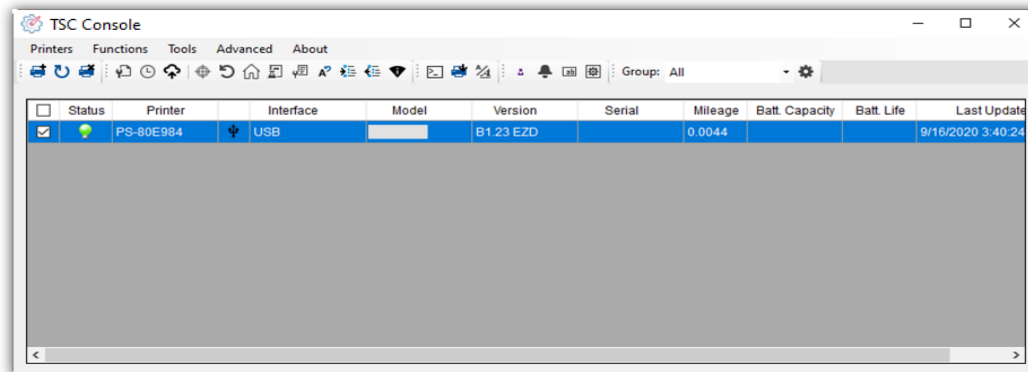


3. Select the current interface of the printer.



4. The printer will be added to **TSC Console**'s interface.

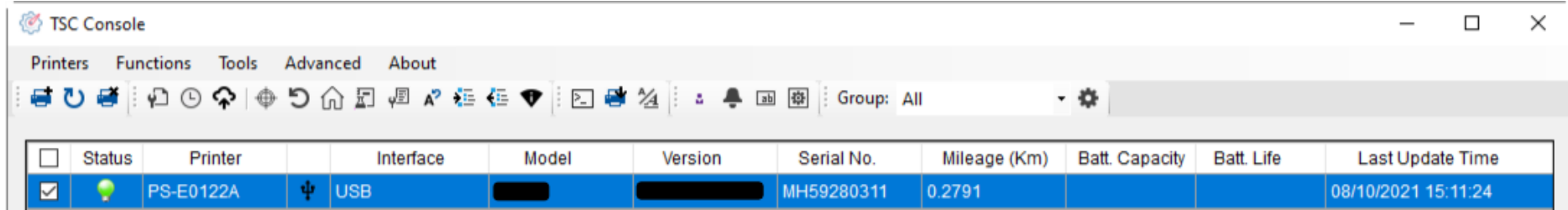
5. Select the printer and set the settings.



- For more information, please refer to **TSC Console User Manual**.

## 5.2 Setup Ethernet Interface

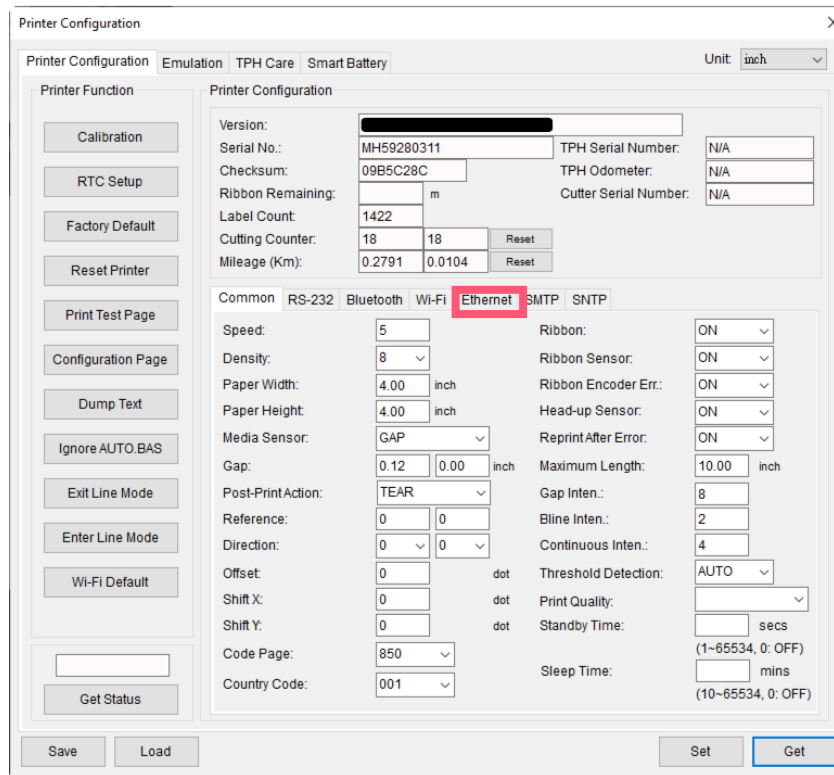
- Use **USB** or **COM** to establish the interface on **TSC Console**.



The screenshot shows the TSC Console software interface. At the top, there are menu options: Printers, Functions, Tools, Advanced, and About. Below the menu is a toolbar with various icons. A status bar at the bottom of the toolbar shows 'Group: All'. The main area contains a table with the following columns: Status, Printer, Interface, Model, Version, Serial No., Mileage (Km), Batt. Capacity, Batt. Life, and Last Update Time. The table has one row of data:

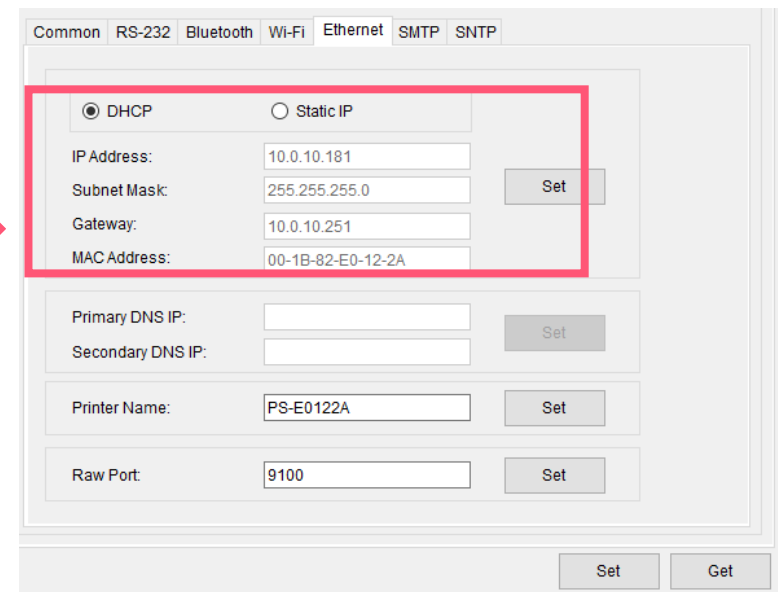
Status	Printer	Interface	Model	Version	Serial No.	Mileage (Km)	Batt. Capacity	Batt. Life	Last Update Time
<input checked="" type="checkbox"/>	PS-E0122A	USB			MH59280311	0.2791			08/10/2021 15:11:24

- Double click to enter the **Printer Configuration Page** > Click **Ethernet** tab > Check the **IP Address**.



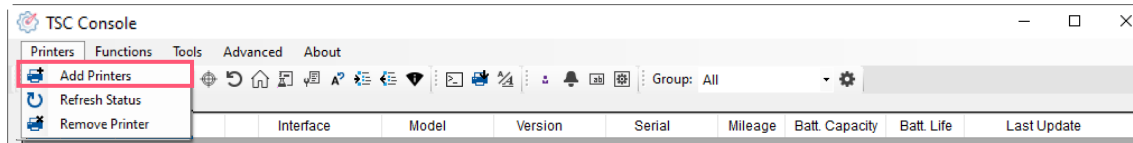
The screenshot shows the 'Printer Configuration' dialog box. The 'Printer Configuration' tab is selected. The 'Ethernet' sub-tab is highlighted with a red box. The 'Ethernet' sub-tab contains the following settings:

Common	RS-232	Bluetooth	Wi-Fi	Ethernet	SMTP	SNTP
<input checked="" type="radio"/> DHCP <input type="radio"/> Static IP						
IP Address:		10.0.10.181		Set		
Subnet Mask:		255.255.255.0		Set		
Gateway:		10.0.10.251		Set		
MAC Address:		00-1B-82-E0-12-2A		Set		
Primary DNS IP:				Set		
Secondary DNS IP:				Set		
Printer Name:		PS-E0122A		Set		
Raw Port:		9100		Set		

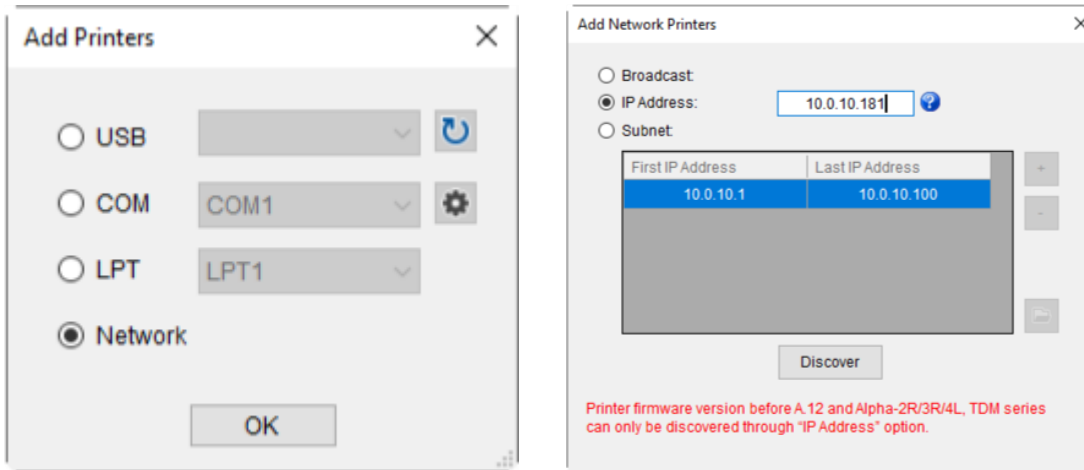


The screenshot shows the 'Ethernet' settings panel. The 'DHCP' radio button is selected. The 'IP Address' is set to 10.0.10.181, the 'Subnet Mask' is 255.255.255.0, the 'Gateway' is 10.0.10.251, and the 'MAC Address' is 00-1B-82-E0-12-2A. The 'Printer Name' is PS-E0122A and the 'Raw Port' is 9100. The 'Set' button is highlighted.

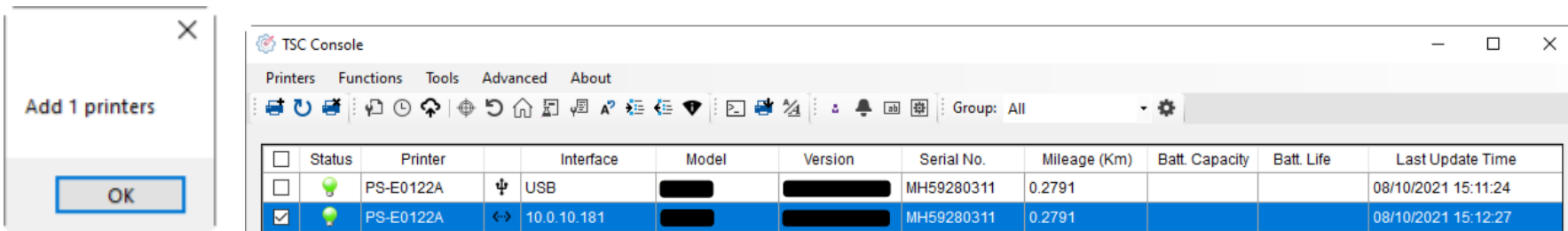
- Return to **TSC Console** main page > Click **Add Printer** on the top left of the window.



- Choose **Network** > Key in the **IP Address** > Click **Discover** to establish the Ethernet interface.

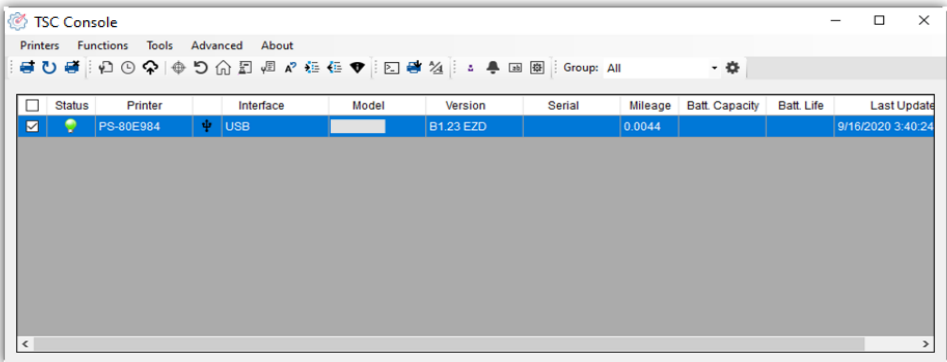


- The notification will pop up > Click **OK** to close the window > The Ethernet interface will be shown on **TSC Console**.

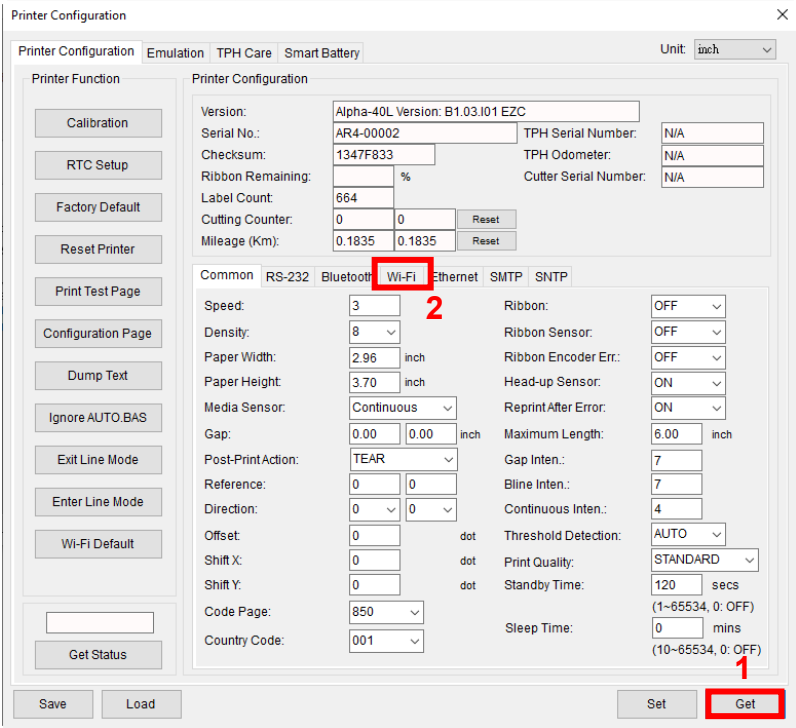


# 5.3 Set Wi-Fi and Add to TSC Console Interface

- Use **USB** or **COM Port** to set up the interface.  
(refer to chp.5.1)
- Double click to enter the printer configuration page.



- Click **Get** to receive printer's information.
- Click **Wi-Fi** to the wi-fi setting page.



### For WPA-Personal

- I. Fill-in the **SSID**.
- II. Select the Encryption option to **WPA-Personal**.
- III. Fill-in the Key.
- IV. Select **DHCP** to **ON**. (For **OFF** option, please fill-in the IP Address, Subnet Mask and Gateway)
- V. After setting, click the **Set** button.

#### Note:

Before setting, the entered field will be shown in yellow for reminding.

On DHCP, user can change the printer name by another model name in "Printer Name" field.

User also can change the raw port in "Raw Port" field.

Common RS-232 Bluetooth Wi-Fi Ethernet SMTP SNTP

Built-in Wi-Fi Module

SSID: SSID\_1 EAP Type: [v]  
WLAN Encryption: WPA-Personal Username: [ ]  
Key: \*\*\*\*\* Password: [ ]  
DHCP: ON File Name Browse  
IP Address: [ ] CA Certificate: [ ]  
Subnet Mask: 0.0.0.0 Client Certificate: [ ]  
Gateway: [ ] Private Key: [ ]  
Primary DNS IP: [ ] EAP-FAST PAC: [ ]  
Secondary DNS IP: [ ]  
Raw Port: 9100  
Printer Name: PS-FF153C Wi-Fi Version: 3.7.1.0R6  
MAC Address: 00:1B:82:FF:15:3C RSSI: 0

Set Get

### For WPA-Enterprise

- I. Fill-in the **SSID**.
- II. Select the Encryption option to **WPA2-Enterprise**.
- III. Select DHCP to **ON** (For **OFF** option, please fill-in the IP Address, Subnet Mask and Gateway)
- IV. Select the **EAP Type** option. (For **EAP-TLS** option, please upload the CA and Key for mutual authentication, integrity-protected cipher suite negotiation, and key exchange between two endpoints.)
- V. After setting, click the **Set** button.

#### Note:

Before setting, the entered field will be shown in yellow for reminding.

On DHCP, user can change the printer name by another model name in "Printer Name" field.

User also can change the raw port in "Raw Port" field.

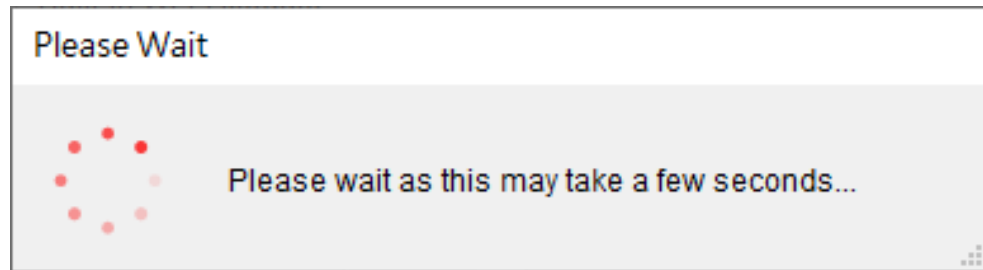
Common RS-232 Bluetooth Wi-Fi Ethernet SMTP SNTP

Built-in Wi-Fi Module

SSID: SSID\_2 EAP Type: [v]  
WLAN Encryption: WPA-Enterprise Username: [ ]  
Key: \*\*\*\*\* Password: [ ]  
DHCP: ON File Name Browse  
IP Address: [ ] CA Certificate: [ ]  
Subnet Mask: 0.0.0.0 Client Certificate: [ ]  
Gateway: [ ] Private Key: [ ]  
Primary DNS IP: [ ] EAP-FAST PAC: [ ]  
Secondary DNS IP: [ ]  
Raw Port: 9100  
Printer Name: PS-FF153C Wi-Fi Version: 3.7.1.0R6  
MAC Address: 00:1B:82:FF:15:3C RSSI: 0

Set Get

- After clicking **Set** button, it'll pop-up the window tip as below shown.

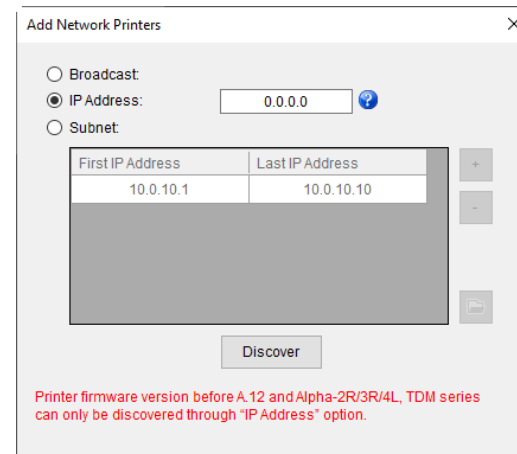


- IP address will be shown in the "IP address" field and the Wi-Fi logo and IP address will be displayed on the LCD control panel.

**Note:**

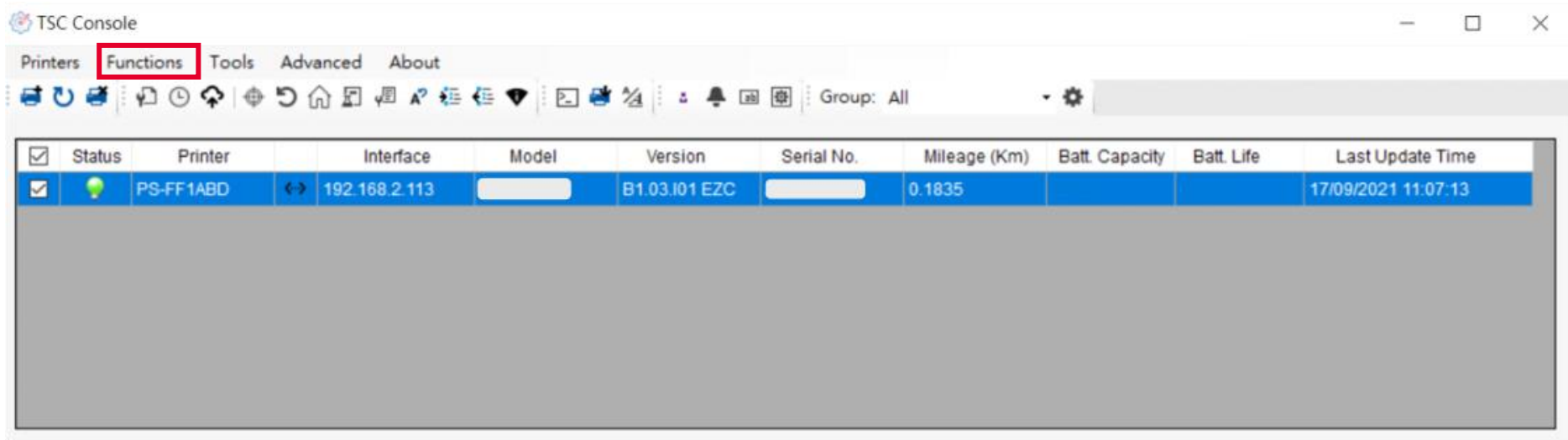
IP address should be shown within about 5~15 seconds after printer turn on. If not, please refer to steps below to initialize the printer Wi-Fi module settings then to setup it again.

- Remove the cable between the computer and the printer.
- Go to main page, click **Add Printer** to add the printer via **Network**.
- Select the printer and enter the setting page by double clicking the printer.
- Click the **Print Test Page** button to print the test page via Wi-Fi interface.

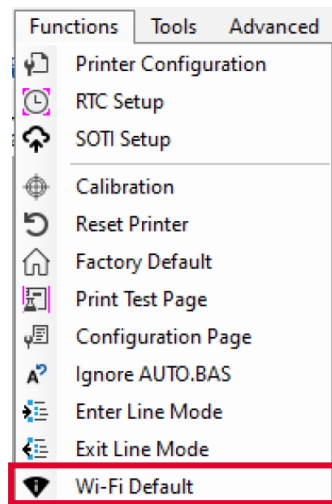


## 5.4 Initialize the Printer Wi-Fi Setting

1. Return to the main page of TSC Console.



2. Click **Functions** to expand the page.
3. Click **Wi-Fi Default** to initialize the printer Wi-Fi module setting to factory default setting.





## 5.5 Printer Function

Printer Function could be found in **Printer Configuration**. “Printer Function” will be shown on the left side of the window.



Functions	Description
<b>Calibrate Sensor</b>	Detect media types and the size of the label
<b>RTC Setup</b>	Synchronize printer with Real Time Clock on PC
<b>Factory Default</b>	Initialize the printer to default settings
<b>Reset Printer</b>	Reboot printer
<b>Print Test Page</b>	Print test page according to the specified label size and sensor type.
<b>Configuration Page</b>	Print printer configurations
<b>Dump Text</b>	Activate the printer to dump mode
<b>Ignore AUTO.BAS</b>	Ignore AUTO.BAS file when printer boot up.
<b>Exit Line Mode</b>	Exit the line mode to page mode
<b>Enter Line Mode</b>	Leave page mode and enter line mode
<b>Reset WiFi</b>	Restore the Wi-Fi settings to defaults.

## 5.6 Setting Post-Print Action

When the printer is equipped with other option kits, ex: cutter, peeler, rewinder, please select the mode after finishing the calibration.

Follow below procedure to set the post action for the printing:

Refer Ch 5.1 to Connect the printer with **TSC Console** > **Double click** the printer > The **Printer Configuration Page** will pop up > Click **Get** to load information > Go to **Common Tab** > Find **Post-Print Action** > **Select the mode** depends on users' application > Click **Set**.

Printer Configuration

Printer Configuration Emulation TPH Care Smart Battery Unit: mm

Printer Function

Calibration

RTC Setup

Factory Default

Reset Printer

Print Test Page

Configuration Page

Dump Text

Ignore AUTO.BAS

Exit Line Mode

Enter Line Mode

Wi-Fi Default

Get Status

Save Load

Printer Configuration

Version: [ ]

Serial No.: [ ] TPH Serial Number: N/A

Checksum: 1344B9B1 TPH Odometer: N/A

Ribbon Remaining: [ ] % Cutter Serial Number: N/A

Label Count: 553

Cutting Counter: 0 0 Reset

Mileage (Km): 0.0913 0.0913 Reset

Common RS-232 Bluetooth Wi-Fi Ethernet SMTP SNTP

Speed: 3 Ribbon: OFF

Density: 8 Ribbon Sensor: OFF

Paper Width: 104.00 mm Ribbon Encoder Err.: OFF

Paper Height: 74.05 mm Head-up Sensor: ON

Media Sensor: Black Mark Reprint After Error: ON

Gap: 1.99 0.00 mm Maximum Length: 152.25 mm

Post-Print Action: [ ] Gap Inten.: 7

Reference: OFF Bline Inten.: 7

Direction: TEAR Continuous Inten.: 4

Offset: PEEL Threshold Detection: AUTO

Shift X: CUTTER Print Quality: STANDARD

Shift Y: REWIND Standby Time: 120 secs

Code Page: 850 Sleep Time: 0 mins

Country Code: 001 (1~65534, 0: OFF)

(10~65534, 0: OFF)

Set Get



# 6. LCD Menu Function

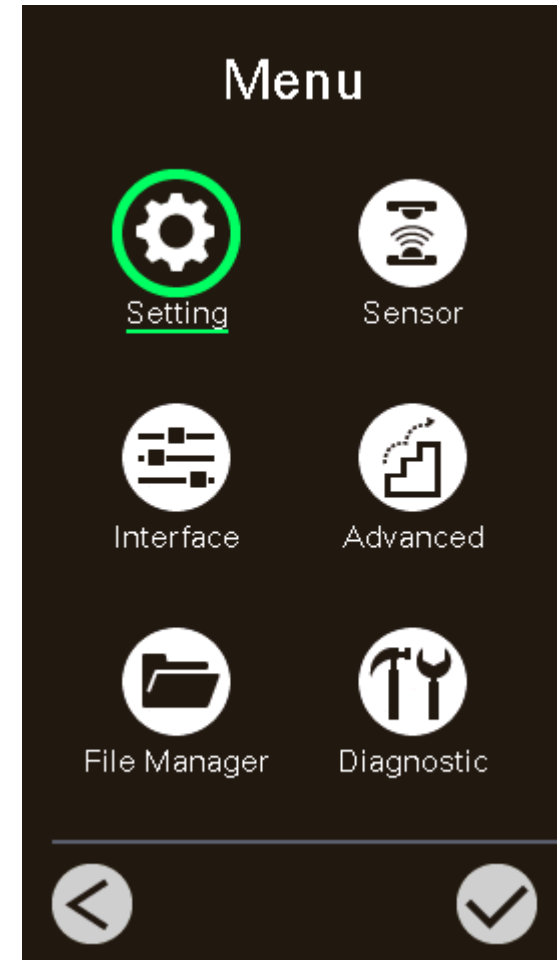
## 6.1 Enter the Menu

- **By touch display:**

Tap the  (Menu) icon on LCD main page to enter the menu.

- **By Keys:**

Use navigational keys to select the  (Menu) icon (be marked in green) and press the left soft key button (means  ) to enter the menu.



## 6.2 Menu Overview

There are 6 categories on the menu. Users can easily set the settings of the printer without connecting the computer. Please refer to following sections for more details.



**Setting** : To set up the printer settings for TSPL & ZPL2.



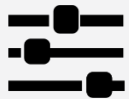
**Advanced** : To set LCD, initialization, cutter type,...etc.



**Sensor** : To calibrate the selected media sensor.



**File Manager** : To check and manage printer's memory storage.



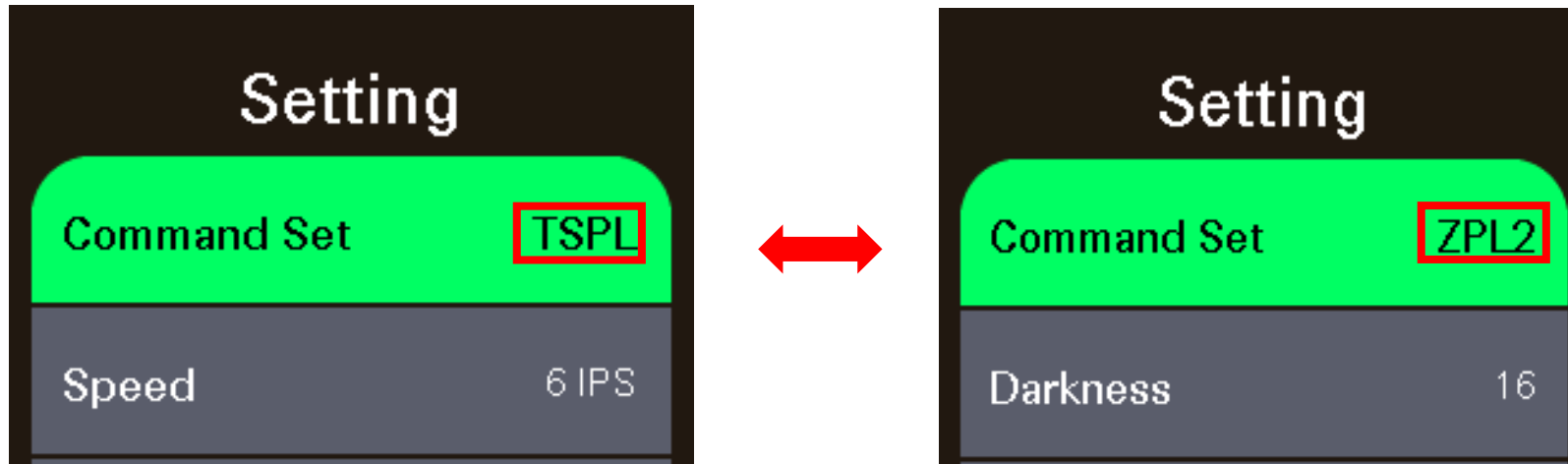
**Interface** : To set the printer interface settings.



**Diagnostic** : To check printer and help users to troubleshoot the problems.

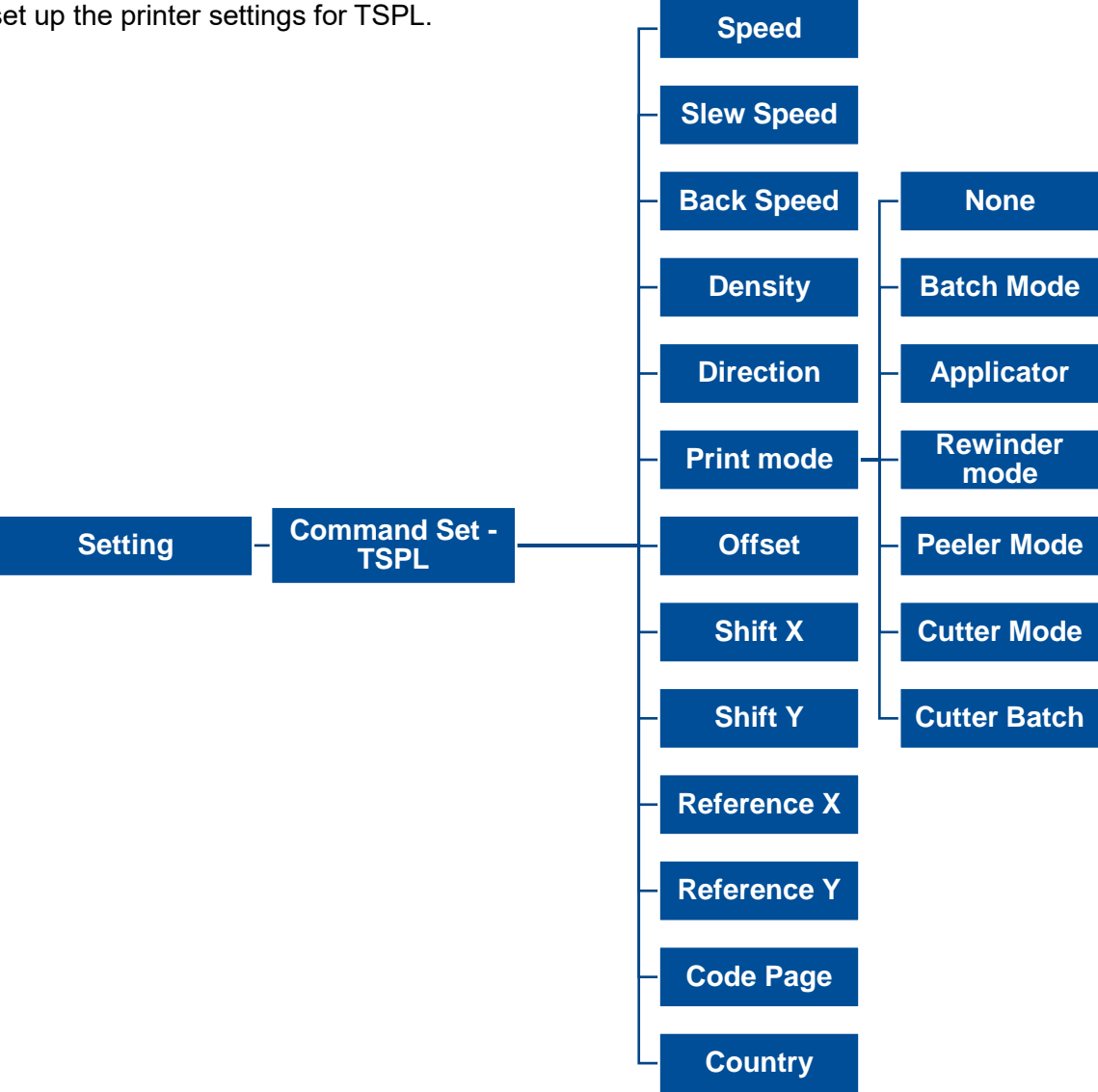
## 6.3 Setting

Tap the **Command Set** on LCD to switch between TSPL and ZPL2. **Command Set** can also be activated by **Navigational Keys**.



### 6.3.1 TSPL

TSPL category can set up the printer settings for TSPL.

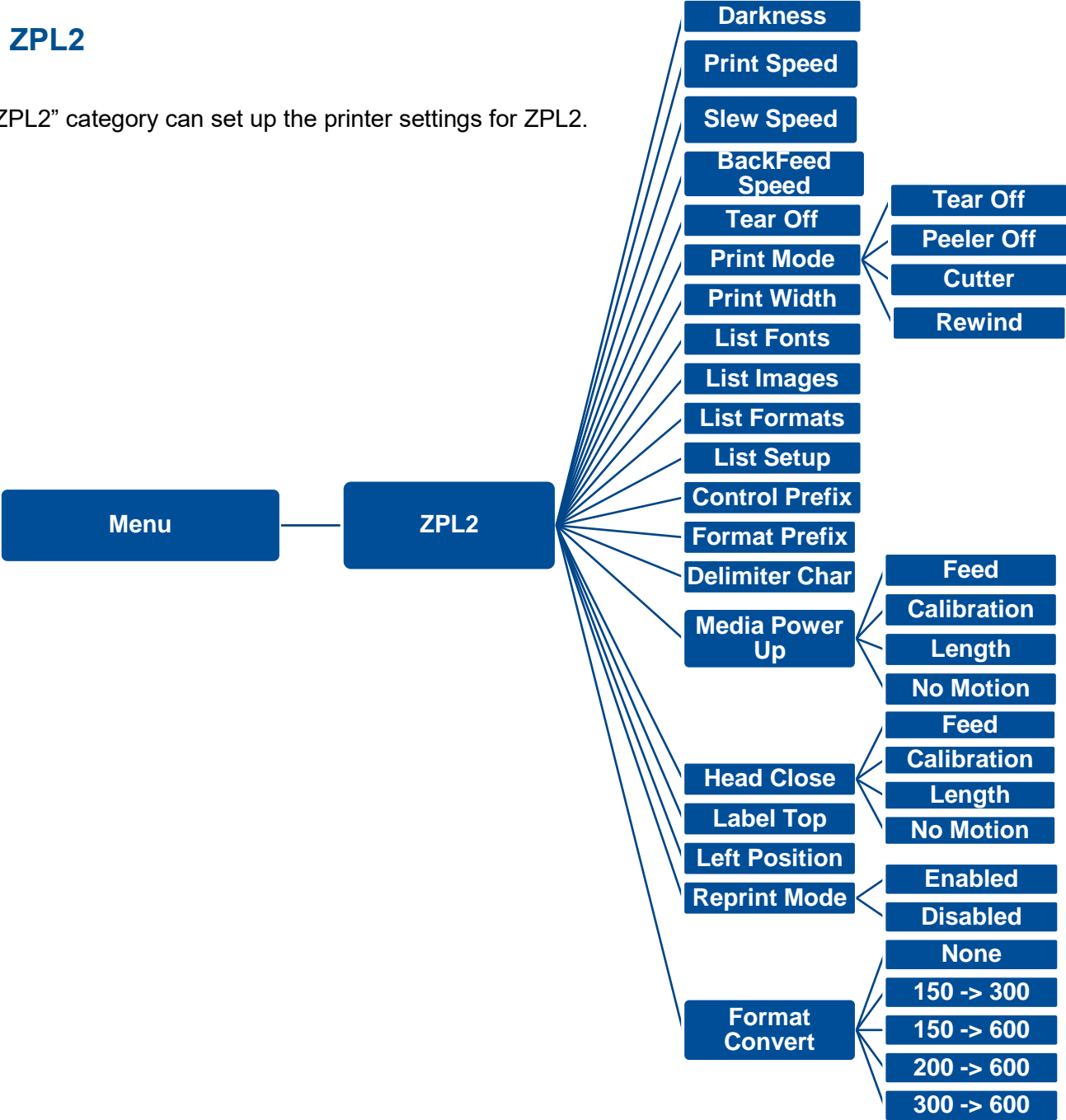


Item	Description	Default
<b>Speed</b>	Set the print speed	203 dpi: 6 300 dpi: 4
<b>Slew Speed</b>	Set feed speed	203 dpi: 6 300 dpi: 4
<b>Back Speed</b>	Set back speed	2
<b>Density</b>	Set printing darkness. Setting range: 0 to 15, and the step is 1.	8
<b>Direction</b>	Set the printout direction. Setting Value: 0 and 1.  Direction 0: <input type="text" value="Direction"/> Direction 1: <input type="text" value="Direction"/>	0
<b>Print mode</b>	Set the print mode. There are 6 modes in total: <b>None:</b> Next label top of form is aligned to the print head burn line location. (Tear Off Mode) <b>Batch Mode:</b> Once finishing the printing process, label will be fed to the tear plate location. <b>Peeler Mode:</b> Enable the label peel off mode. <b>Cutter Mode:</b> Enable the label cutter mode. <b>Cutter Batch:</b> Cut the label once at the end of the printing job. <b>Rewinder Mode:</b> Enable the label rewinder mode. <b>Applicator:</b> The printer prints a label when it receives a signal from the applicator.	<b>Batch Mode</b>
<b>Offset</b>	Adjust media stop location. Available value setting range: -999 dots to 999 dots.	0 dot
<b>Shift X</b>	Adjust print position. Available value setting range: -999 dots to 999 dots.	0 dot
<b>Shift Y</b>		0 dot
<b>Reference X</b>	Set the origin of printer coordinate system horizontally and vertically. Available setting range: 0 dot to 999 dots.	0 dot
<b>Reference Y</b>		0 dot
<b>Code page</b>	Set the code page of international character set.	850
<b>Country</b>	Set the country code	001

Note: If printing from enclosed software/driver, the software/driver will send out the commands, which will overwrite the settings set from the panel.


### 6.3.2 ZPL2

This "ZPL2" category can set up the printer settings for ZPL2.





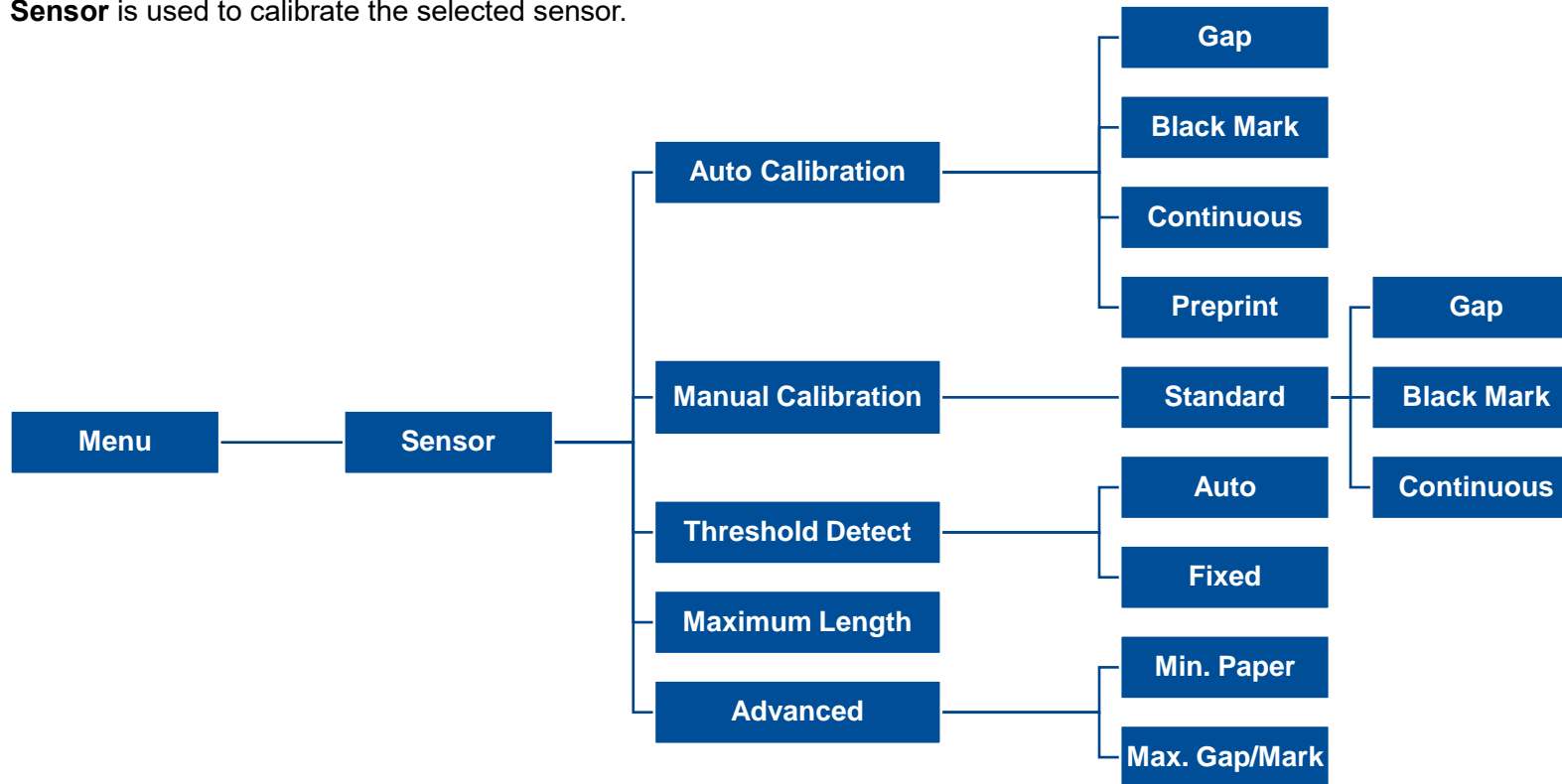
Item	Description	Default
<b>Density</b>	Set the printing darkness. Available setting range: 0 to 30.	16
<b>Print Speed</b>	Set the print speed. Available setting range is 2~18 for 203dpi and 2~14 for 300dpi; 1.5~6 for 300dpi..	203 dpi: 6 300 dpi: 4
<b>Slew Speed</b>	Set feed speed	203 dpi: 6 300 dpi: 4
<b>Back Speed</b>	Set back speed	2
<b>Tear Off</b>	Adjust media stop location. Available setting value range: -120~120 dots. Set the print mode. There are 4 modes:	0 dot
	<b>Tear Off:</b> Next label top of form is aligned to the print head heating line location.	
	<b>Peeler Off:</b> Enable the label peel off mode.	
<b>Print mode</b>	<b>Cutter:</b> Enable the label cutter mode	<b>Tear Off</b>
	<b>Rewind:</b> Enable the label rewind mode	
	<b>Applicator:</b> The printer prints a label when it receives a signal from the applicator.	
<b>Print Width</b>	Set the print width. Available setting range: 2 ~ 999 dots.	812
<b>List Fonts</b>	Print the current fonts list from the memory devices to the label.	N/A
<b>List Images</b>	Print current printer available images list stored at the memory device to the label.	N/A
<b>List Formats</b>	Print current printer available formats list from the memory devices to the label.	N/A
<b>List Setup</b>	Print current printer configuration to the label.	N/A
<b>Control Prefix</b>	Set control prefix character.	7E(~)
<b>Format Prefix</b>	Set format prefix character.	5E(^)
<b>Delimiter Char</b>	Set delimiter character.	2C(,)

	Set the action of the media when turning on the printer.	
<b>Media Power Up</b>	<b>Feed:</b> Printer will advance one label.	<b>No Motion</b>
	<b>Calibration:</b> Printer will make calibration.	
	<b>Length:</b> Printer determine length and feed label.	
	<b>No Motion:</b> Printer will not move media.	
	Set the action of the media when closing the print head.	
<b>Head Close</b>	<b>Feed:</b> Printer will advance one label.	<b>No Motion</b>
	<b>Calibration:</b> Printer will make calibration.	
	<b>Length:</b> Printer determine length and feed label.	
	<b>No Motion:</b> Printer will not move media.	
<b>Label Top</b>	Adjust print position vertically on the label. Value range: -120 to +120 dots.	<b>0</b>
<b>Left Position</b>	Adjust print position horizontally on the label. Value range:-9999 to +9999 dots.	<b>0</b>
<b>Reprint Mode</b>	Reprint the last label by pressing  button on printer's control panel.	<b>Disabled</b>
<b>Format Convert</b>	Select the bitmap scaling factor. The first number is the original dots per inch (dpi) value; the second the dpi which you would like to scale.	<b>None</b>

*Note: printing from other software/drive will overwrite the settings set from the panel.*

## 6.4 Sensor

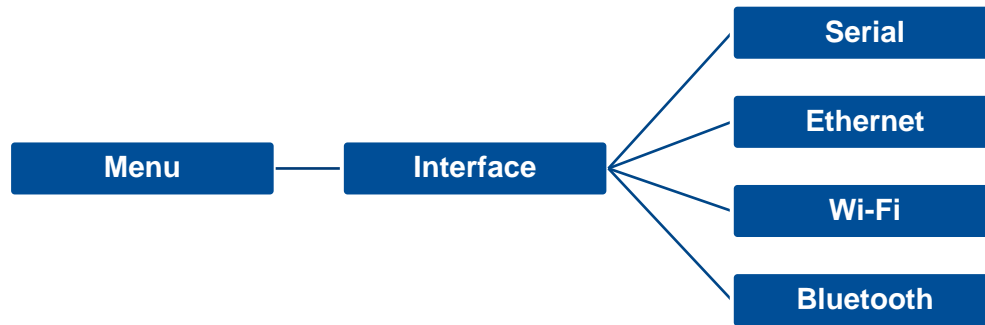
**Sensor** is used to calibrate the selected sensor.



Item	Description	Default
<b>Auto Calibration</b>	Set the media sensor type and calibrate the selected sensor automatically.	N/A
<b>Manual Calibration</b>	In case Auto Calibration does not work, please use “Manual” function to set the paper length and gap/bline size to complete the calibration setting.	N/A
<b>Threshold Detect</b>	Set sensor sensitivity in fixed or auto.	Auto
<b>Maximum Length</b>	Set the maximum length for label calibration.	762 mm
<b>Advanced</b>	Set the minimum paper length and maximum gap/bline length for auto-calibration.	0 mm

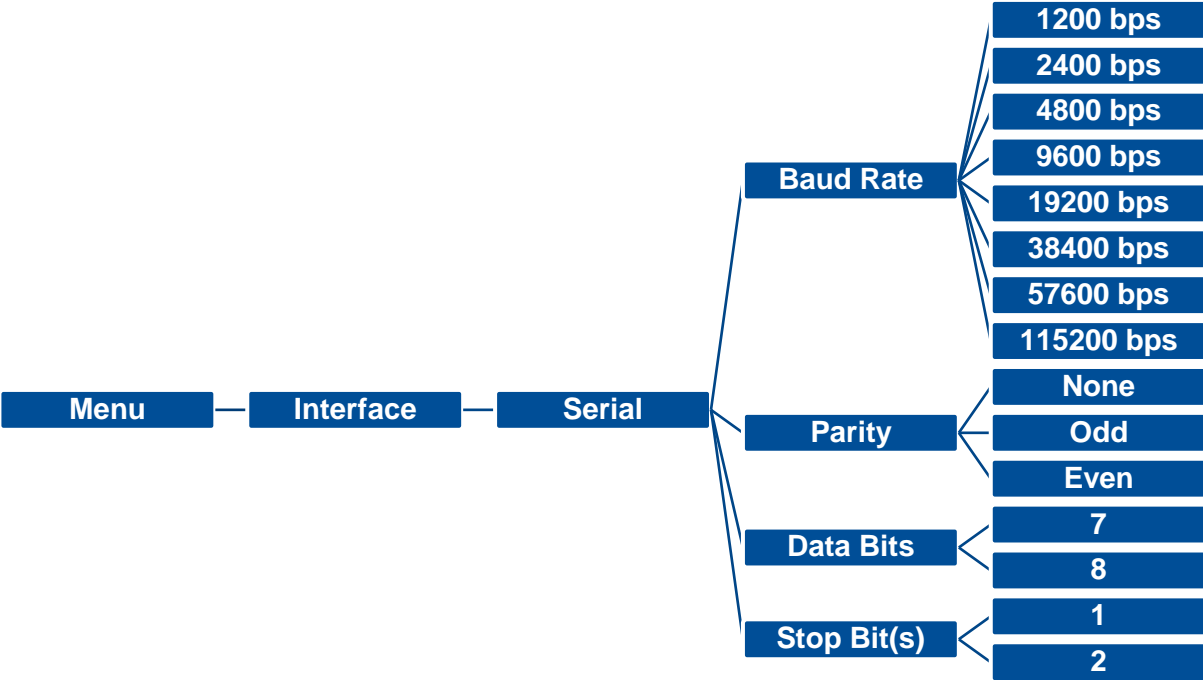
## 6.5 Interface

**Interface** can set the printer interface settings.



# 6.5.1 Serial Comm

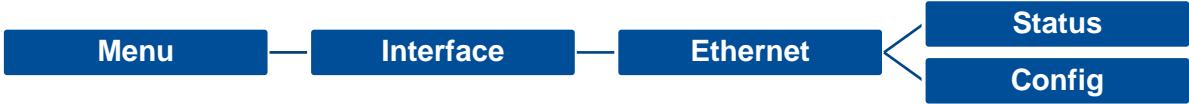
Serial comm can set the printer RS-232 settings.



Item	Description	Default
Baud Rate	Set the RS-232 baud rate.	9600
Parity	Set the RS-232 parity.	None
Data Bits	Set the RS-232 Data Bits.	8
Stop Bit(s)	Set RS-232 Stop Bits.	1

### 6.5.2 Ethernet

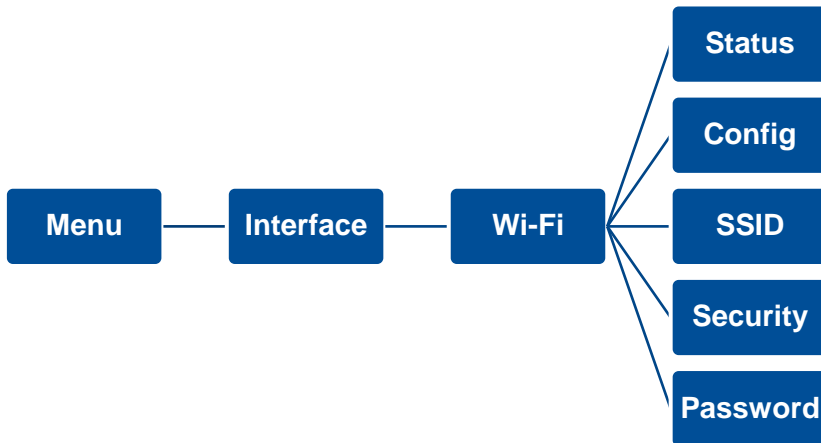
**Ethernet** configures internal Ethernet configuration and checks the printer's Ethernet module status, and reset the Ethernet module.



Item	Description	Default
Status	Check the Ethernet IP address and MAC setting status.	N/A
Config.	<b>DHCP:</b> On or OFF the DHCP (Dynamic Host Configuration Protocol) network protocol. <b>Static IP:</b> Use this menu to set the printer's IP address, subnet mask and gateway.	DHCP

### 6.5.3 Wi-Fi

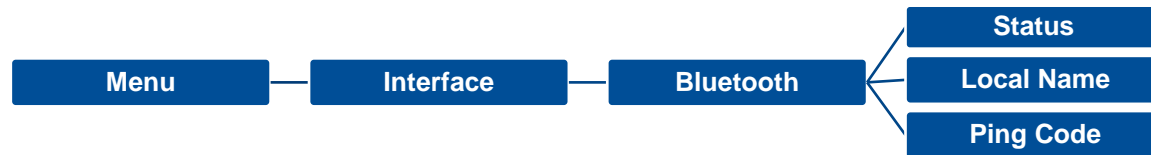
Wi-Fi can set the printer Wi-Fi settings.



Item	Description	Default
Status	Check the Wi-Fi IP address, MAC setting status,...etc.	N/A
Config.	<b>DHCP:</b> ON/OFF the DHCP (Dynamic Host Configuration Protocol) network protocol. <b>Static IP:</b> Set the printer's IP address, subnet mask and gateway.	DHCP
SSID	Set Wi-Fi SSID.	N/A
Security	Set Wi-Fi security.	Open
Password	Set Wi-Fi password.	N/A

## 6.5.4 Bluetooth

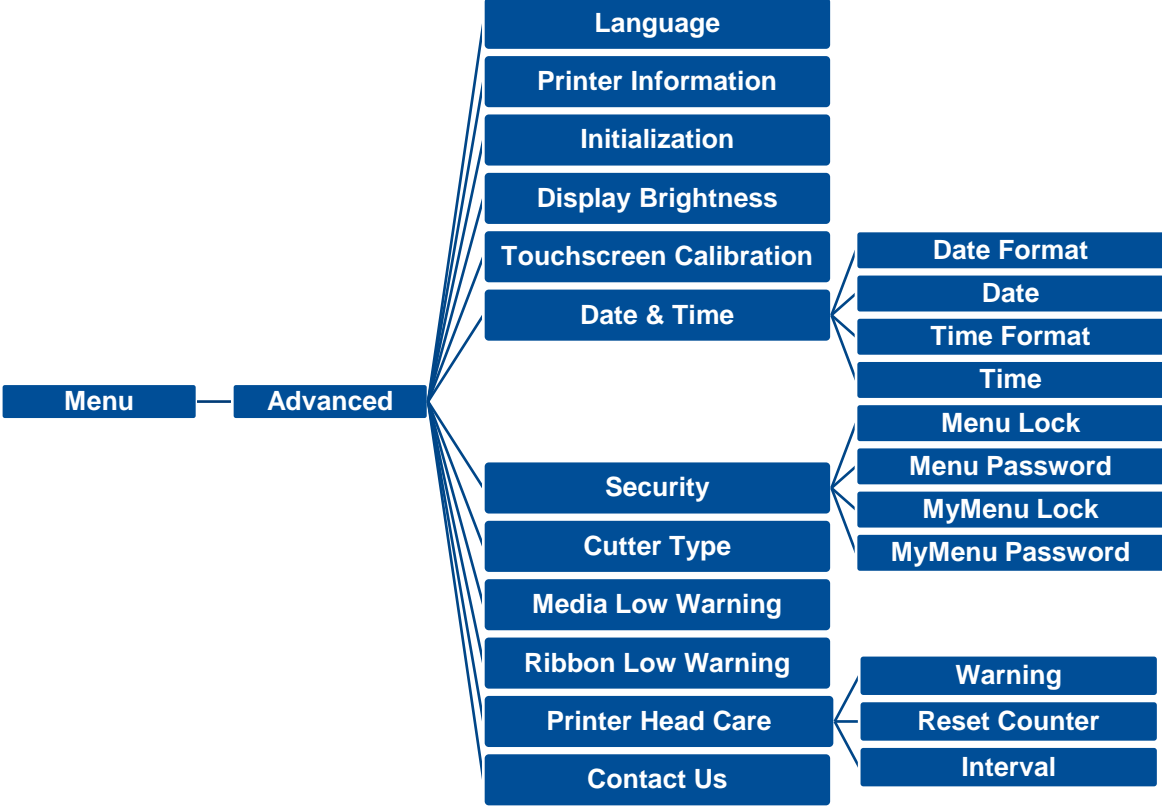
Bluetooth can set the printer Bluetooth settings.





Item	Description	Default
Status	Check the Bluetooth status.	N/A
Local Name	Set the local name for Bluetooth.	N/A
Ping Code	Set the local ping code for Bluetooth.	0000



# 6.6 Advanced



Item	Description	Default
Language	Switch the language on display.	English
Printer Information	Check the printer’s serial number, printed mileage (m), printed labels (pcs) and cutting counter.	N/A
Initialization	Restore printer settings to defaults.	N/A
Display Brightness	Set the brightness for display. Range: 0~100.	50
Touchscreen Calibration	Calibrate the touchscreen for best result.	N/A

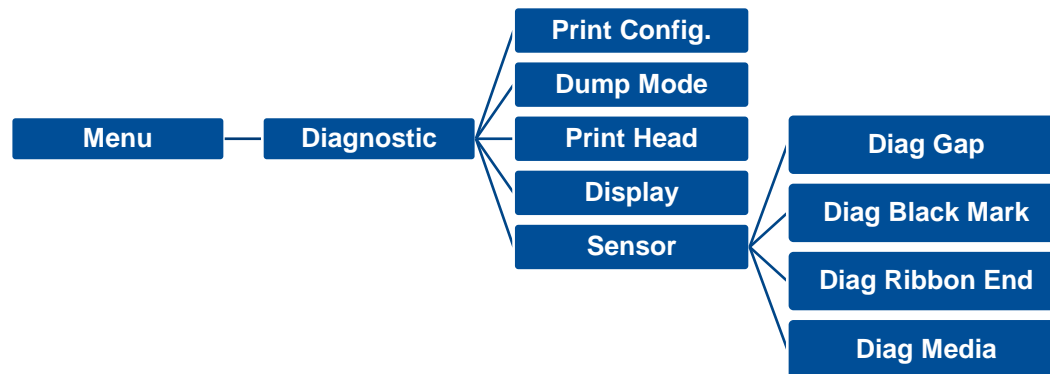
<b>Date &amp; Time</b>	Setup the date and time on display.	<b>N/A</b>
<b>Security</b>	Set the password for locking the menu or favorites. The default password is 8888.	<b>Disable</b>
<b>Cutter Type</b>	Set the cutter type.	<b>Guillotine</b>
<b>Media Low Warning</b>	Set the warning for media low %. if setting value is 10%, media capacity was lower than 10%, the  % will be shown in red.	<b>10%</b>
<b>Ribbon Low Warning</b>	Set the warning for ribbon low. For example, if setting value is 30m, when ribbon capacity was lower than 30m, the  will be shown in red.	<b>30M</b>
<b>Printer Head Maintn</b>	<p>Check print head status and to set the settings for print head care.</p> <p><b>Warning:</b> Enable/disable the print head clean warning. If enable this feature, once print head has been reached the setting mileage then the warning icon will be shown on printer UI for reminding user to clean the print head. The default setting is disable.</p> <p><b>Reset Counter:</b> Reset the print head clean warning mileage after cleaning print head.</p> <p><b>Interval:</b> This item is used to set the expected mileage for reminding user to clean the print head. You have to enable the “TPH warning lock” for use. The default setting is 1 km.</p> <p><b>Key sound:</b> This item is used to enable/disable the sound of front panel buttons.</p>	<b>N/A</b>
<b>Contact us</b>	Check the contact information for tech support service	<b>N/A</b>

## 6.7 File Manager

**File Manager** is used to check the printer available memory, show the files list, delete the files or run the files that saved in the printer DRAM/Flash/Card memory.



## 6.8 Diagnostic



```

DOWNLOA 0D 0A 44 4F 57 4E 4C 4F 4I
D „TEST2. 44 20 22 54 45 53 54 32 2E
DAT“,5,CL 44 41 54 22 2C 35 2C 43 4C
S DOWNLO 53 0D 0A 44 4F 57 4E 4C 4F
AD F,“TES 41 44 20 46 2C 22 54 45 53
T4.DAT“,5 54 34 2E 44 41 54 22 2C 35
,CLS DOW 2C 43 4C 53 0D 0A 44 4F 57
NLOAD „TE 4E 4C 4F 41 44 20 22 54 45
ST2.DAT“, 53 54 32 2E 44 41 54 22 2C
5,CLS DO 35 2C 43 4C 53 0D 0A 44 4F
WNLOAD F, 57 4E 4C 4F 41 44 20 46 2C
„TEST4.DA 22 54 45 53 54 34 2E 44 41
T“,5,CLS 54 22 2C 35 2C 43 4C 53 0D
DOWNLOAD 0A 44 4F 57 4E 4C 4F 41 44
“TEST2.D 20 22 54 45 53 54 32 2E 44
AT“,5,CLS 41 54 22 2C 35 2C 43 4C 53
DOWNLOA 0D 0A 44 4F 57 4E 4C 4F 4I
D F,“TEST 44 20 46 2C 22 54 45 53 54
4.DAT“,5, 34 2E 44 41 54 22 2C 35 2C
CLS 43 4C 53 0D 0A
  
```

### Item

### Description

#### Print Config.

Print current printer configuration to the label. The configuration printout contains print head test pattern, which is useful for checking the dot damage on the print head heater.

#### Dump Mode

Captures the data from the communications port and prints out the data received by printer. In the dump mode, all characters will be printed in 2 columns. The left side characters are received from your system and right side data are the corresponding hexadecimal value of the characters. It allows users or engineers to verify and debug the program.

**Dump mode requires 4” wide paper width.**

#### Print Head

Check print head’s temperature and bad dots.

#### Display

Check LCD’s color state.

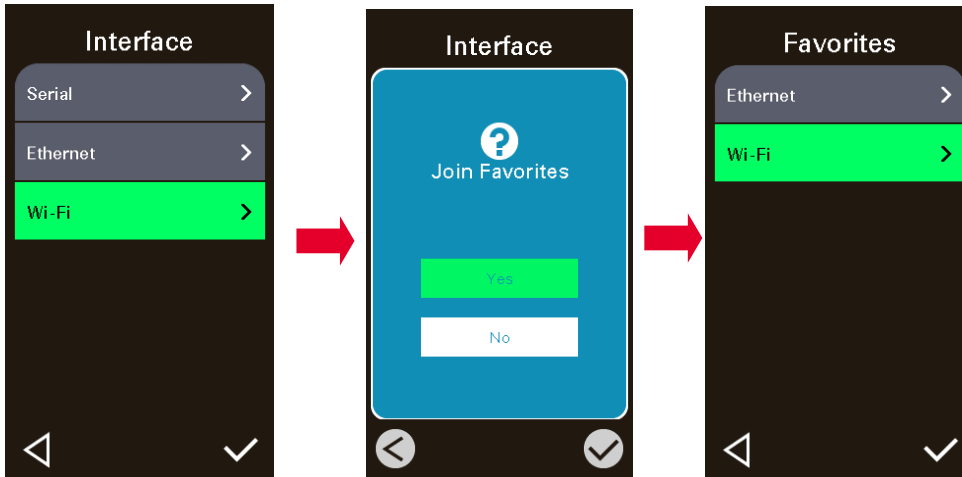
#### Sensor

Check sensors intensity and reading state.

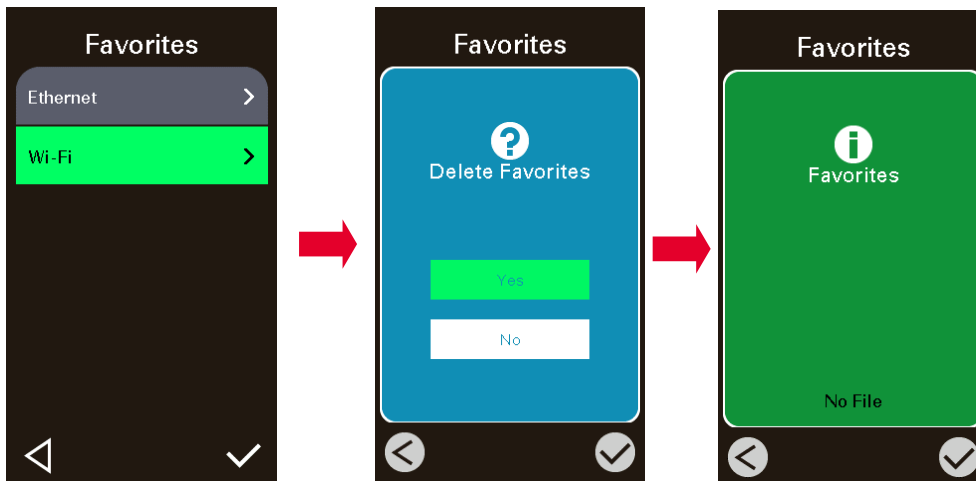
## 6.9 Favorites

**Favorites** helps users build a commonly used list. Arrange the commonly used setting options by **Favorites** .

**Add items:** Touch and hold the item > window of **Join Favorites** will pop up > tap **Yes** to add the item to **Favorites**.



**Delete items:** Touch and hold the item > window of **Delete Favorites** will pop up > tap **Yes** to delete the item.



# 7. Troubleshooting

Problem	Possible Cause	Recovery Procedure
<b>Power indicator does not illuminate</b>	<ul style="list-style-type: none"> <li>■ The power cord is not properly connected.</li> <li>■ The power switch is closed.</li> </ul>	<ul style="list-style-type: none"> <li>■ Plug the power cord in printer and outlet.</li> <li>■ Switch the printer on.</li> </ul>
<b>Carriage Open</b>	<ul style="list-style-type: none"> <li>■ The printer carriage is open.</li> </ul>	<ul style="list-style-type: none"> <li>■ Close the print carriage.</li> </ul>
<b>Not Printing</b>	<ul style="list-style-type: none"> <li>■ Check if interface cable is well connected.</li> <li>■ Check if wireless or Bluetooth device is well connected.</li> <li>■ The port in the Windows driver is not correct.</li> </ul>	<ul style="list-style-type: none"> <li>■ Re-connect cable to interface or change a new cable.</li> <li>■ Reset the wireless device setting.</li> <li>■ Select the correct printer port in the driver.</li> <li>■ Clean the printhead.</li> <li>■ Printhead's harness connector is not well connected with printhead. Turn off the printer and plug the connector again.</li> <li>■ Check your program if there is a command - PRINT at the end of the file and there must have CRLF at the end of each command line.</li> </ul>
<b>No print on the label</b>	<ul style="list-style-type: none"> <li>■ Label or ribbon is loaded not correctly.</li> <li>■ Use wrong type paper or ribbon</li> </ul>	<ul style="list-style-type: none"> <li>■ Follow the instructions in loading the media and ribbon.</li> <li>■ Ribbon and media are not compatible.</li> <li>■ Verify the ribbon-inked side.</li> <li>■ The print density setting is incorrect.</li> </ul>
<b>No Ribbon</b>	<ul style="list-style-type: none"> <li>■ Running out of ribbon.</li> <li>■ The ribbon is installed incorrectly.</li> </ul>	<ul style="list-style-type: none"> <li>■ Supply a new ribbon roll.</li> <li>■ Refer to user's manual to reinstall the ribbon.</li> </ul>
<b>No Paper</b>	<ul style="list-style-type: none"> <li>■ Running out of label.</li> <li>■ The label is installed incorrectly.</li> <li>■ Gap/black mark sensor is not calibrated.</li> </ul>	<ul style="list-style-type: none"> <li>■ Supply a new label roll.</li> <li>■ Refer to user's manual to reinstall the label roll.</li> <li>■ Calibrate the gap/black mark sensor.</li> </ul>
<b>Paper Jam</b>	<ul style="list-style-type: none"> <li>■ Gap/black mark sensor is not set properly.</li> <li>■ Make sure label size is set properly.</li> <li>■ Labels may be stuck inside the printer</li> </ul>	<ul style="list-style-type: none"> <li>■ Calibrate the media sensor.</li> <li>■ Set media size correctly.</li> <li>■ Remove the stuck label inside the printer mechanism.</li> </ul>

	mechanism.	
<b>Take Label</b>	<ul style="list-style-type: none"> <li>Peel function is enabled.</li> </ul>	<ul style="list-style-type: none"> <li>If peeler module is installed, please remove the label.</li> <li>If there is no peeler module in front of the printer, please switch off the printer and install it.</li> <li>Check if the connector is plugging correctly.</li> </ul>
<b>Can't downloading the file to memory (FLASH / DRAM/CARD)</b>	<ul style="list-style-type: none"> <li>The space of memory is full.</li> </ul>	<ul style="list-style-type: none"> <li>Delete unused files in the memory.</li> </ul>
<b>Poor Print Quality</b>	<ul style="list-style-type: none"> <li>Ribbon and media is loaded incorrectly.</li> <li>Dust or adhesive accumulation on the print head.</li> <li>Print density is not set properly.</li> <li>Printhead element is damaged.</li> <li>Ribbon and media are incompatible.</li> <li>The printhead pressure is not set properly.</li> </ul>	<ul style="list-style-type: none"> <li>Reload the supply.</li> <li>Clean the print head.</li> <li>Clean the platen roller.</li> <li>Adjust the print density and print speed.</li> <li>Run printer self-test and check the print head test pattern if there is dot missing in the pattern.</li> <li>Change proper ribbon or proper label media.</li> <li>Adjust the printhead pressure adjustment knob.</li> <li>The release lever does not latch the printhead properly.</li> </ul>
<b>Missing printing on the left or right side of label</b>	<ul style="list-style-type: none"> <li>Wrong label size setup.</li> </ul>	<ul style="list-style-type: none"> <li>Set the correct label size.</li> </ul>
<b>Gray line on the blank label</b>	<ul style="list-style-type: none"> <li>The print head is dirty.</li> <li>The platen roller is dirty.</li> </ul>	<ul style="list-style-type: none"> <li>Clean the print head.</li> <li>Clean the platen roller.</li> <li>(Please refer to chapter 8)</li> </ul>
<b>Irregular printing</b>	<ul style="list-style-type: none"> <li>The printer is in Hex Dump mode.</li> <li>The RS-232 setting is incorrect.</li> </ul>	<ul style="list-style-type: none"> <li>Turn off and on the printer to skip the dump mode.</li> <li>Re-set the RS-232 setting.</li> </ul>
<b>Label feeding is not stable (skew) when printing</b>	<ul style="list-style-type: none"> <li>The media guide does not touch the edge of the media.</li> </ul>	<ul style="list-style-type: none"> <li>If the label is moving to the right side, please move the label guide to left.</li> <li>If the label is moving to the left side, please move the label guide to right.</li> </ul>
<b>Skip labels when printing</b>	<ul style="list-style-type: none"> <li>Label size is not specified properly.</li> </ul>	<ul style="list-style-type: none"> <li>Check if label size is setup correctly.</li> </ul>

	<ul style="list-style-type: none"> <li>■ Sensor sensitivity is not set properly.</li> <li>■ The media sensor is covered with dust.</li> </ul>	<ul style="list-style-type: none"> <li>■ Calibrate the sensor by Auto Gap or Manual Gap options.</li> <li>■ Clear the GAP/Black mark sensor by blower.</li> </ul>
<b>Wrinkle Problem</b>	<ul style="list-style-type: none"> <li>■ Printhead pressure is incorrect.</li> <li>■ Ribbon installation is incorrect.</li> <li>■ Media installation is incorrect.</li> <li>■ Print density is incorrect.</li> <li>■ Media feeding is incorrect.</li> </ul>	<ul style="list-style-type: none"> <li>■ Please refer to the chapter 4.</li> <li>■ Please set the suitable density to have good print quality.</li> <li>■ Make sure the label guide touch the edge of the media guide.</li> </ul>
<b>RTC time is incorrect when reboot the printer</b>	<ul style="list-style-type: none"> <li>■ The battery has run down.</li> </ul>	<ul style="list-style-type: none"> <li>■ Check if there is a battery on the main board.</li> </ul>
<b>The left side printout position is incorrect</b>	<ul style="list-style-type: none"> <li>■ Wrong label size setup.</li> <li>■ The parameter Shift X in LCD menu is incorrect.</li> </ul>	<ul style="list-style-type: none"> <li>■ Set the correct label size.</li> <li>■ Press [Menu] → [Setting] → [Shift X] to fine tune the parameter of Shift X.</li> </ul>
<b>The printing position of small label is incorrect</b>	<ul style="list-style-type: none"> <li>■ Media sensor sensitivity is not set properly.</li> <li>■ Label size is incorrect.</li> <li>■ The parameter Shift Y in the LCD menu is incorrect.</li> <li>■ The vertical offset setting in the driver is incorrect.</li> </ul>	<ul style="list-style-type: none"> <li>■ Calibrate the sensor sensitivity again.</li> <li>■ Set the correct label size and gap size.</li> <li>■ Press [Menu] → [Setting] → [Shift Y] → to fine tune the parameter of Shift Y.</li> <li>■ Set the vertical offset in the driver if you're using BarTender.</li> </ul>
<b>LCD panel is dark and keys are not working</b>	<ul style="list-style-type: none"> <li>■ The cable between main PCB and LCD panel is loose.</li> </ul>	<ul style="list-style-type: none"> <li>■ Check if the cable between main PCB and LCD is secured or not.</li> </ul>
<b>LCD panel is dark but the LEDs are light</b>	<ul style="list-style-type: none"> <li>■ The printer initialization is unsuccessful.</li> </ul>	<ul style="list-style-type: none"> <li>■ Turn OFF and ON the printer again.</li> <li>■ Initialize the printer.</li> </ul>
<b>Ribbon encoder sensor doesn't work</b>	<ul style="list-style-type: none"> <li>■ The ribbon encoder sensor connector is loose.</li> </ul>	<ul style="list-style-type: none"> <li>■ Fasten the connector.</li> </ul>
<b>Ribbon end sensor doesn't work</b>	<ul style="list-style-type: none"> <li>■ The connector is loose.</li> <li>■ The ribbon sensor hole is covered with dust.</li> </ul>	<ul style="list-style-type: none"> <li>■ Check the connector.</li> <li>■ Clear the dust in the sensor hole by the blower.</li> </ul>
<b>Cutter is not working</b>	<ul style="list-style-type: none"> <li>■ The connector is loose.</li> </ul>	<ul style="list-style-type: none"> <li>■ Plug in the connect cable correctly.</li> </ul>



## 8. Maintenance

This session presents the clean tools and methods to maintain the printer.

### ■ For Cleaning

Depending on the media used, the printer may accumulate residues (media dust, adhesives, etc.) as a by-product of normal printing. To maintain the best printing quality, you should remove these residues by cleaning the printer periodically. Regularly clean the print head and supply sensors once change a new media to keep the printer at the optimized performance and extend printer life.

### ■ For Disinfecting

Sanitize your printer to protect yourself and others and can help prevent the spread of viruses.

### ■ Important

- Set the printer power switch to O (Off) prior to performing any cleaning or disinfecting tasks. Leave the power cord connected to keep the printer grounded and to reduce the risk of electrostatic damage.
- Do not wear rings or other metallic objects while cleaning any interior area of the printer.
- Use only the cleaning agents recommended in this document. Use of other agents may damage the printer and void its warranty.
- Do not spray or drip liquid cleaning solutions directly into the printer. Apply the solution on a clean lint-free cloth and then apply the dampened cloth to the printer.
- Do not use canned air in the interior of the printer as it can blow dust and debris onto sensors and other critical components.
- Only use a vacuum cleaner with a nozzle and hose that are conductive and grounded to drain off static build up.
- All reference in these procedures for use of isopropyl alcohol requires that a 99% or greater isopropyl alcohol content be used to reduce the risk of moisture corrosion to the printhead.
- Do not touch printhead by hand. If you touch it carelessly, please use 99% Isopropyl alcohol to clean it.
- Always taking personal precaution when using any cleaning agent.

## Cleaning Tools

- Cotton swab
- Lint-free cloth
- Brush with soft non-metallic bristles
- Vacuum cleaner
- 75% Ethanol (for disinfecting)
- 99% Isopropyl alcohol (for printhead and platen roller cleaning)
- Genuine printhead cleaning pen
- Mild detergent (without chlorine)

## Cleaning Process:

Printer Part	Method	Interval
<b>Print Head</b>	<ol style="list-style-type: none"> <li>I. Always turn off the printer before cleaning the printhead.</li> <li>II. Allow the printhead to cool for at least one minute.</li> <li>III. Use a cotton swab and 99% Isopropyl Alcohol or genuine print head cleaning pen to clean the print head surface.</li> </ol>	Clean the print head when changing a new label roll.
<b>Platen Roller</b>	<ol style="list-style-type: none"> <li>I. Turn off the printer.</li> <li>II. Rotate the platen roller and wipe it thoroughly with the lint-free 99% Isopropyl Alcohol.</li> </ol>	Clean the platen roller when changing a new label roll
<b>Peel Bar</b>	Use the lint-free cloth with 99% Isopropyl Alcohol to wipe it.	As needed
<b>Sensor</b>	Use brush with soft non-metallic bristles or a vacuum cleaner, to remove paper dust. Clean upper and lower media sensors to ensure reliable Top of Form and Paper Out sensing.	Monthly
<b>Exterior</b>	Clean the exterior surfaces with a clean, lint-free cloth (water-dampened cloth). If necessary, use a mild detergent or desktop cleaning solution then use the 75% Ethanol to wipe it.	As needed
<b>Interior</b>	Clean the interior of the printer by removing any dirt and lint with a vacuum cleaner, as described above, or use a brush with soft non-metallic bristles then use the 75% Ethanol to wipe it.	As needed

## 9. Agency Compliance and Approvals

### Note:

There may be certification differences in the series models, please refer to product label for accuracy.



EN 55032, Class A

EN 55024

EN 55035

EN 62368-1

**This is a class A product. In a domestic environment this product may cause radio interference in which case the user may be required to take adequate measures.**



FCC part 15B, Class A

ICES-003, Class A

This equipment has been tested and found to comply with the limits for a Class A digital device, pursuant to Part 15 of the FCC Rules. These limits are designed to provide reasonable protection against harmful interference when the equipment is operated in a commercial environment.

This equipment generates, uses, and can radiate radio frequency energy and, if not installed and used in accordance with the manufacturer's instruction manual, may cause harmful interference with radio communications. Operation of this equipment in a residential area is likely to cause harmful interference, in which case you will be required to correct the interference at your own expense.

This Class A digital apparatus complies with Canadian ICES-003.

Cet appareil numérique de la classe A est conform à la norme NMB-003 du Canada.

This device complies with Part 15 of the FCC Rules. Operation is subject to the following two

conditions: (1) This device may cause harmful interference, and (2) this device must accept any interference received, including interference that may cause undesired operation.



AS/NZS CISPR 22, Class A



UL 60950-1 (2nd Edition)  
CSA C22.2 No. 60950-1-07 (2nd Edition)  
UL 62368-1, 2nd Edition  
CAN/CSA C22.2 No. 62368-1-14, 2nd Edition



Energy Star for Imaging Equipment Version 3.0

**Mexico  
Registration**

UL 60950-1



EN 62368-1



KN 32  
KN 35  
KN 60950-1

이 기기는 업무용(A 급) 전자파적합기기로서 판매자 또는 사용자는 이 점을 주의하시기 바라며,  
가정외의 지역에서 사용하는 것을 목적으로 합니다.



GB 4943.1  
GB 9254, Class A  
GB 17625.1

此为 A 级产品，在生活环境中，该产品可能会造成无线电干扰，  
在这种情况下，可能需要用户对干扰采取切实可行的措施。



IS 13252(Part 1)/  
IEC 60950-1



TP TC 004  
TP TC 020



CNS 13438  
CNS 14336-1  
CNS 15663



IEC 60950-1

**Important safety instructions:**

1. Read all of these instructions and keep them for later use.
2. Follow all warnings and instructions on the product.

3. Disconnect the power plug from the AC outlet before cleaning or if fault happened.  
Do not use liquid or aerosol cleaners. Using a damp cloth is suitable for cleaning.
4. The mains socket shall be installed near the equipment and easily accessible.
5. The unit must be protected against moisture.
6. Ensure the stability when installing the device, Tipping or dropping could cause damage.
7. Make sure to follow the correct power rating and power type indicated on marking label provided by manufacture.
8. Please refer to user manual for maximum operation ambient temperature.



**WARNING:**

Moving parts, keep fingers and other body parts away.

**CAUTION:**

(For equipment with RTC (CR2032) battery or rechargeable battery pack)

Risk of explosion if battery is replaced by an incorrect type.

Dispose of used batteries according to the Instructions as below.

1. DO NOT throw the battery in fire.
2. DO NOT short circuit the contacts.
3. DO NOT disassemble the battery.
4. DO NOT throw the battery in municipal waste.
5. The symbol of the crossed out wheeled bin indicates that the battery should not be placed in municipal waste.



**CAUTION:**

Hot surface for printhead. Do not touch the printhead before it cooling.

**WARNING:**

Remove the power from AC inlet before opening the media cover for cleaning or repairing faults. After cleaning or fixing faults, media cover closing before power connecting to AC inlet.

**CAUTION:**

Any changes or modifications not expressly approved by the grantee of this device could void the user's authority to operate the equipment.

**CE Statement:**

This equipment complies with EU radiation exposure limits set forth for an uncontrolled environment. This equipment should be installed and operated with minimum distance 20 cm between the radiator & your body.

All operational modes:

2.4GHz: 802.11b, 802.11g, 802.11n (HT20), 802.11n (HT40)

5GHz: 802.11a, 802.11ac.

The frequency, mode and the maximum transmitted power in EU are listed below:

2412 MHz – 2472 MHz: 19.72 dBm (EIRP)(Wi-Fi)

5180 MHz – 5700 MHz: 22.5 dBm (EIRP)(Wi-Fi)

2402 MHz – 2480 MHz: 7.4 dBm (EIRP)(Bluetooth)

2402 MHz – 2480 MHz: 2.35 dBm (EIRP)(Bluetooth-BLE)

Requirements in

AT/BE/BG/CZ/DK/EE/FR/DE/IS/IE/IT/EL/ES/CY/LV/LI/LT/LU/HU/MT/NL/NO/PL/PT/RO/SI/SK/TR/FI/SE/CH/UK/HR.

5150MHz~5350MHz is for indoor use only.

5150-5350MHz for Only indoor use

5470-5725MHz for indoor/outdoor use



Restrictions In AZE

National restrictions information is provided below

Frequency Band	Country	Remark
5150-5350MHz	Azerbaijan	No license needed if used indoor and power not exceeding 30mW
5470-5725MHz		

Hereby, TSC Auto ID Technology Co., Ltd. declares that the radio equipment type [Wi-Fi] IEEE 802.11 a/b/g/n/ac is in compliance with Directive 2014/53/EU

The full text of the EU declaration of conformity is available at the following internet address:

<http://www.tscprinters.com/cms/theme/index-39.html>

### **Canada, Industry Canada (IC) Notices**

This Class B digital apparatus complies with Canadian ICES-003 and RSS-210.

Operation is subject to the following two conditions: (1) this device may not cause interference, and (2) this device must accept any interference, including interference that may cause undesired operation of the device.

### **Radio Frequency (RF) Exposure Information**

The radiated output power of the Wireless Device is below the Industry Canada (IC) radio frequency exposure limits. The Wireless Device should be used in such a manner such that the potential for human contact during normal operation is minimized.

### **Canada, avis de l'Industry Canada (IC)**

Cet appareil numérique de classe B est conforme aux normes canadiennes ICES-003 et RSS-210.

Son fonctionnement est soumis aux deux conditions suivantes : (1) cet appareil ne doit pas causer d'interférence et (2) cet appareil doit accepter toute interférence, notamment les interférences qui peuvent affecter son fonctionnement.



### **NCC 警語:**

經型式認證合格之低功率射頻電機，非經許可，公司、商號或使用者均不得擅自變更頻率、加大功率或變更原設計之特性及功能。(即

低功率電波輻射性電機管理辦法第十二條)

低功率射頻電機之使用不得影響飛航安全及干擾合法通信；經發現有干擾現象時，應立即停用，並改善至無干擾時方得繼續使用。

前項合法通信，指依電信法規定作業之無線電通信。低功率射頻電機須忍受合法通信或工業、科學及醫療用電波輻射性電機設備之干

擾。(即低功率電波輻射性電機管理辦法第十四條)

### **BSMI Class A 警語:**

這是甲類的資訊產品，在居住的環境使用中時，可能會造成射頻干擾，在這種情況下，使用者會被要求採取某些適當的對策。

單元Unit	限用物質及其化學符號 Restricted substances and its chemical symbols					
	鉛Lead (Pb)	汞Mercury (Hg)	鎘Cadmium (Cd)	六價鉻 Hexavalent chromium (Cr <sup>+6</sup> )	多溴聯苯 Polybrominated biphenyls (PBB)	多溴二苯醚 Polybrominated diphenyl ethers (PBDE)
內外塑膠件	○	○	○	○	○	○
內外鐵件	-	○	○	○	○	○
滾輪	○	○	○	○	○	○
銘版	○	○	○	○	○	○
電路板	-	○	○	○	○	○
晶片電阻	-	○	○	○	○	○
積層陶瓷表面黏著電容	○	○	○	○	○	○
集成電路-IC	-	○	○	○	○	○
電源供應器	○	○	○	○	○	○
印字頭	-	○	○	○	○	○
馬達	-	○	○	○	○	○
液晶顯示器	-	○	○	○	○	○
插座	-	○	○	○	○	○
線材	-	○	○	○	○	○

備考 1. “超出 0.1 wt %” 及 “超出 0.01 wt %” 係指限用物質之百分比含量超出百分比含量基準值。

Note 1 : “Exceeding 0.1 wt %” and “exceeding 0.01 wt %” indicate that the percentage content of the restricted substance exceeds the reference percentage value of presence condition.

備考 2. “○” 係指該項限用物質之百分比含量未超出百分比含量基準值。

Note 2 : “○” indicates that the percentage content of the restricted substance does not exceed the percentage of reference value of presence.

備考 3. “-” 係指該項限用物質為排除項目。

Note 3 : The “-” indicates that the restricted substance corresponds to the exemption.

## 10. Revision History

Date	Content	Editor
2023/08/10	Removed CD disk from the packing list, page 4.	Peter Yao

**TSC** **PRINTRONIX**<sup>®</sup>  
**AUTO ID**